

# PRODUCT CATALOG

---



**BARN**TALK®

Reliable Alarms.  
Instant Connectivity.  
Easy Setup.

# BARNTALK GATEWAY

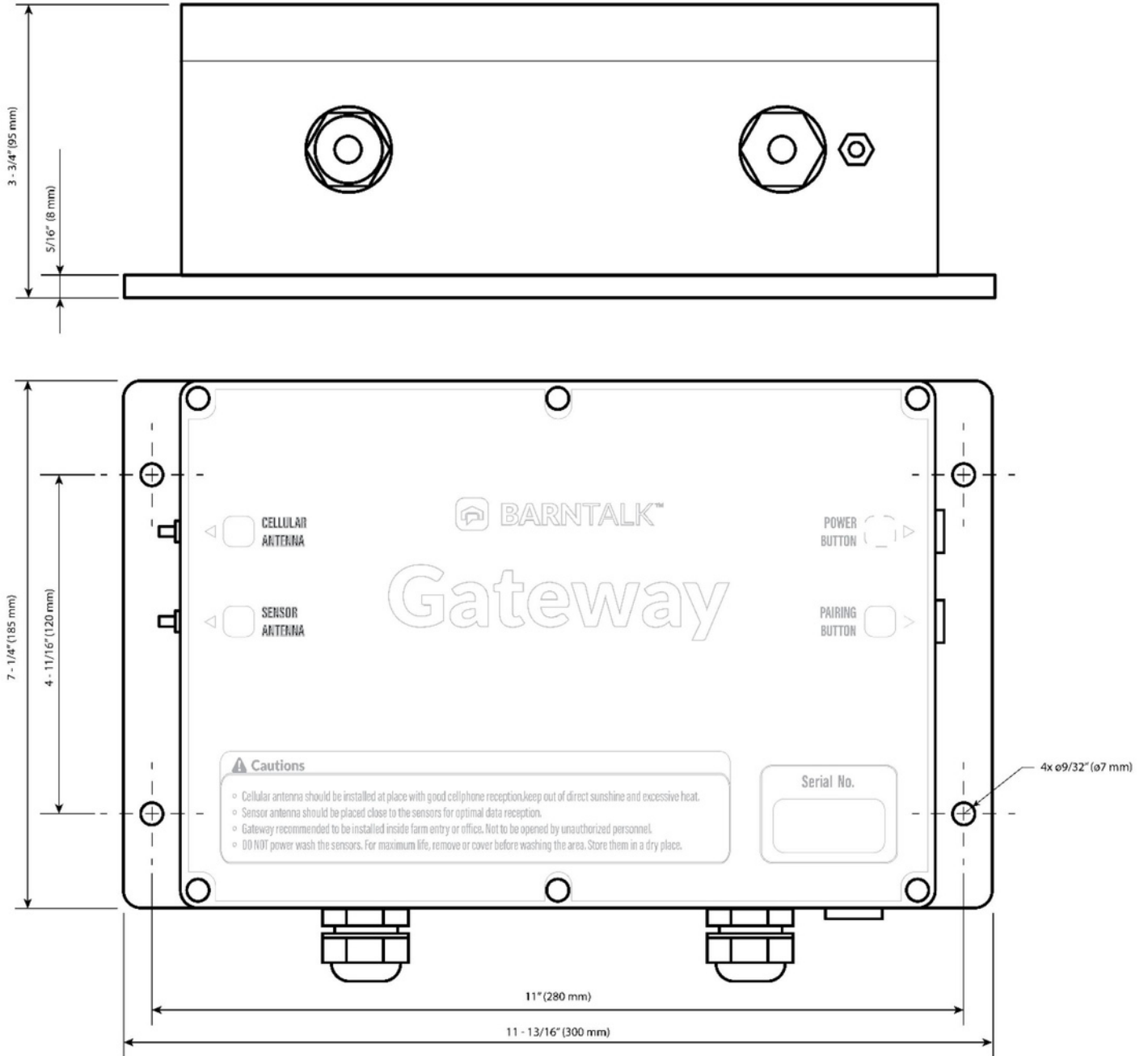
## Technical Specifications

Type	Description
Model	BT-GW-01-00 (110V, US) or BT-GW-02-00 (5V, CAN)
Size/Weight	10 ½ x 7 x 4 inch / 265 x 185 x 95mm 1.75 lbs / 800 g
Protection Level	IP65
Power Supply	BT-GW-01-00: 100-220V AC BT-GW-02-00: 4.35 – 5.5 V, 280 mA
Power Consumption	1.25 Watts
Battery Backup	Built in Lithium Ion cell type 18650 (2600 mAh) up to 24 hours
Working Environment	Temperature: 23 °F ~ 122 °F / - 5 °C ~ 50 °C Relative Humidity: 0 ~ 99.9% RH with no condensation
Cellular Communication	Multi carrier, LTE Cat 4, M2M, IoT module optimized applications Worldwide
WAN	LTE, UMTS/HSPA(+) and GSM/GPRS/EDGE High Sensitivity 915 ISM frequency band LoRa Module
Case Material	ABS Plastic
Installation	Wall Mount

**Price: \$1,349**



# Gateway Dimensions



## WIRELESS INDOOR TEMPERATURE SENSOR



Type	Description
Model	BT-TS-01-00
Measure Range	14 °F ~ 122 °F / -40 °C to 75 °C
Accuracy	±1 °F / 0.5 °C
Resolution	0.2 °F / 0.1 °C
Power Supply	Disposable Lithium Battery
Battery Life	Up to 2.5 years
Working Environment	Temperature: 14 °F ~ 122 °F / -10 °C ~ 50 °C Relative Humidity: 0 ~ 99.9% RH with no condensation
WAN	High Sensitivity 915 ISM frequency band LoRa Module
Protection Level	IP65
Shell Material	Nylon Plastic
Size	Ø 3 x 6 ¼ inch / Ø72*280 mm
Weight	0.5 lbs / 252 g
Installation	Free Hanging

**Price: \$225**

## WIRELESS OUTDOOR TEMPERATURE SENSOR



Type	Description
Model	BT-TS-02-00
Measure Range	-22 °F ~ 122 °F / -30 °C ~ 50 °C
Accuracy	±1 °F / 0.5 °C
Resolution	0.2 °F / 0.1 °C
Power Supply	Disposable Lithium Battery
Battery Life	Up to 2.5 years
Working Environment	Temperature: -22 °F ~ 122 °F / -30 °C ~ 50 °C Relative Humidity: 0 ~ 99.9% RH with no condensation
WAN	High Sensitivity 915 ISM frequency band LoRa Module
Protection Level	IP65
Shell Material	Nylon Plastic
Size	Ø 3 x 6 ¼ inch / Ø72*280 mm
Weight	0.5 lbs / 252 g

**Price: \$225**

## WIRELESS HUMIDITY SENSOR



Type	Description
Model	BT-TS-03-00
Measure Range	0% ~ 99.9%
Accuracy	± 2%
Resolution	0.1 %
Power Supply	Disposable Lithium Battery
Battery Life	Up to 2 years
Working Environment	Temperature: 14 °F ~ 122 °F / -10 °C ~ 50 °C Relative Humidity: 0 ~ 99.9% RH with no condensation
WAN	High Sensitivity 915 ISM frequency band LoRa Module
Protection Level	IP65
Shell Material	Nylon Plastic
Size	Ø 3 x 6 ¼ inch / Ø72*280 mm
Weight	0.5 lbs / 252 g

**Price: \$225**

## WIRELESS DRY CONTACT SENSOR – SQUARE



Monitor Generators, Water Pressure, Ventilation, Contollers, Feed Lines, Power at the Barn/House Level, Power at the Room Level, and More



External Power Supply included

Type	Description
Model	BT-DC-01-00
Measurements	Power ON/OFF
Dry Contacts	DIN 1 Open/Closed; DIN 2 Open/Closed
Response Time	10 seconds
Power Supply	110-220 Supply Input 3.3 Volts Output (Comes with 2-prong plug-in for standard 110V outlet)
Battery Life	Up to 1 year on full charge
Working Environment	Temperature: 14 °F ~ 122 °F / -10 °C ~ 50 °C Relative Humidity: 0 ~ 99.9% RH with no condensation
WAN	High Sensitivity 915 ISM frequency band LoRa Module
Protection Level	IP65
Shell Material	Nylon Plastic
Size	Ø 3 x 6 ¼ inch / Ø72*280 mm
Weight	0.5 lbs / 252 g

**Price: \$324**

# WIRELESS FEED BIN SENSOR



Type	Description
Model	BT-FS-01-00
Measurement Range	12' Diameter, up to 33ft (10m)
Accuracy	±95% of load cells
Camera	3D camera + emitter 38,000 pixels resolution
Power Supply	Solar + Lithium iron phosphate Battery
Battery Life	Up to 5 years
Working Environment	Temperature: -13°F~122°F / -25°C~50°C
Wireless Communication	915Mhz frequency band LoRa Module
Cable	4 ft long (Camera to Solar Comm Box)
Protection Level	IP66
Sensor Material	Poly Carbonate
Weight	1.5 pounds
Size	Camera Sensor 7" × 5" × 3"   Solar Comm Box = 6" × 5" × 2"

**Price: \$1,099**

# WIRELESS WATER METER

## Technical Specifications

Type	Description				
Size	1/2"	3/4"	1"	1 1/4"	1 1/2"
Nominal Flow (GPM)	12	20	30	50	80
Max Flow (GPM)	13.7	22.0	34.7	55.0	88.1
Min Flow (GPM)	0.04	0.07	0.11	0.18	0.29
Accuracy	+/- 0.2% between Min and Max Flow				
Maximum Pressure Rating	225 psi				
Power Supply	Permanent Lithium Battery				
Battery Life	Up to 8 years				
Working	Temperature: 14 °F ~ 122 °F / -10 °C ~ 50 °C				
Environment WAN	High Sensitivity 915 ISM frequency band LoRa				
Protection Level	Module IP68				
Pipe Material	Brass or 301 Stainless				
Shell Material	Nylon Plastic				
Size	See Table				
ISO Standard	Confirm to ISO standard: ISO4064: 2014				

### Prices:

1/2"- \$249

3/4"- \$299

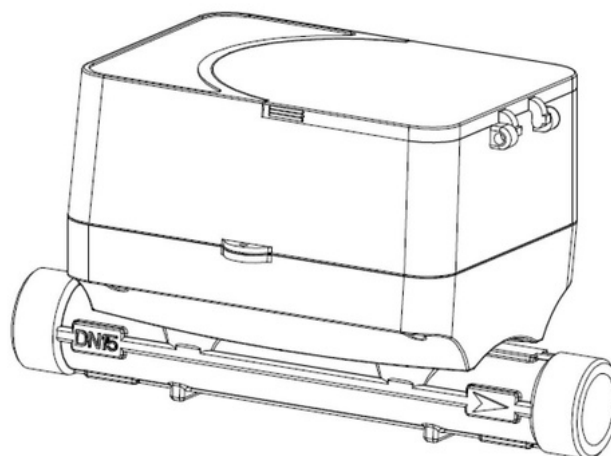
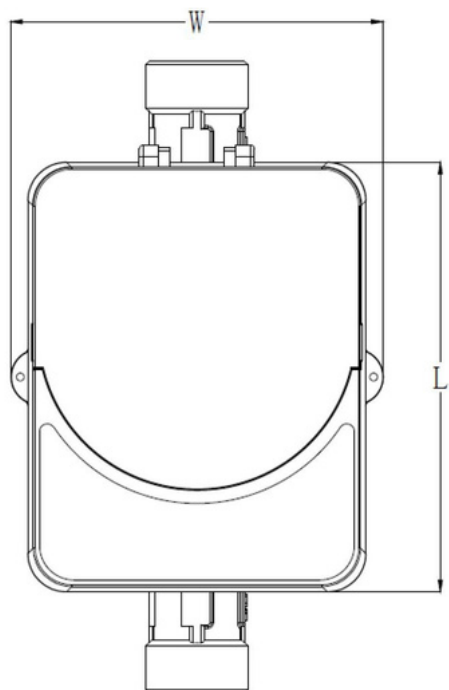
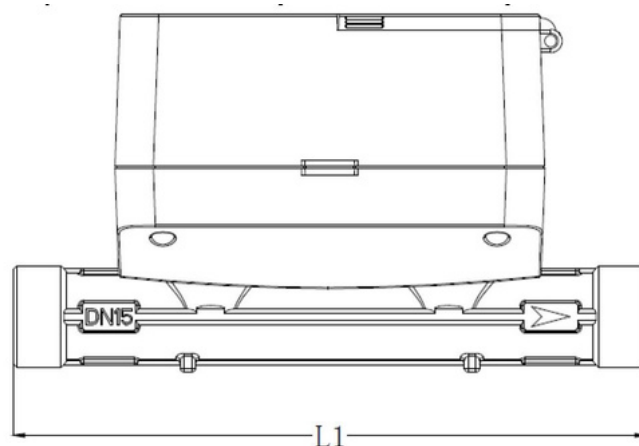
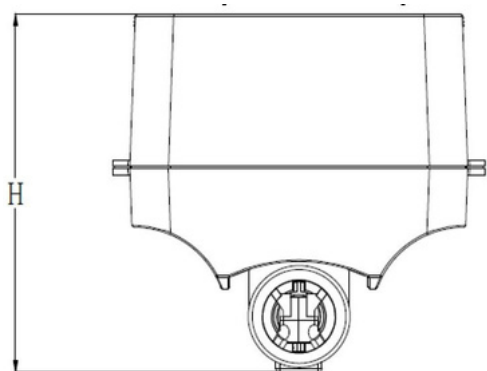
1"- \$349

1 1/4"- \$449

1 1/2"- \$549



## Water Meter Dimensions



Size	Thread	US Nominal	L(in)	L1(in)	H(in)	W(mm)
½"	G¾B	½"NPT	4.59	6.50	3.80	3.82
¾"	G1B	¾"NPT	4.59	7.68	3.80	3.82
1"	G1¼B	1"NPT 1	4.59	8.86	4.21	3.82
1 ¼"	G1½B	¾"NPT 1	4.59	7.09	4.33	3.82
1 ½"	G2B	½"NPT	4.59	7.87	4.53	3.82





**BARN**TALK®

Call **515-220-2893** or visit  
**[go.barntools.com/catalog](https://go.barntools.com/catalog)**  
to learn more.