



Regolo Zero

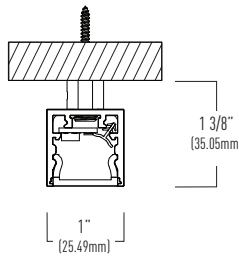
RRZERO-D

Surface
DIRECT
 Light Distribution



The Regolo Zero direct surface mount creates ideal lighting conditions for a multitude of spaces. Offered in a sub 1-inch aperture utilizing a directional light distribution and various mounting options.

- **Sub 1" aperture extruded acrylic lens**
- **Available in 3 standard paint finishes and custom colors**
- **Tool free installation with the engineered NuLoc™ joining system**
- **Connect using pivot and curved connectors (Reference RZERO Shapes Specification Sheet)**
- **Configure into linear rows, complex patterns and individual geometric shapes**



Standard Individual Fixture Lengths*

- 2' (609 mm)
- 3' (914 mm)
- 4' (1219 mm)
- 5' (1524 mm)
- 6' (1828 mm)
- 7' (2133 mm)
- 8' (2438 mm)

ORDERING INFORMATION / Example: RRZERO-D-FF-08-L35-UNV-FEC-D-11-WH-T1RW-4

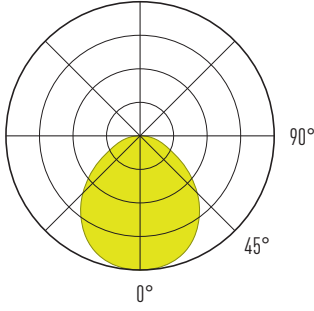
| RRZERO | | | | | | |
|--|--------------|--|----------------------|---|--|---|
| SERIES | DISTRIBUTION | SHIELDING | Lens Type | LUMEN PACKAGE | CRI/ CCT | END CAPS |
| RRZERO - Regolo Zero 1" Wide, 1" Tall, Direct Remote Surface Mount | D - Direct | FF - Frosted Flush Lens BF - Black Flush Lens | CL - Continuous Lens | 03 - 300 lm/ft 04 - 400 lm/ft 05 - 500 lm/ft 08 - 800 lm/ft | L30 - 80 CRI, 3000K L35 - 80 CRI, 3500K L40 - 80 CRI, 4000K H30 - 90 CRI, 3000K H35 - 90 CRI, 3500K H40 - 90 CRI, 4000K | FEC - Flat End Cap REC - Round End Cap SEC - Square Rotating End Cap |
| | | | | *Fixture specified with Black Flush Lens (BF) are only available in 03 and 04 lumen packages. | | *Fixture rows specified with Square Rotating End Caps (SEC) are joined together using the Pivot Joint (PJ) see details on page 4. |

| VOLTAGE | DRIVER (REMOTE) | CIRCUITING / EMERGENCY OPTIONS | | | FIXTURE FINISH |
|---|---|---|---|---|--|
| UNV - Universal 120V - 277V 120V - 120V 277V - 277V | Dimming 0-10V D - Dim to 1% (Standard) DO - Dim to 1%, Fade to Off DO2 - Eldoled Solodrive, Dim to 0% LUTRON - See options on page 2 DALI Dimming ELE - Eldoled Ecodrive, Dim to 1% ELS - Eldoled Solodrive, Dim to 0% | Qty of Power Circuits 1 - 1 Power | Qty of Control Circuits 1 - 1 Circuit | Options (Remote) B10 - 10 Watt Battery Pack (CEC Compliant) B14 - 14 Watt Battery Pack (CEC Compliant) B15 - 15 Watt Battery Pack (CEC Compliant) GTD - Generator Transfer Device (120V or 277V) EM - Dedicated Emergency Circuit | WH - White Painted Finish SV - Silver Painted Finish BK - Black Painted Finish CC - Custom Color Painted Finish |

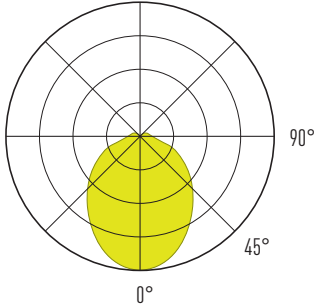
| MOUNTING | LINEAR LENGTH |
|---|---|
| Structure Type (Remote Driver Power Supply) T1R - 1" Ceiling Grid, Surface Grid Mount (Remote "Grid" Driver Enclosure) T9R - 9/16" Ceiling Grid, Surface Grid Mount (Remote "Grid" Driver Enclosure) TSR - Slot Ceiling Grid, Surface Grid Mount (Remote "Grid" Driver Enclosure) RR - Structure Mount, Surface Mount (Remote "Grid" Driver Enclosure) RRC - Structure Mount, Surface Mount With Cover Plate (Remote "Grid" Driver Enclosure) | 2 - 24" 3 - 36" 4 - 48" 5 - 60" 6 - 72" 7 - 84" 8 - 96" XX - Specify continuous run lengths in 1" increments |
| Mounting Hardware Finish W - White Canopies and Mounting B - Black Canopies and Mounting S - Silver Canopies and Mounting (RRC Mounting Only) CC - Custom Color Canopies and Mounting (RRC Mounting Only) | |

PHOTOMETRICS

*LUMEN OUTPUT MAY VARY. 3500K / 80 CRI USED FOR RESULTS.



| FF - Frosted Flush Lens | | | |
|-------------------------|---------------|--------------|-----------------|
| PACKAGE | Lumens per ft | Watts per ft | Lumens per watt |
| 03 | 293.9 | 3.022 | 97 |
| 05 | 506.4 | 5.242 | 97 |
| 08 | 808.4 | 8.875 | 91 |



| BF - Black Flush Lens | | | |
|-----------------------|---------------|--------------|-----------------|
| PACKAGE | Lumens per ft | Watts per ft | Lumens per watt |
| 03 | 301.8 | 8.190 | 37 |
| 04 | 397.6 | 10.974 | 36 |

DRIVER INFORMATION

| NULITE CAT# | DRIVER MANUFACTURER / SERIES | DIMMING / CONTROL PROTOCOL | DIM RANGE | NOTES/ DESCRIPTION |
|-------------|--|----------------------------|--|--|
| D | Signify Xitanium, Osram OTI | 0-10v | 100% -1% | Standard Nulite driver, base fixture price |
| D0 | Signify Xitanium, Osram OTI | 0-10v | 100% - 1% (Steps from 1% to 0% or OFF) | Standard Nulite driver, base fixture price |
| D02 | Eldoled Solodrive | 0-10v | 100% - 0% | Logarithmic Dimming Curve |
| L11 | Lutron Hi-Lume Premier (PEQ0E) Max lumen package 03 | 0-10v | 100% - 0.1% | Hi-lume Premier 0.1% EcoSystem LED driver with Soft-on, Fade-to-Black dimming technology |
| L15 | Lutron Hi-Lume Series (LDE1) | 0-10v | 100% - 1% | Hi-Lume 1% EcoSystem LED driver with Soft-on, Fade-to-Black dimming technology |
| ELE | Eldoled Ecodrive | DALI | 100% - 1% | Logarithmic Dimming Curve |
| ELS | Eldoled Solodrive | DALI | 100% -0% | Logarithmic Dimming Curve |

FIXTURE FINISH



Regolo Zero is available in three standard powder coat painted finishes including White Painted Finish (WH), Silver Painted Finish (SV), Black Painted Finish (BK) and Custom Color Painted Finish (CC).



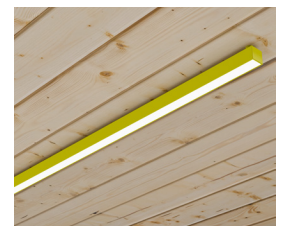
WH - White Painted Finish



SV - Silver Painted Finish

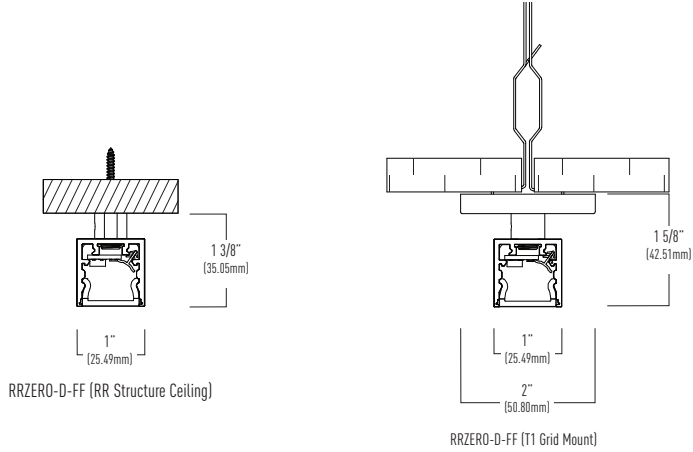


BK - Black Painted Finish



CC - Custom Color Painted Finish

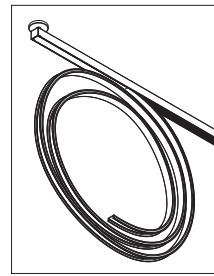
CROSS SECTIONS



SHIELDING



CONTINUOUS LENS



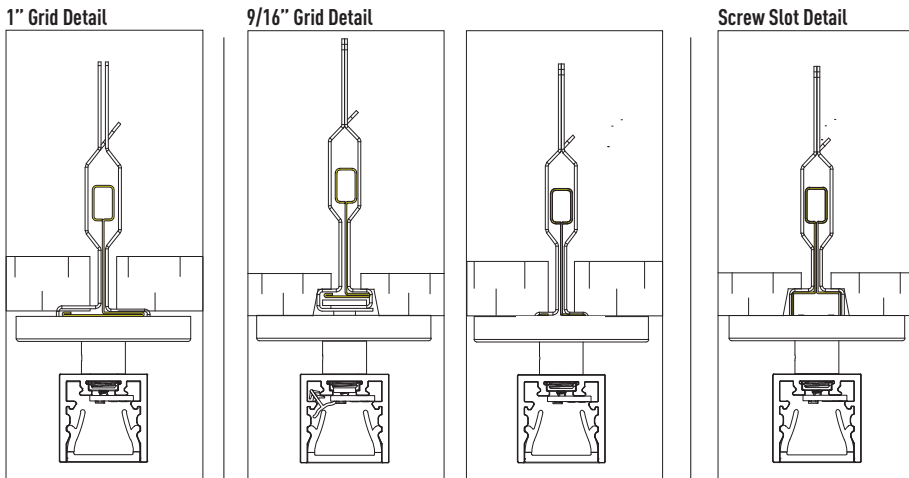
Continuous Lens (CL)

The Regolo Zero series is available with a continuous lens option that eliminates lens gaps and provides seamless uniform illumination for linear lengths up to 40'.

END CAPS



T-BAR MOUNTING



Standard Tile - 1-1/2" "T" height & supported by grid hook extension

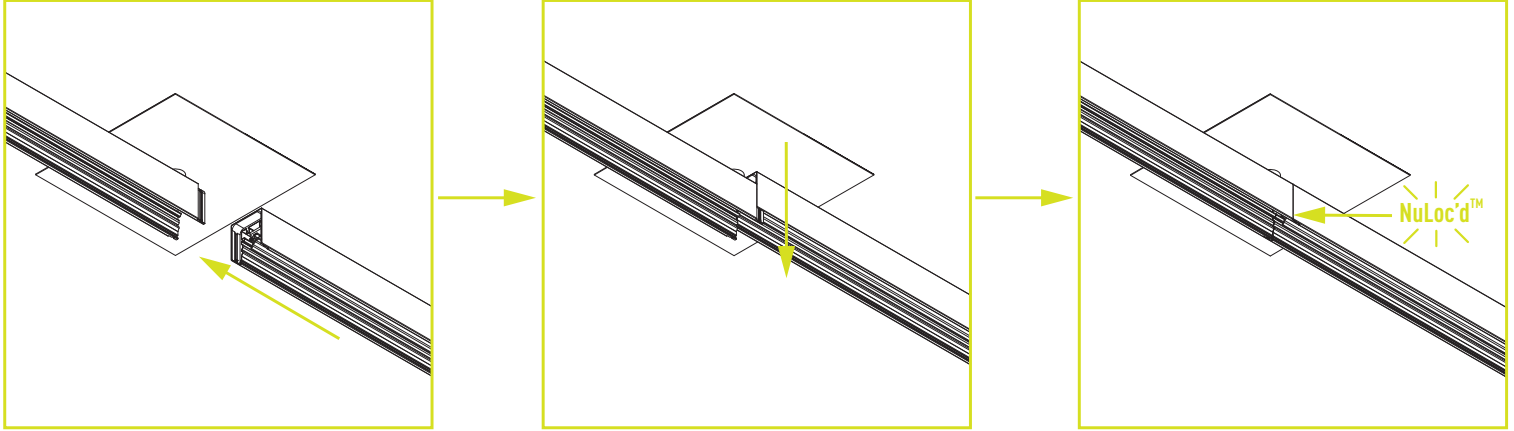
Tegular Tile

Standard Tile

Tegular Tile



Introducing the latest in linear LED lighting innovation: Regolo Zero is Nulite's first fixture series to feature the groundbreaking NuLoc™ joining technology. This revolutionary design redefines how lighting fixtures connect and perform, offering unparalleled functionality and aesthetic appeal.



Effortless Integration

The innovative NuLoc™ system eliminates the need for hardware or tools, simplifying installation while preserving design integrity.

Flawless Aesthetics

Seamlessly connect fixtures for continuous runs, unique configurations, and intricate shapes, all without compromising light quality.

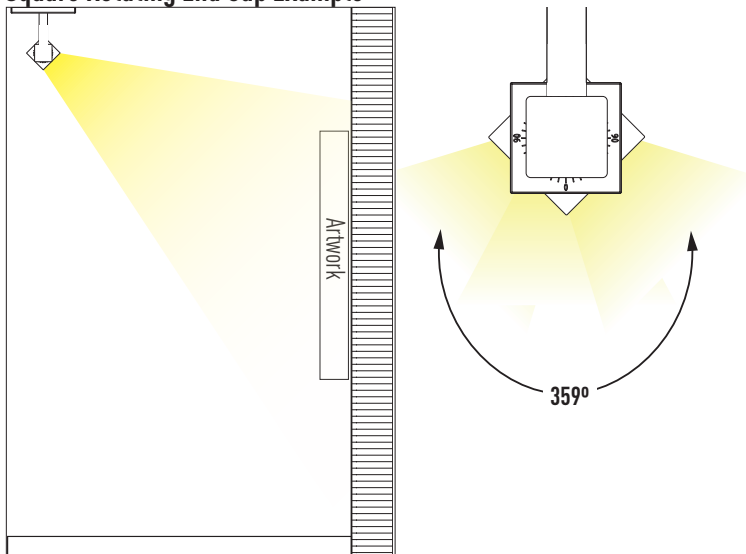
Zero Light Leaks

Achieve a monolithic appearance, uniform illumination with precision-engineered lensing for a polished, professional look.

SQUARE ROTATING END CAP AIMING DETAIL

Freely adjust luminaries directional distribution with 359° of rotational tilt between mounting points. Secure desired beam angle using set screws.

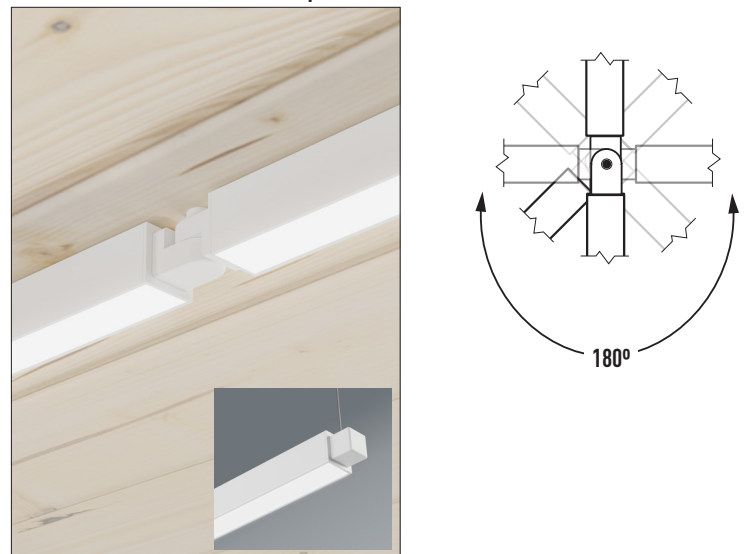
Square Rotating End Cap Example



PIVOT JOINT (PJ)

Create continuous runs using the Pivot Joint. Each individual fixture configured into rows rotate independent between Square Rotating End Caps (SEC).

Pivot Joint Continuous Row Example



PRODUCT SPECIFICATIONS AND INFORMATION

HOUSING CONSTRUCTION

Luminaire housing is up to 70% recycled content constructed of extruded aluminum with machined aluminum or die cast zinc end caps. All hardware is stainless steel. Row and pivot joint components are machined or die cast aluminum.

Remote grid mounted driver enclosures (**T1R/T9R/TSR**) and canopy integrated power supply (**GP**) are constructed out of die-formed galvanized steel.

LEDS AND OPTICAL SYSTEM

Frosted Flush Lenses (**FF**) and Black Flush Lenses (**BF**) are co-extruded frosted acrylic with matte white reflector for even illumination.

Regolo Zero LA Series (**55B/55W/65B/65W**) low glare optic system offer beam patterns from 55° -65° and asymmetric distributions, utilizing optical grade acrylic TIR lenses.

STANDARD DIMMING LED DRIVERS

Standard constant current remote electronic 0-10v dimming input. Two standard driver options are available. Option (**D**) dims to 1% and option (**DO**) dims to 0% or OFF (the final 1 percent is a "step"). Both options are the same price and representative of the base fixture price. Options (**D**) and (**DO**) ship with 5 wires (Line Voltage- Black and White Wires, Low Voltage- Purple and Pink Wires, Ground- Green Wire)

DALI DRIVERS

Standard constant current DALI drivers available in either a dim to 1% (**ELE**) or dim to 0% (**ELS**). DALI fixtures ship with 5 wires (Line Voltage- Black and White Wires, Low Voltage- Purple and Pink Wires, Ground- Green Wire)

LIGHT OUTPUT

Standard factory set light outputs are programmed to within +/- 5% of the nominal light level at 3500K 80 CRI LEDs. Light output, wattage, and efficacy will vary across different CRI's CCT's. Refer to ies files on the website for actual detailed lighting performance data.

CIRCUITING

Each luminaire may have up to 1 line voltage (Power) circuits and 1 low voltage (Control) circuits. Two power circuits are required for independent control of left and right sections in linear luminaires, and low voltage control circuits are required for independent dimming of each circuit.

Examples:

- "1-1"- 1 power circuit (Line Voltage) and 1 control circuit (Low Voltage) > 5 wires total (1 Black Wire "Hot", 1 White Wire "Neutral", 1 Green Wire "Ground", and 2 low voltage control wires, 1 Pink Wire and 1 Purple Wire)

BATTERY PACKS

Maintenance free lithium ion battery pack, battery run time is 90 minutes. Recharge time of 24 hours. 10 Watt Battery Pack (**10W**) or 15 Watt Battery Pack (**15W**) are available. To calculate Battery Lumen Output, multiply luminaire efficacy by battery wattage. (example: 110 lms/watt (120) x B10 Battery Wattage (10) = 1100 lumens of egress illumination for 90 minutes.)

Battery options are not available in fixtures less than 4', and other limitations apply, consult factory. Entire "direct" luminaire housing is energized by battery for lengths up to 5'. 4' sections of luminaire of direct fixtures are energized by battery for 6' - 8' housing lengths. Emergency or night light circuit available (requires additional power circuit). Battery fixtures ship with an additional Orange "constant hot" Wire.

LUMEN MAINTENANCE

90% of initial light output (L90) at 100,000+ hours, 70% of initial light output (L70) at 200,000+ hours.

GENERATOR TRANSFER DEVICES

Generator Transfer Devices (**GTD**) emergency lighting control device senses the loss of normal power and switches the AC driver input power connection to a generator (or central inverter) supplied lighting circuit. When a Generator Transfer Device (**GTD**) is provided in a fixture it will ship with 3 additional wires (Orange Wire "constant hot", Black-Red Wire "generator hot", White-Red Wire "generator neutral").

FIXTURE FINISH

Standard finishes are powder coat painted White Painted Finish (**WH**), Silver Painted Finish (**SV**) or Black Painted Finish (**BK**). Consult factory for Custom Color Painted Finish (**CC**).

INSTALLATION AND MOUNTING

RRZERO is designed to be surface mounted to an architectural building surface. The fixture must be secured to structure at specific locations along the fixture length and power must be also be roughed in at specific locations prior to installation. RRZERO may be individually mounted or continuously mounted in linear configurations or complex geometric patterns. Refer to installation instructions at nulite.lighting for details.

WARRANTY

5-year limited warranty on LED and driver from date of shipment. Refer to the full warranty details on nulite.lighting.

WEIGHT

Surface mounted luminaire weight is 0.5 lbs/ft. Remote power supply weights vary per remote driver enclosure type and electrical configuration, consult factory.

APPROVALS

ETL listed, conforms to UL standard 1598 / 8750 and CSA standard C22.2, indoor dry/damp locations.

TESTING AND CERTIFICATION

All of Nulite's LED components have been tested under LM-80 guidelines insuring 6000 hours of luminous flux data. Additionally Nulite can supply LM-79 data on all luminaires. This data includes luminous flux, electrical power, efficiency, chromatically as well as the diffusion of luminous intensity.