

PERIMETER P2



Nulite's Perimeter Series is a recessed linear lighting system designed for clean, continuous illumination at the ceiling-to-wall intersection. Available in 2" (P2), and 4" (P4) apertures, Perimeter delivers smooth wall washing and full-room lighting while integrating seamlessly into drywall, grid, or trimless ceiling types. The modular design includes illuminated corners and field-adjustable telescoping sections for long, uninterrupted runs and precise alignment around architectural transitions. With multiple regress options, two optical distributions, and IC-rated construction, Perimeter combines performance, versatility, and architectural clarity for commercial and institutional spaces.

DIRECT
Light Distribution

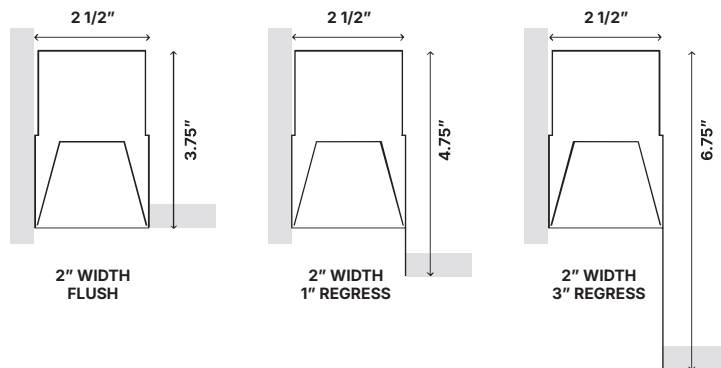


MOUNTING OPTIONS

Mud, Flange, Grid, Trimless

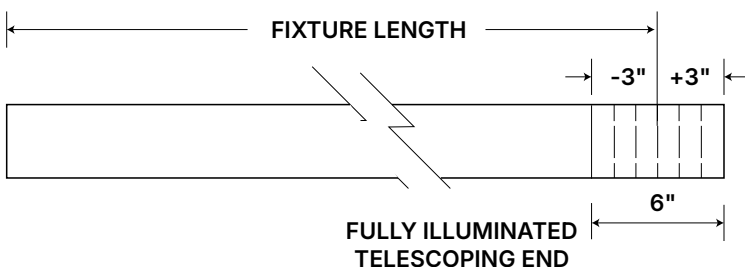
LENS OPTIONS

Frosted Continuous Lens — Flush, 1" Regress, 3" Regress



TELESCOPING DETAILS

2' - 8' nominal sections. Factory cut to 1" increments. Minor adjustments possible with sliding telescope.



CORNERS

12" Illuminated Corners



FEATURES / PERFORMANCE

- Profile: 2" aperture x 3.75" height (flush)
- Telescope: +/- 3" cuttable, illuminated end
- Length: 2', 3', 4', 5', 6', 7', 8', cut to 1" increments
- Lumens: 300 lm/ft minimum, 1200 lm/ft maximum
- Lm/W: 123 lm/W
- Optics: Lambertian
- Lens: Flush, 1" or 3" regressed, frosted continuous
- CRI/CCT: 80 or 90 CRI, 3000K/3500K/4000K CCT
- Ceiling Types: Mud, Flange, Grid, Trimless
- Vertical installation capability (after ceiling installation)
- Illuminated corners: One piece
- Voltage: UNV, 120V, 277V, 347V
- Drivers / Controls: Dimming, 0-10V, LUTRON, DALI
- Finish: white painted finish
- Customizable left and right, flat or pocket endcaps
- Warranty: 5 years (LED and driver)

ORDERING INFORMATION

EXAMPLE: PF2-D-FCL-F-09-L35-UNV-D-11-B10-WH-TE-SE-L-SE-R-8

Quick Ship: 10 Day lead time for options highlighted in orange. Available in 4' increments with Telescoping option. 1000' limit per order.

SERIES	DISTRIBUTION	SHIELDING	POSITION	LUMENS DOWN	CRI	CCT
PF2 = Recessed with Flange for Inaccessible Ceilings	D = Direct Lambertian	FCL = Frosted Continuous Lens	F = Flush Lens	03 = 300 lm/ft	L = 80 CRI	30 = 3000K
PG2 = Recessed with Grid Flange			1 = 1" Regress	05 = 500 lm/ft	H = 90 CRI	35 = 3500K
PM2 = Recessed with Mud Flange for Sheet Rock Ceilings			3 = 3" Regress	06 = 600 lm/ft		40 = 4000K
PT2 = Recessed with Trimless Flange				09 = 900 lm/ft		
QS-PG2 = Quick Ship 10-Day Lead Time				10 = 1000 lm/ft		
				12 = 1200 lm/ft		

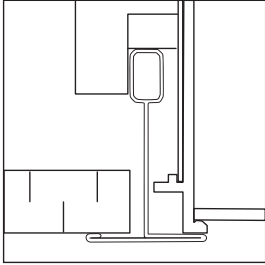
VOLTAGE	DRIVERS & CONTROLS	CIRCUITING		
UNV = Universal 120 - 277 Volts	<u>Dimming 0-10V</u>	<u>QTY of Power Circuits</u>	<u>QTY or Control Circuits</u>	<u>EM Options</u>
120V = 120 Volts	D = Dim to 1% (standard)	1 = 1 Power	1 = 1 Control	B10 = 10 Watt Battery Pack (CEC Compliant)
277V = 277 Volts	DO = Dim to 1%, Fade to Off	2 = 2 Power	2 = 2 Control	B14 = 14 Watt Battery Pack (CEC Compliant)
347V = 347 Volts	LUTRON	3 = 3 Power	3 = 3 Control	B15 = 15 Watt Battery Pack (CEC Compliant)
	DALI			GTD = Generator Transfer Device (120V or 277V)
				EM = Dedicated Emergency Circuit

FINISH	TELESCOPE	LEFT ENDCAP	RIGHT ENDCAP	OPTIONAL	FIXTURE LENGTH
WH = White Painted Finish	TE = Telescoping End	SE-L = Standard Flat Endcap	SE-R = Standard Flat Endcap	CP = Chicago Plenum	2 = 24"
	NA = Not Applicable	FE-L = Flange/Pocket Endcap	FE-R = Flange/Pocket Endcap	GLR = Fusing	3 = 36"
				SL = Shadow Line	4 = 48"
					5 = 60"
					6 = 72"
					7 = 84"
					8 = 96"
					XX - Specify run lengths. Cuttable to 1" increments.

T-BAR COMPATIBILITY

GRID

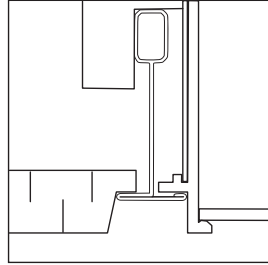
1" GRID DETAIL



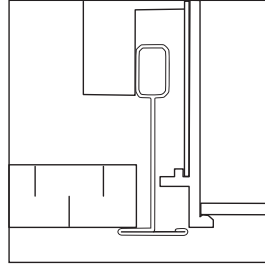
STANDARD TILE

Fixture is compatible with "T" heights up to 1 1/2"

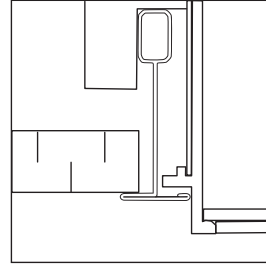
9/16" GRID DETAIL



TEGULAR TILE

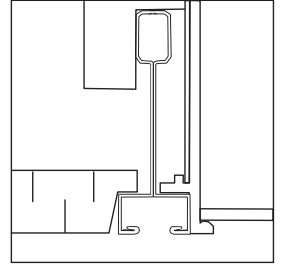


STANDARD TILE - 1-1/2"
"T" height & supported by grid hook extension



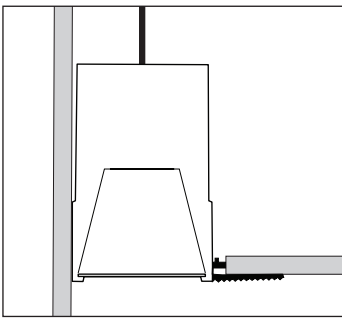
STANDARD TILE -
Drop-Down Luminaire

SCREW SLOT DETAIL

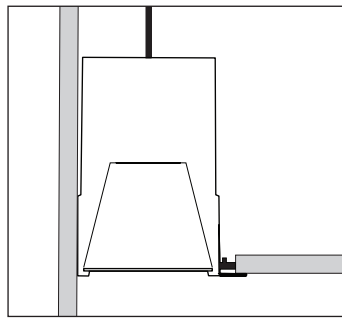


TEGULAR TILE

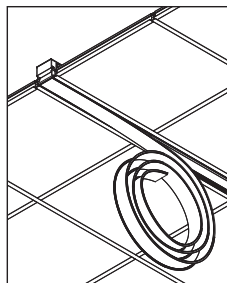
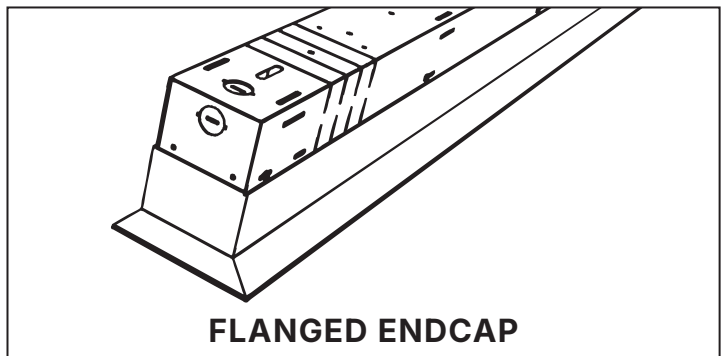
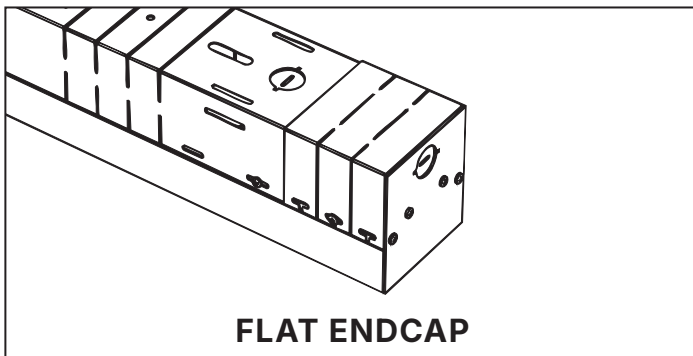
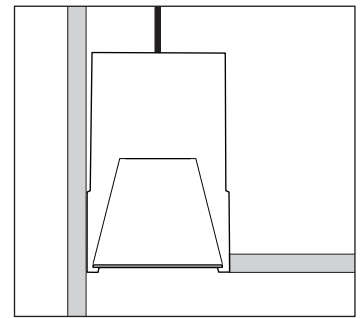
MUD



FLANGE

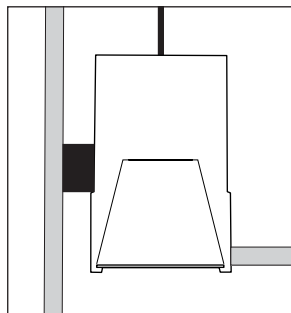


TRIMLESS



FROSTED CONTINUOUS LENS (FCL)

The Perimeter series is available with a Frosted Continuous Lens (FCL) option that eliminates lens gaps and provides seamless uniform illumination for linear lengths up to 100'.

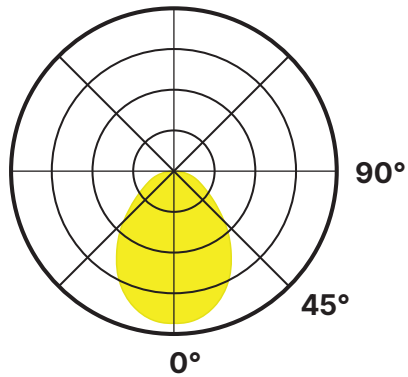


SHADOW LINE OPTION

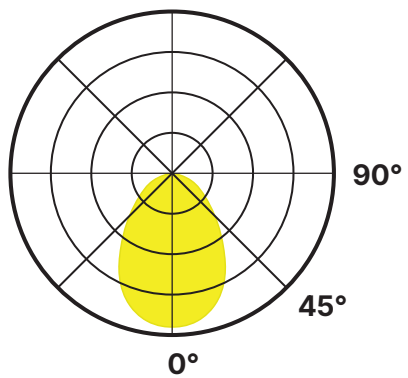
The optional Shadow Line detail creates a refined architectural reveal that visually straightens and smooths wall-to-ceiling transitions. Elevating the fixture's integration into the built environment, delivering a crisp, modern aesthetic ideal for premium interior applications.

PHOTOMETRICS

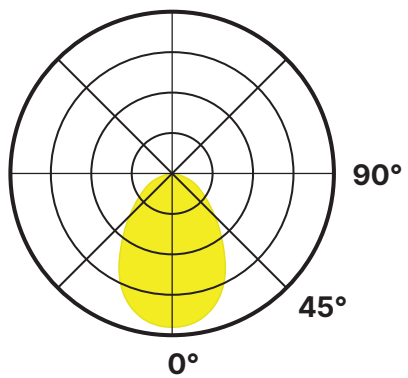
*LUMEN OUTPUT MAY VARY. 3500K / 80 CRI USED FOR RESULTS
LUMENS: 300 LM/FT MINIMUM, 1200 LM/FT MAXIMUM



FCL - Frosted Continuous Lens			
PACKAGE	Lumens per ft	Watts per ft	Lumens per watt
03	295	2.2	132
05	509	3.8	134
06	603	4.5	134
09	904	7.1	127
10	996	7.9	125
12	1205	9.8	123



FCL - Frosted Continuous Lens + 1" Regress			
PACKAGE	Lumens per ft	Watts per ft	Lumens per watt
03	288	2.2	129
05	497	3.8	131
06	589	4.5	131
09	906	7.3	124
10	996	8.2	122
12	1205	10.0	120



FCL - Frosted Continuous Lens + 3" Regress			
PACKAGE	Lumens per ft	Watts per ft	Lumens per watt
03	307	2.2	137
05	505	3.7	138
06	603	4.3	139
09	894	6.7	134
10	989	7.7	129
12	1205	9.4	128

PRODUCT SPECIFICATIONS & INFORMATION

HOUSING CONSTRUCTION

The housing consists of visible extruded aluminum flange rails with formed cold rolled steel back channel and heavy gauge endcaps. Standard luminaire is finished textured white.

LEDS AND OPTICAL SYSTEM

Optical systems consist of constant current LEDs mounted to a removable reflector. Frosted lens diffuses LED light source while delivering high efficacy general illumination.

STANDARD DIMMING LED DRIVERS

Standard constant current integral electronic 0-10V dimming input. Two standard driver options are available. Option **D** dims to 1% and option **DO** dims to 0% or OFF (the final 1 percent is a "step"). Both options are the same price and representative of the base fixture price. Options **D** and **DO** ship with 5 wires (Line Voltage - Black and White wires, Low Voltage- Purple and Pink wires, Ground- Green wire).

DALI DRIVERS

Standard constant current DALI drivers available in **DA0** dim to 0% or OFF (the final 1 percent is a "step"). DALI fixtures ship with 5 wires (Line Voltage- Black and White wires, Low Voltage-Purple and Pink wires, Ground- Green wire).

LIGHT OUTPUT

Standard factory set light outputs are programmed to within +/- 5% of the nominal light level at 3500K 80 CRI LEDs. Light output, wattage, and efficacy will vary across different CRIs CCTs. Refer to IES files on the website for actual detailed lighting performance data.

CIRCUITING

Each luminaire may have up to 3 line voltage (Power) circuits and 3 low voltage (Control) circuits. Two power circuits are required for independent control of Left & Right in direct luminaires, and low voltage control circuits are for independent dimming of each circuit.

Examples:

- **"1-1"**- 1 power circuit (Line Voltage) and 1 control circuit (Low Voltage) > 5 wires total (1 Black Wire "Hot," 1 White Wire "Neutral," 1 Green Wire "Ground," and 2 low voltage control wires, 1 Pink wire and 1 Purple wire)
- **"2-2"**- 2 power circuits (Line Voltage) and 2 control circuit (Low Voltage) > 9 wires total (2 Black Wires "Hot," 2 White Wires "Neutral," 1 Green Wire "Ground," and 4 low voltage control wires, 2 Pink wires and 2 Purple wires)
- **"3-3"**- 3 power circuits (Line Voltage) and 3 control circuit (Low Voltage) > 13 wires total (3 Black Wires "Hot," 3 White Wires "Neutral," 1 Green Wire "Ground," and 6 low voltage control wires, 2 Pink wires and 2 Purple wires)

BATTERY PACKS

Battery packs up to 15W are available. To calculate Battery Lumen Output, multiply luminaire efficacy by battery wattage (example: 120 lms/watt (**120**) x **B10** Battery Wattage (**10**) = **1200** lumens of egress illumination.) Battery option not available in fixtures less than 4', and other limitations apply, consult factory. Emergency or night light circuit available (requires additional power circuit). Battery fixtures ship with an additional Orange "constant hot" wire.

LUMEN MAINTENANCE

90% of initial light output (L90) at 72,000 hours. Measured and reported in accordance with TM-21 calculations and LM80 testing procedures. Calculated values for L90 +100,000 hours.

GENERATOR TRANSFER DEVICES

The GTD emergency lighting control device senses the loss of normal power and switches the AC driver input power connection to an unswitched, generator (or central inverter) supplied lighting circuit. GTD fixtures ship with 3 additional wires (orange wire "constant hot," black-red wire "generator hot," white-red wire "generator neutral").

FIXTURE FINISHES

Standard finishes are powder coat painted White Painted Finish (**WH**). Consult factory for Custom Color Painted Finish (**CC**).

INSTALLATION AND MOUNTING

The "Grid" recessed option is designed to use tie-in T-bar brackets to secure the luminaire to the ceiling grid from above (**T1**, **T9** or **TS**). IC rated. Individual mount or continuous runs. The Perimeter series may be configured into geometric patterns. Mitered housings may be configured into corners. Standard mitered angles of 90° can be utilized to create an unlimited array of designs and layouts. The submittal drawing (shop drawing) furnished by Nulite will adequately detail these configurations and sign-off is required to initiate production.

WARRANTY

5-year limited warranty on LED and driver from date of shipment. Refer to the full warranty details on:

<https://nulite.lighting/resources>

WEIGHT

Fixtures are 3.25 lbs/ft, Integral Fixtures vary per enclosure type and electrical configuration, consult factory.

APPROVALS

ETL listed, conforms to UL Standard 1598 and CSA Standard C22.2, indoor dry/damp locations.

TESTING AND CERTIFICATION

All of Nulite's LED components have been tested under **LM-80** guidelines insuring 6000 hours of luminous flux data. Additionally Nulite can supply **LM-79** data on all luminaires. This data includes luminous flux, electrical power, efficiency, chromatically as well as the diffusion of luminous intensity.