

# Regolo 1 RW13-B

Wall Mount  
**BI-DIRECT**  
 Light Distribution

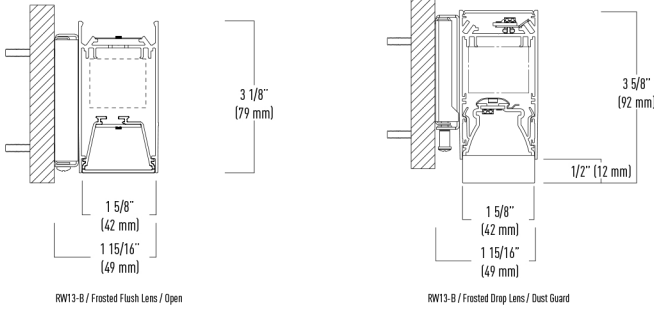


The Regolo RW13 is a narrow, nominal 1.5" wide wall mounted luminaire system. The slender design is ideal for corridors, open and private offices, classrooms, lobbies and general purpose rooms.

- *Extruded aluminum housing and die cast aluminum end caps*
- *Configure into linear rows, complex patterns and individual geometric shapes*
- *Tool free installation with engineered spring latch design*
- *Intelligent wireless technology inside from premier connected lighting partners*
- *Available in 3 standard paint finishes*

### Standard Individual Fixture Lengths

- 2' (609 mm)
- 3' (914 mm)
- 4' (1219 mm)
- 5' (1524 mm)
- 6' (1828 mm)
- 7' (2133 mm)
- 8' (2438 mm)

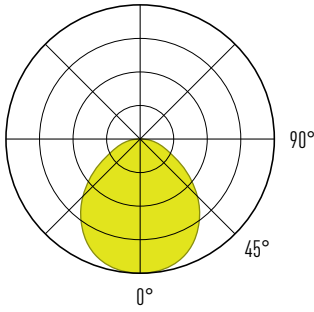


### ORDERING INFORMATION / Example: RW13-B-FF-0-08-10-L35-UNV-D-11-WH-8

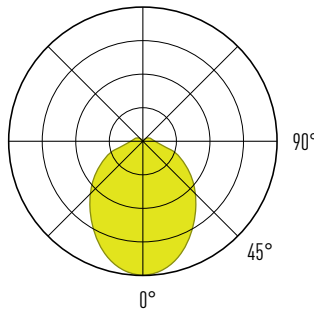
SERIES	DISTRIBUTION	DIRECT SHIELDING	INDIRECT SHIELDING	LUMENS DOWN	LUMENS UP	CRI & CCT
<b>RW13</b> - Regolo 1 1.625" Wide, 3.125" Tall, Integral Driver, Wall Mount	<b>B</b> - Bi-Direct	<b>FF</b> - Frosted Flush Lens <b>FL</b> - Frosted Drop Lens (Luminous Ends)	<b>O</b> - Open <b>DG</b> - Dust Guard <b>BW</b> - Batwing Optic <b>ASYM</b> - Asymmetric Optic	<b>03</b> - 300 lm/ft <b>05</b> - 500 lm/ft <b>08</b> - 800 lm/ft	<b>03</b> - 300 lm/ft <b>05</b> - 500 lm/ft <b>08</b> - 800 lm/ft <b>10</b> - 1000 lm/ft <b>13</b> - 1300 lm/ft <b>15</b> - 1500 lm/ft	<b>L</b> - 80 CRI <b>H</b> - 90 CRI <b>30</b> - 3000K <b>35</b> - 3500K <b>40</b> - 4000K

VOLTAGE	DRIVER	CIRCUITING	Options
<b>UNV</b> - Universal 120 - 277V <b>120V</b> - 120V <b>277V</b> - 277V	<b>Dimming 0-10V</b> <b>D</b> - Dim to 1% (Standard) <b>DO</b> - Dim to 1%, Fade to Off <b>DO2</b> - Eldoled Solodrive, Dim to 0% <b>LUTRON</b> - See options on page 3	<b>Qty of Power Circuits</b> <b>1</b> - 1 Power <b>2</b> - 2 Power	<b>Qty of Control Circuits</b> <b>1</b> - 1 Control <b>2</b> - 2 Control <b>B10</b> - 10 Watt Battery Pack (CEC Compliant) <b>B14</b> - 14 Watt Battery Pack (CEC Compliant) <b>GTD</b> - Generator Transfer Device (120V or 277V) <b>EM</b> - Dedicated Emergency Circuit

FIXTURE FINISH	OPTIONS	FIXTURE LENGTH	INDIVIDUAL SHAPES
<b>WH</b> - White Painted Finish <b>SV</b> - Silver Painted Finish <b>BK</b> - Black Painted Finish <b>CC</b> - Custom Color	<b>LEV</b> - Leviton Integral Sensor <b>WS</b> - Wattstopper (Legrand) Integral Sensor <b>WLX</b> - Wavelinx (Cooper Lighting Solutions) Integral Sensor <b>NX</b> - NX (Hubbel) Integral Sensor <b>NLT</b> - nLight (Acuity Brands) Integral Sensor <b>ATH</b> - Athena (Lutron) Integral Sensor <b>LV</b> - Vive (Lutron) Integral Sensor <b>ENL</b> - Enlighted Integral Sensor <b>CP</b> - Chicago Plenum <b>GLR</b> - Fusing	<b>2</b> - 24" <b>3</b> - 36" <b>4</b> - 48" <b>5</b> - 60" <b>6</b> - 72" <b>7</b> - 84" <b>8</b> - 96" <b>XX</b> - Specify run lengths in 1/8" increments	<b>SOX</b> - X' Square <b>TRX</b> - X' Triangle <b>YX</b> - X' Leg Y-Shape <b>XX</b> - X' Leg X-Shape



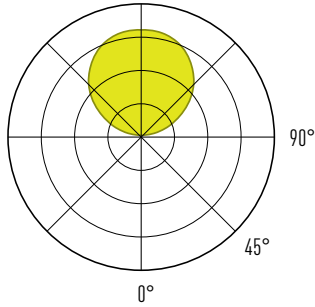
FF - Frosted Flush Lens			
PACKAGE	Lumens per ft	Watts per ft	Lumens per watt
03	308	2.24	138
05	507	3.7	138
08	799	5.9	136



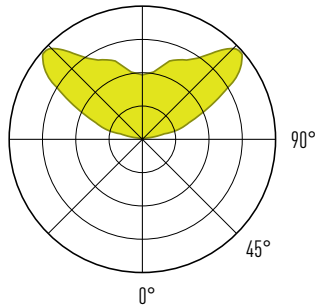
FL - Frosted Drop Lens (Luminous Ends)			
PACKAGE	Lumens per ft	Watts per ft	Lumens per watt
03	306	2.24	138
05	502	3.7	138
08	792	5.9	136

## PHOTOMETRICS

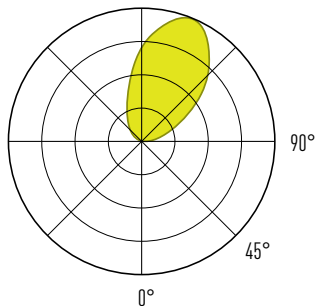
\*LUMEN OUTPUT MAY VARY. 3500K / 80 CRI USED FOR RESULTS.



0 - Open			
PACKAGE	Lumens per ft	Watts per ft	Lumens per watt
03	297	1.9	159
05	498	3.1	160
08	809	5.3	153
10	1004	6.4	157
13	1306	8.8	149
15	1496	10.1	148



BW - Batwing Optic			
PACKAGE	Lumens per ft	Watts per ft	Lumens per watt
03	302	2.1	146
05	514	3.5	149
08	801	5.5	147
10	1007	7.1	142
13	1311	9.6	137
15	1510	11	137

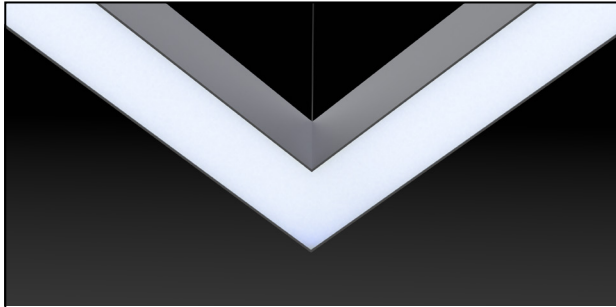


ASYM - Asymmetric Optic			
PACKAGE	Lumens per ft	Watts per ft	Lumens per watt
03	295	2.1	143
05	501	3.5	145
08	807	5.7	142
10	1007	7.3	138
13	1303	9.8	133
15	1498	11.3	133

## DRIVER INFORMATION

NULITE CAT#	DRIVER MANUFACTURER / SERIES	DIMMING / CONTROL PROTOCOL	DIM RANGE	NOTES/ DESCRIPTION
D	Signify Xitanium, Osram OT1	0-10v	100% -1%	Standard Nulite driver, base fixture price
D0	Signify Xitanium, Osram OT1	0-10v	100%- 1% (Steps from 1% to 0% or OFF)	Standard Nulite driver, base fixture price
D02	Eldoled Solodrive	0-10v	100% - 0%	Logarithmic Dimming Curve
L11	Lutron Hi-Lume Premier (PEQ0E) Max lumen package 03	0-10v	100% - 0.1%	Hi-lume Premier 0.1% EcoSystem LED driver with Soft-on, Fade-to-Black dimming technology
L15	Lutron Hi-Lume Series (LDE1)	0-10v	100% - 1%	Hi-Lume 1% EcoSystem LED driver with Soft-on, Fade-to-Black dimming technology
ELE	Eldoled Ecodrive	DALI	100% - 1%	Logarithmic Dimming Curve
ELS	Eldoled Solodrive	DALI	100% -0%	Logarithmic Dimming Curve

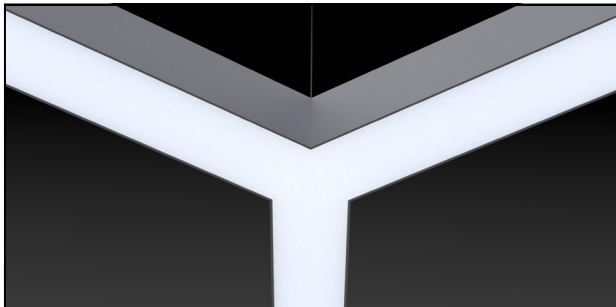
**STANDARD "PATTERN" LAYOUT OPTIONS**



**L L-Intersection (Corner)**  
Available Standard configurations: 45°, 60°, 90°, 120°, 135°



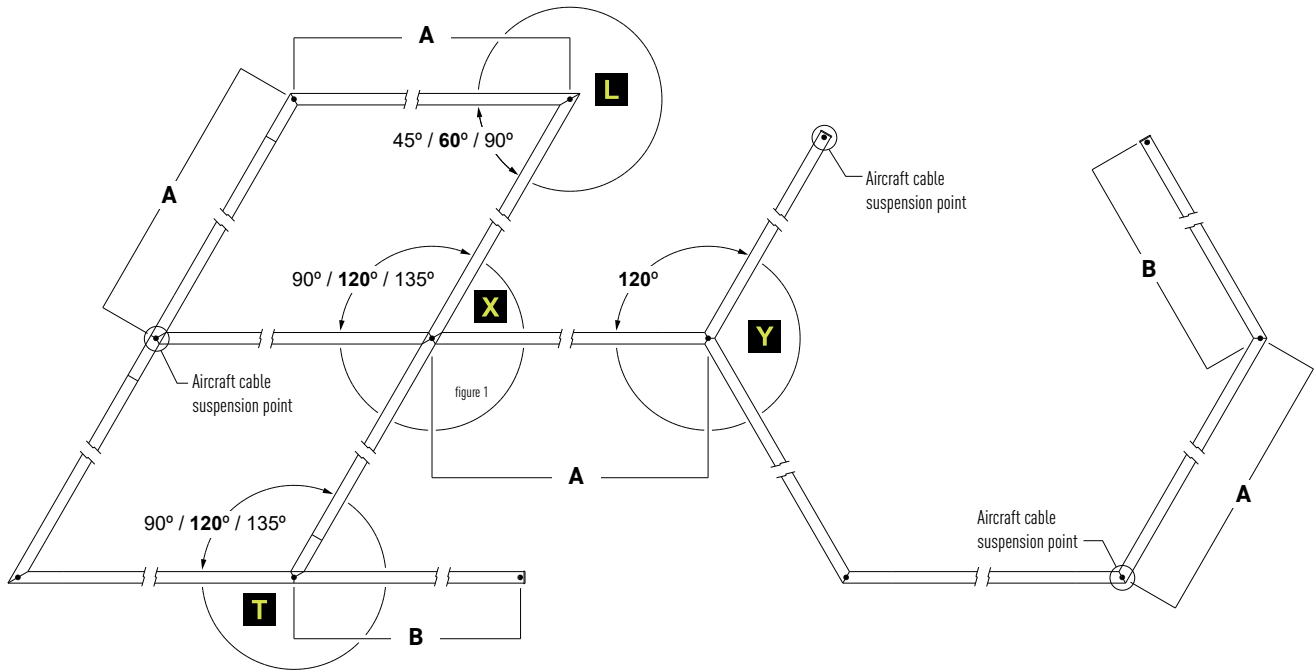
**T T-Intersection**  
Available Standard configurations: 45°+135°, 60°+120°, 90°+90°



**Y Y-Intersection**  
Available Standard configurations: (3)120°



**X X-Intersection**  
Available Standard configurations: (2)45°+135°, (2)60°+120°, (2)90°+90°



Description	Notes
A <b>Linear Section</b> (Intersections on 2 sides)	Specify distance between aircraft cable suspension points in 1' (305mm) increments from 2' (610mm) to essentially any length.
B <b>Linear Section</b> (Intersection on 1 side)	Specify distance between aircraft cable suspension points in 1' (305mm) increments from 2' (610mm) to essentially any length, then subtract 1/2" (13mm)

## PRODUCT SPECIFICATIONS AND INFORMATION

### HOUSING CONSTRUCTION

Precision cut one piece extruded aluminum housing. Housing standard finish is electrostatically applied textured white powder coat paint. Optional silver, black, or custom color paint finishes. Captive joining mechanism is a combination die formed sheet metal and zinc plated spring steel. All hardware is stainless steel.

### LENS OPTIONS

Optical systems consist of a single row of mid power constant current LEDs attached to a custom one piece co-extruded lens consisting of highly transmissive acrylic and a highly reflective polycarbonate reflector. This reduces internal parts and optimizes thermal management. Lens and LED assembly, snap in and out of the housing, giving service access to LED's and driver from below.

### STANDARD DIMMING LED DRIVERS

Standard constant current integral electronic 0-10v dimming input. Two standard driver options are available. Option **D** dims to 1% and option **DO** dims to 0% or OFF (the final 1 percent is a "step"). Both options are the same price and representative of the base fixture price. Options **D** and **DO** ship with 5 wires (Line Voltage- Black and White wires, Low Voltage- Purple and Pink wires, Ground- Green wire).

### DALI DRIVERS

Standard constant current DALI drivers available in either a dim to 1% (**ELE**) or dim to 0% (**ELS**). DALI fixtures ship with 5 wires (Line Voltage- Black and White wires, Low Voltage- Purple and Pink wires, Ground- Green wire).

### LIGHT OUTPUT

Standard factory set light outputs are programmed to within +/- 5% of the nominal light level at 3500K 80 CRI LEDs. Light output, wattage, and efficacy will vary across different CRI's CCT's. Refer to ies files on the website for actual detailed lighting performance data.

### CIRCUITING

Each luminaire may have up to 2 line voltage (Power) circuits and 2 low voltage (Control) circuits. Two power circuits are required for independent control of uplight and downlight in bi-direct luminaires, and low voltage control circuits are for independent dimming of each circuit.

#### Examples:

- "1-1"- 1 power circuit (Line Voltage) and 1 control circuit (Low Voltage) > 5 wires total (1 Black Wire "Hot", 1 White Wire "Neutral", 1 Green Wire "Ground", and 2 low voltage control wires, 1 Pink wire and 1 Purple wire)
- "2-2"- 2 power circuits (Line Voltage) and 1 control circuit (Low Voltage) > 9 wires total (2 Black Wires "Hot", 2 White Wires "Neutral", 1 Green Wire "Ground", and 4 low voltage control wires, 2 Pink wires and 2 Purple wires)

### BATTERY PACKS

Recyclable Li-Ion battery pack, battery run time is 90 minutes. Recharge time of 24 hours. Battery packs up to 10W are available. To calculate Battery Lumen Output, multiply luminaire efficacy by battery wattage. (example: 120 lms/watt (120) x B10 Battery Wattage (10) = 1200 lumens of egress illumination for 90 minutes.) Battery option not available in fixtures less than 4', and other limitations apply, consult factory. Entire "direct" fixture housing is energized by battery for lengths up to 5'. Half of direct fixture is energized by battery for 6' - 8' housing lengths. Emergency or night light circuit available (requires additional power circuit). Battery fixtures ship with an additional Orange "constant hot" wire.

### LUMEN MAINTENANCE

90% of initial light output (L90) at 100,000+ hours, 70% of initial light output (L70) at 200,000+ hours calculated.

### GENERATOR TRANSFER DEVICES

The GTD emergency lighting control device senses the loss of normal power and switches the AC driver input power connection to an unswitched, generator (or central inverter) supplied lighting circuit. GTD fixtures ship with 3 additional wires (Orange wire "constant hot", Black-Red wire "generator hot", White-Red wire "generator neutral").

### FIXTURE FINISHES

Standard finish is powder coat painted white (**WH**), black (**BK**) or silver (**SV**). Consult factory for custom color (**CC**) finishes.

### INSTALLATION AND MOUNTING

RW13 is designed to mount to architectural wall surfaces, typically sheet rock frame-in construction. A rough-in junction box is required in addition to structural bracing within the wall for fixture support via factory provided mounting brackets. Wall mount cover for use with standard electrical junction box - Individual mount or continuous runs. Refer to installation instructions at <https://nulite.lighting/products/rw13-bidirect> for details.

### WARRANTY

5-year limited warranty on LED and driver from date of shipment. Refer to the full warranty details on <https://nulite.lighting/products/rw13-bidirect>.

### WEIGHT

Fixtures are approximately 1.5 lbs/ft, Driver box weights vary per enclosure type and electrical configuration, consult factory.

### APPROVALS

ETL listed, conforms to UL Standard 1598 and CSA Standard C22.2, indoor dry/damp locations.

### TESTING AND CERTIFICATION

All of Nulite's LED components have been tested under **LM-80** guidelines ensuring 6000 hours of luminous flux data. Additionally Nulite can supply **LM-79** data on all luminaires. This data includes luminous flux, electrical power, efficiency, chromaticity as well as the diffusion of luminous intensity.