

Regolo 1 RG1-D

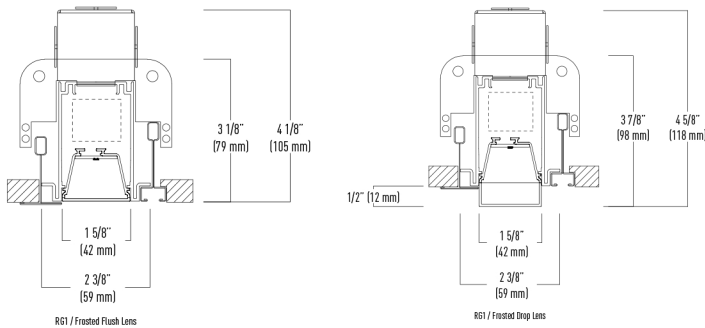
Recessed/Grid
DIRECT
 Light Distribution



The Regolo RG1 is a recessed, nominal 1.5" wide profile, slot unit designed for grid ceiling systems. The slender design is ideal for corridors, open and private offices, classrooms, lobbies and general purpose rooms.

- Precision cut extruded aluminum housing.
- Housing standard finish is electrostatically applied textured white powder coat paint. Optional silver, black, or custom color paint finishes.
- Configure into linear rows, complex patterns and individual geometric shapes
- Tool free installation with engineered spring latch design
- Intelligent wireless technology inside from premier connected lighting partners

Standard Individual Fixture Lengths



ORDERING INFORMATION / Example: RG1-D-FF-05-L35-UNV-D-11-WH-4

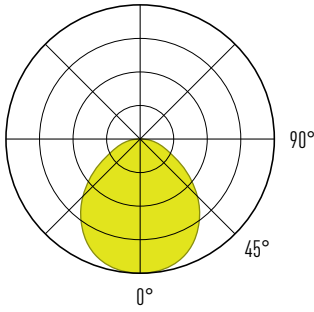
SERIES	DISTRIBUTION	DIRECT SHIELDING	LUMENS DOWN	CRI & CCT
RG1 - Regolo 1 1.625" Wide, 3.125" Tall, Recessed For Grid Ceilings	D - Direct	FF - Frosted Flush Lens FL - Frosted Drop Lens (Luminous Ends)	03 - 300 lm/ft 05 - 500 lm/ft 08 - 800 lm/ft	L - 80 CRI 30 - 3000K H - 90 CRI 35 - 3500K 40 - 4000K

VOLTAGE	DRIVER	CIRCUITING
UNV - Universal 120 - 277V 120V - 120V 277V - 277V	Dimming 0-10V D - Dim to 1% (Standard) DO - Dim to 1%, Fade to Off DO2 - Eldoled Solodrive, Dim to 0% LUTRON - See options on page 2	Qty of Power Circuits 1 - 1 Power 2 - 2 Power Qty of Control Circuits 1 - 1 Control 2 - 2 Control Options B10 - 10 Watt Battery Pack (CEC Compliant) B14 - 14 Watt Battery Pack (CEC Compliant) GTD - Generator Transfer Device (120V or 277V) EM - Dedicated Emergency Circuit

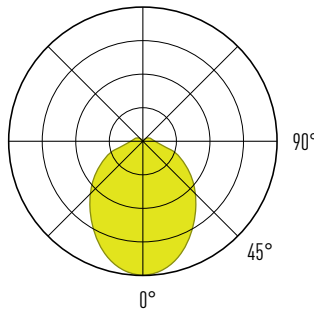
FIXTURE FINISH	OPTIONS	FIXTURE LENGTH	INDIVIDUAL SHAPES
WH - White Painted Finish SV - Silver Painted Finish BK - Black Painted Finish CC - Custom Color	LEV - Leviton Integral Sensor WS - Wattstopper (Legrand) Integral Sensor WLX - Wavelinx (Cooper Lighting Solutions) Integral Sensor NX - NX (Hubbel) Integral Sensor NLT - nLight (Acuity Brands) Integral Sensor ATH - Athena (Lutron) Integral Sensor LV - Vive (Lutron) Integral Sensor ENL - Enlighted Integral Sensor CP - Chicago Plenum GLR - Fusing	2 - 24" 3 - 36" 4 - 48" 5 - 60" 6 - 72" 7 - 84" 8 - 96" XX - Specify run lengths in 1/8" increments	SOX - X' Square TRX - X' Triangle YX - X' Leg Y-Shape XX - X' Leg X-Shape

PHOTOMETRICS

*LUMEN OUTPUT MAY VARY. 3500K / 80 CRI USED FOR RESULTS.



FF - Frosted Flush Lens			
PACKAGE	Lumens per ft	Watts per ft	Lumens per watt
03	308	2.24	138
05	507	3.7	138
08	799	5.9	136

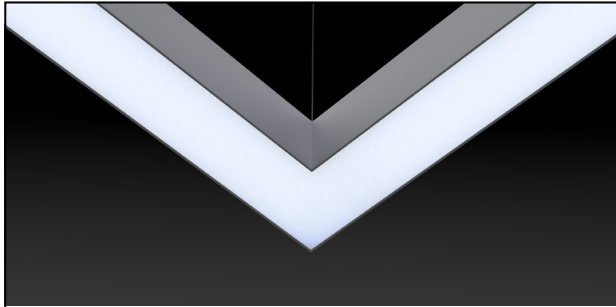


FL - Frosted Drop Lens (Luminous Ends)			
PACKAGE	Lumens per ft	Watts per ft	Lumens per watt
03	306	2.24	138
05	502	3.7	138
08	792	5.9	136

DRIVER INFORMATION

NULITE CAT#	DRIVER MANUFACTURER / SERIES	DIMMING / CONTROL PROTOCOL	DIM RANGE	NOTES/ DESCRIPTION
D	Signify Xitanium, Osram OT1	0-10v	100% -1%	Standard Nulite driver, base fixture price
D0	Signify Xitanium, Osram OT1	0-10v	100%- 1% (Steps from 1% to 0% or OFF)	Standard Nulite driver, base fixture price
D02	Eldoled Solodrive	0-10v	100% - 0%	Logarithmic Dimming Curve
L11	Lutron Hi-Lume Premier (PEQ0E) Max lumen package 03	0-10v	100% - 0.1%	Hi-lume Premier 0.1% EcoSystem LED driver with Soft-on, Fade-to-Black dimming technology
L15	Lutron Hi-Lume Series (LDE1)	0-10v	100% - 1%	Hi-Lume 1% EcoSystem LED driver with Soft-on, Fade-to-Black dimming technology
ELE	Eldoled Ecodrive	DALI	100% - 1%	Logarithmic Dimming Curve
ELS	Eldoled Solodrive	DALI	100% -0%	Logarithmic Dimming Curve

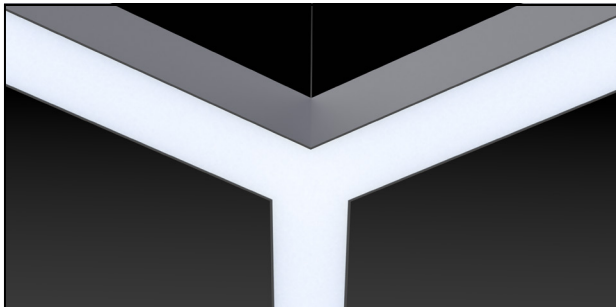
STANDARD "PATTERN" LAYOUT OPTIONS



L L-Intersection (Corner)
Available Standard configurations: 45°, 60°, 90°, 120°, 135°



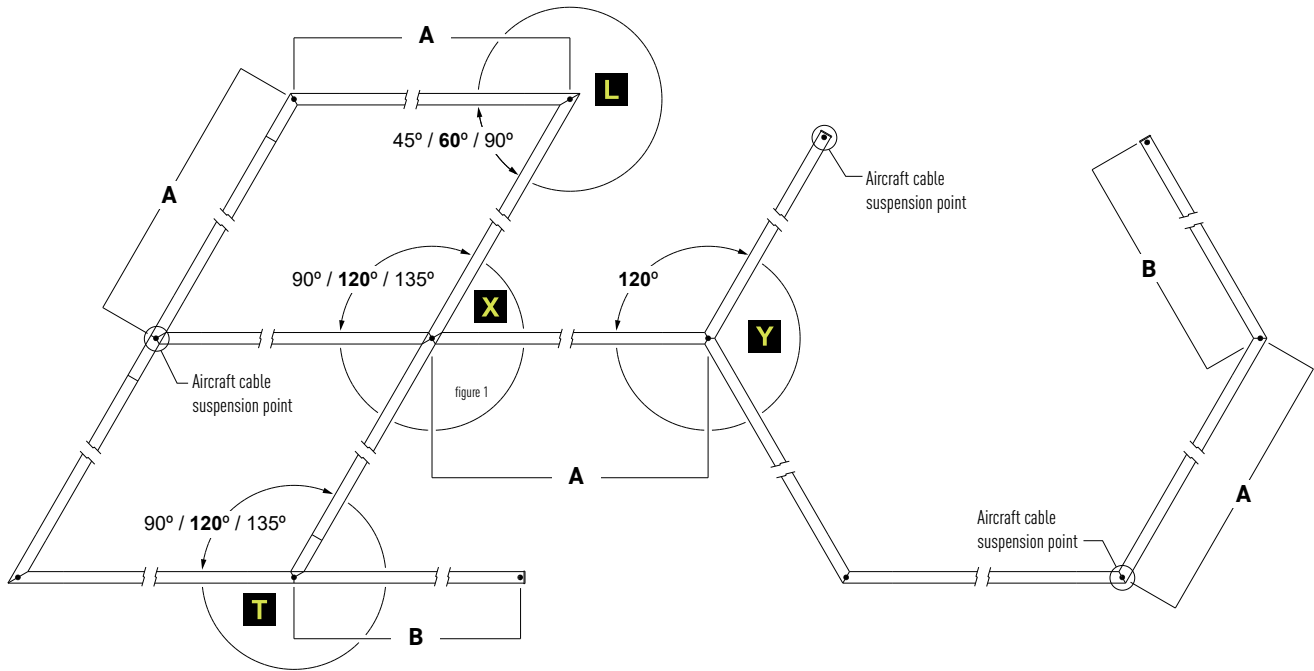
T T-Intersection
Available Standard configurations: 45°+135°, 60°+120°, 90°+90°



Y Y-Intersection
Available Standard configurations: (3)120°



X X-Intersection
Available Standard configurations: (2)45°+135°, (2)60°+120°, (2)90°+90°



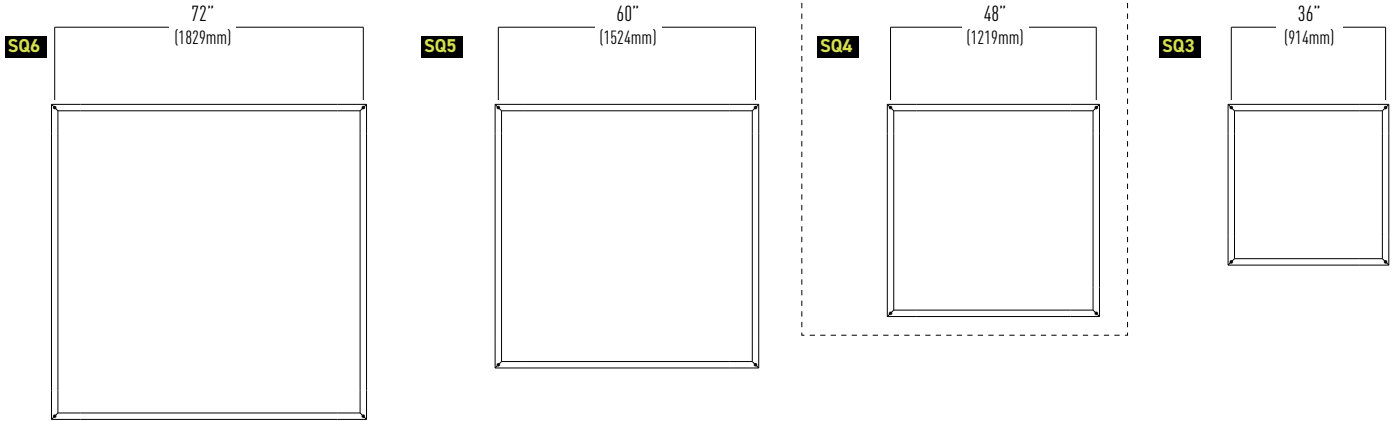
Description	Notes
A Linear Section (Intersections on 2 sides)	Specify distance between aircraft cable suspension points in 1' (305mm) increments from 2' (610mm) to essentially any length.
B Linear Section (Intersection on 1 side)	Specify distance between aircraft cable suspension points in 1' (305mm) increments from 2' (610mm) to essentially any length, then subtract 1/2" (13mm)

STANDARD INDIVIDUAL SHAPES

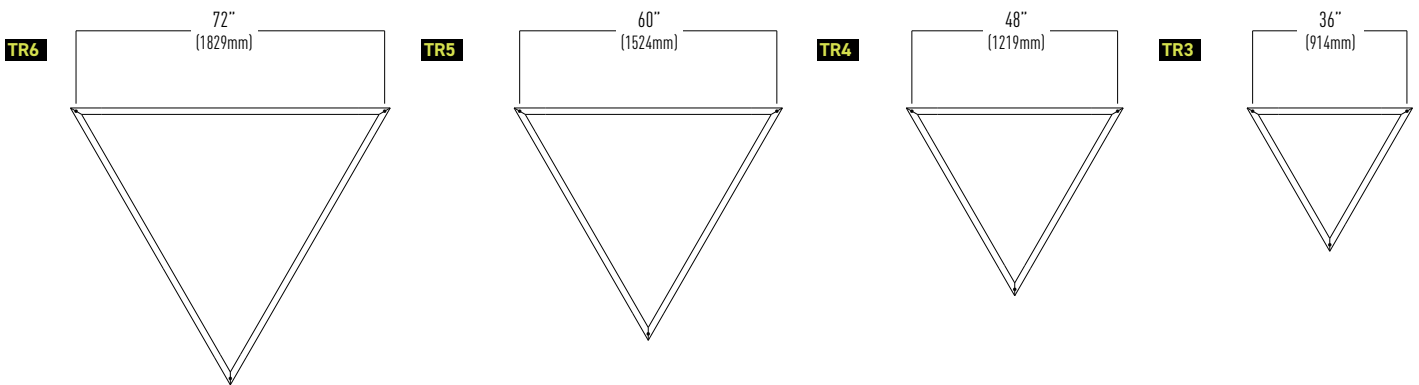
The Regolo1 is available in an array of individual fixture shapes that ship fully assembled as and individual unit.

Ordering Example: RF1-D-FRF-05-L35-UNV-D-11-WH-4-**SQ4**

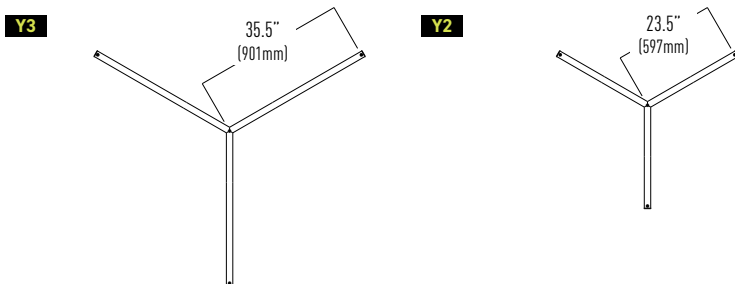
Squares



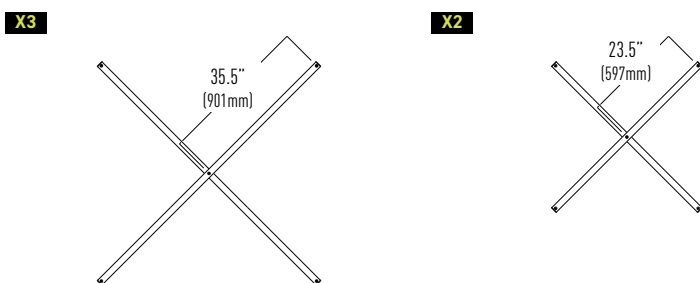
Triangles



Y Shape



X Shape



PRODUCT SPECIFICATIONS AND INFORMATION
HOUSING CONSTRUCTION

Precision cut one piece extruded aluminum housing. Housing standard finish is electrostatically applied textured white powder coat paint. Optional silver, black, or custom color paint finishes. Captive joining mechanism is a combination die formed sheet metal and zinc plated spring steel. All hardware is stainless steel.

LENS OPTIONS

Optical systems consist of a single row of mid power constant current LEDs attached to a custom one piece co-extruded lens consisting of highly transmissive acrylic and a highly reflective polycarbonate reflector. This reduces internal parts and optimizes thermal management. Lens and LED assembly, snap in and out of the housing, giving service access to LEDs and driver from below.

STANDARD DIMMING LED DRIVERS

Standard constant current integral electronic 0-10v dimming input. Two standard driver options are available. Option **D** dims to 1% and option **DO** dims to 0% or OFF (the final 1 percent is a "step"). Both options are the same price and representative of the base fixture price. Options **D** and **DO** ship with 5 wires (Line Voltage- Black and White wires, Low Voltage- Purple and Pink wires, Ground- Green wire).

DALI DRIVERS

Standard constant current DALI drivers available in either a dim to 1% (**ELE**) or dim to 0% (**ELS**). DALI fixtures ship with 5 wires (Line Voltage- Black and White wires, Low Voltage- Purple and Pink wires, Ground- Green wire)

LIGHT OUTPUT

Standard factory set light outputs are programmed to within +/- 5% of the nominal light level at 3500K 80 CRI LEDs. Light output, wattage, and efficacy will vary across different CRI's CCT's. Refer to ies files on the website for actual detailed lighting performance data.

CIRCUITING

Each luminaire may have up to 2 line voltage (Power) circuits and 2 low voltage (Control) circuits. Two power circuits are required for independent control of uplight and downlight in bi-direct luminaires, and low voltage control circuits are for independent dimming of each circuit.

Examples:

- **"1-1"**- 1 power circuit (Line Voltage) and 1 control circuit (Low Voltage) > 5 wires total (1 Black Wire "Hot", 1 White Wire "Neutral", 1 Green Wire "Ground", and 2 low voltage control wires, 1 Pink wire and 1 Purple wire)
- **"2-2"**- 2 power circuits (Line Voltage) and 1 control circuit (Low Voltage) > 9 wires total (2 Black Wires "Hot", 2 White Wires "Neutral", 1 Green Wire "Ground", and 4 low voltage control wires, 2 Pink wires and 2 Purple wires)

BATTERY PACKS

Recyclable Li-Ion battery pack, battery run time is 90 minutes. Recharge time of 24 hours. Battery packs up to 10W are available. To calculate Battery Lumen Output, multiply luminaire efficacy by battery wattage. [example: 120 lms/watt **(120) x B10 Battery Wattage (10) = 1200** lumens of egress illumination for 90 minutes.] Battery option not available in fixtures less than 4', and other limitations apply, consult factory. Entire "direct" fixture housing is energized by battery for lengths up to 5'. Half of direct fixture is energized by battery for 6' - 8' housing lengths. Emergency or night light circuit available (requires additional power circuit). Battery fixtures ship with an additional Orange "constant hot" wire.

LUMEN MAINTENANCE

90% of initial light output (L90) at 100,000+ hours, 70% of initial light output (L70) at 200,000+ hours.

GENERATOR TRANSFER DEVICES

The GTD emergency lighting control device senses the loss of normal power and switches the AC driver input power connection to an unswitched, generator (or central inverter) supplied lighting circuit. GTD fixtures ship with 3 additional wires (Orange wire "constant hot", Black-Red wire "generator hot", White-Red wire "generator neutral").

FIXTURE FINISHES

Standard finish is powder coat painted white (**WH**), black (**BK**) or silver (**SV**). Consult factory for custom color finishes as these options carry extended lead times and price adds to cover set-up and material costs.

INSTALLATION AND MOUNTING

The "Grid" recessed option is designed to use tie-in T-bar brackets secure luminaire to the ceiling grid from above (**T1, T9 or TS**). IC rated. Individual mount or continuous runs. Regolo 1 series may be configured into geometric patterns. Mitered housings may be configured into corners, X-intersections, and T-Intersections. Standard mitered angles of 90° can be utilized to create an unlimited array of designs and layouts. The submittal drawing (shop drawing) furnished by Nulite will adequately detail these configurations and sign-off is required to initiate production.

WARRANTY

5-year limited warranty on LED and driver from date of shipment. Refer to the full warranty details on nulite.lighting.

WEIGHT

Fixtures are 1.5 lbs/ft, Driver box weights vary per enclosure type and electrical configuration, consult factory.

APPROVALS

ETL listed, conforms to UL Standard 1598 and CSA Standard C22.2, indoor dry/damp locations.

TESTING AND CERTIFICATION

All of Nulite's LED components have been tested under **LM-80** guidelines ensuring 6000 hours of luminous flux data. Additionally Nulite can supply **LM-79** data on all luminaires. This data includes luminous flux, electrical power, efficiency, chromaticity as well as the diffusion of luminous intensity.