

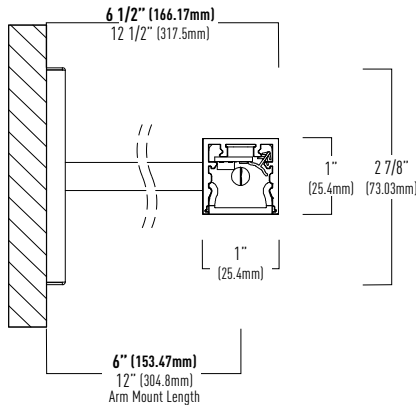
Regolo Zero RWZERO-D

Wall Arm
DIRECTIONAL
 Light Distribution



The Regolo Zero directional wall arm mount creates ideal lighting conditions for a multitude of spaces. Offered in a sub 1-inch aperture utilizing a directional light distribution and various mounting options.

- *Sub 1" aperture extruded acrylic lens*
- *Available in 3 standard paint finishes and custom colors*



Standard Individual Fixture Lengths*

2' (609 mm)	
3' (914 mm)	
4' (1219 mm)	
5' (1524 mm)	
6' (1828 mm)	
7' (2133 mm)	
8' (2438 mm)	

ORDERING INFORMATION / Example: RWZERO-D-FF-08-L35-SEC-UNV-D-11-WH-WAW06-8

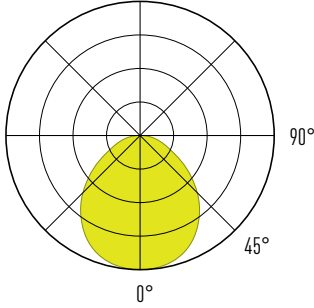
RWZERO					
SERIES	DISTRIBUTION	SHIELDING	LUMEN PACKAGE	CRI/ CCT	END CAP
RWZERO - Regolo Zero 1" Wide, 1" Tall, Directional Remote Wall Arm Mount	D - Directional	FF - Frosted Flush Lens BF - Black Flush Lens	03 - 300 lm/ft 04 - 400 lm/ft 05 - 500 lm/ft 08 - 800 lm/ft	L30 - 80 CRI, 3000K L35 - 80 CRI, 3500K L40 - 80 CRI, 4000K H30 - 90 CRI, 3000K H35 - 90 CRI, 3500K H40 - 90 CRI, 4000K	SEC - Square Rotating End Cap
			*Fixture specified with Black Flush Lens (BF) are only available in 03 and 04 lumen packages.		

VOLTAGE	DRIVER (REMOTE)	CIRCUITING / EMERGENCY OPTIONS		FIXTURE FINISH	
UNV - Universal 120V - 277V 120V - 120V 277V - 277V	Dimming 0-10V D - Dim to 1% (Standard) DO - Dim to 1%, Fade to Off DO2 - Eldoted Solodrive, Dim to 0% LUTRON - See options on page 2 DALI Dimming ELE - Eldoted Ecodrive, Dim to 1% ELS - Eldoted Solodrive, Dim to 0%	Qty of Power Circuits 1 - 1 Power	Qty of Control Circuits 1 - 1 Circuit	Options (Remote) B10 - 10 Watt Battery Pack (CEC Compliant) B14 - 14 Watt Battery Pack (CEC Compliant) B15 - 15 Watt Battery Pack (CEC Compliant) GTD - Generator Transfer Device (120V or 277V) EM - Dedicated Emergency Circuit	WH - White Painted Finish SV - Silver Painted Finish BK - Black Painted Finish CC - Custom Painted Color Finish

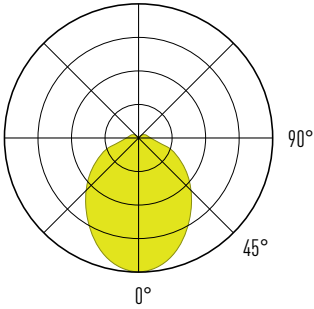
MOUNTING	LINEAR LENGTH
Structure Type (Remote Driver Power Supply) WA - Wall Arm Mount Adjustable 359° Beam Control (see page 3) (Remote "Grid" Driver Enclosure)	2 - 24" 3 - 36" 4 - 48" 5 - 60" 6 - 72" 7 - 84" 8 - 96" XX - Specify continuous run lengths in 1" increments
Mounting Hardware Finish W - White Mounting Plates and Stems B - Black Mounting Plates and Stems S - Silver Mounting Plates and Stems CC - Custom Color Mounting Plates and Stems	Arm Mount Length 06 - 6" Rigid Stem 12 - 12" Rigid Stem

PHOTOMETRICS

*LUMEN OUTPUT MAY VARY. 3500K / 80 CRI USED FOR RESULTS.



FF - Frosted Flush Lens			
PACKAGE	Lumens per ft	Watts per ft	Lumens per watt
03	293.9	3.022	97
05	506.4	5.242	97
08	808.4	8.875	91



BF - Black Flush Lens			
PACKAGE	Lumens per ft	Watts per ft	Lumens per watt
03	301.8	8.190	37
04	397.6	10.974	36

DRIVER INFORMATION

NULITE CAT#	DRIVER MANUFACTURER / SERIES	DIMMING / CONTROL PROTOCOL	DIM RANGE	NOTES/ DESCRIPTION
D	Signify Xitanium, Osram OTI	0-10v	100% - 1%	Standard Nulite driver, base fixture price
D0	Signify Xitanium, Osram OTI	0-10v	100%- 1% (Steps from 1% to 0% or OFF)	Standard Nulite driver, base fixture price
D02	Eldoted Solodrive	0-10v	100% - 0%	Logarithmic Dimming Curve
L11	Lutron Hi-Lume Premier (PE00E) Max lumen package 03	0-10v	100% - 0.1%	Hi-lume Premier 0.1% EcoSystem LED driver with Soft-on, Fade-to-Black dimming technology
L15	Lutron Hi-Lume Series (LDE1)	0-10v	100% - 1%	Hi-Lume 1% EcoSystem LED driver with Soft-on, Fade-to-Black dimming technology
ELE	Eldoted Ecodrive	DALI	100% - 1%	Logarithmic Dimming Curve
ELS	Eldoted Solodrive	DALI	100% - 0%	Logarithmic Dimming Curve

FIXTURE FINISH



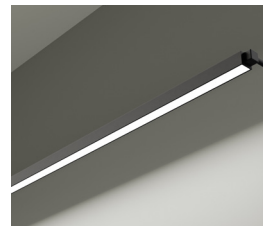
Regolo Zero is available in three standard powder coat painted finishes including White Painted Finish (WH), Silver Painted Finish (SV), Black Painted Finish (BK) and Custom Color Painted Finish (CC).



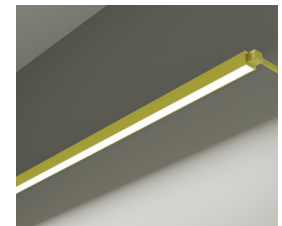
WH - White Painted Finish



SV - Silver Painted Finish

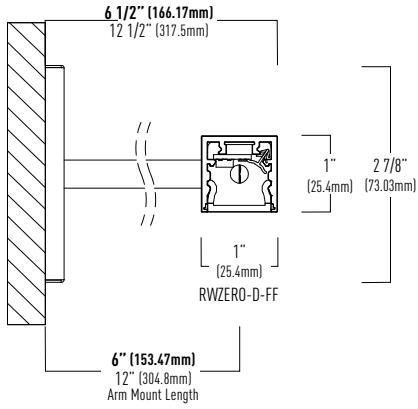


BK - Black Painted Finish



CC - Custom Color Painted Finish

CROSS SECTIONS



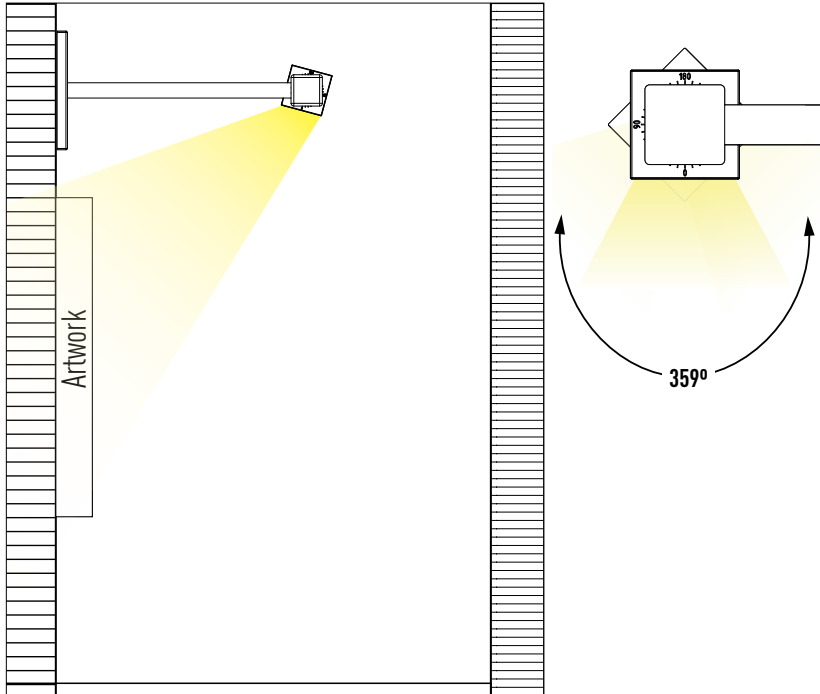
SHIELDING



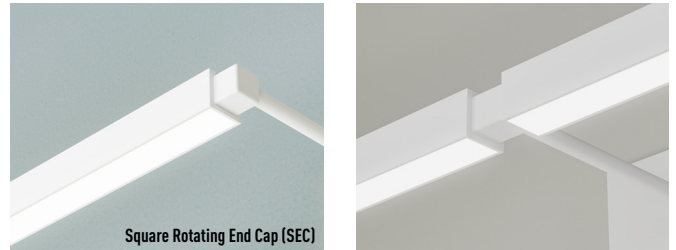
SQUARE ROTATING END CAP AIMING DETAIL

Freely adjust luminaires directional distribution with 359° of rotational tilt between mounting points. Secure desired beam angle using set screws.

Square Rotating End Cap Example



END CAP



Individual fixtures within a row configuration rotate independently between Square Rotating End Caps (SEC).

PRODUCT SPECIFICATIONS AND INFORMATION

HOUSING CONSTRUCTION

Luminaire housing is up to 70% recycled content constructed of extruded aluminum with machined aluminum or die cast zinc end caps. All hardware is stainless steel. Row and pivot joint components are machined or die cast aluminum.

Remote grid mounted driver enclosures (**WA**) and is constructed out of die-formed galvanized steel.

LEDS AND OPTICAL SYSTEM

Frosted Flush Lenses (**FF**) and Black Flush Lenses (**BF**) are co-extruded frosted acrylic with matte white reflector for even illumination.

Regolo Zero LA Series (**55B/55W/65B/65W**) low glare optic system offer beam patterns from 55° -65° and asymmetric distributions, utilizing optical grade acrylic TIR lenses.

STANDARD DIMMING LED DRIVERS

Standard constant current remote electronic 0-10v dimming input. Two standard driver options are available. Option (**D**) dims to 1% and option (**DO**) dims to 0% or OFF (the final 1 percent is a "step"). Both options are the same price and representative of the base fixture price. Options (**D**) and (**DO**) ship with 5 wires (Line Voltage- Black and White Wires, Low Voltage- Purple and Pink Wires, Ground- Green Wire)

DALI DRIVERS

Standard constant current DALI drivers available in either a dim to 1% (**ELE**) or dim to 0% (**ELS**). DALI fixtures ship with 5 wires (Line Voltage- Black and White Wires, Low Voltage- Purple and Pink Wires, Ground- Green Wire)

LIGHT OUTPUT

Standard factory set light outputs are programmed to within +/- 5% of the nominal light level at 3500K 80 CRI LEDs. Light output, wattage, and efficacy will vary across different CRI's CCT's. Refer to ies files on the website for actual detailed lighting performance data.

CIRCUITING

Each luminaire may have up to 1 line voltage (Power) circuits and 1 low voltage (Control) circuits. Two power circuits are required for independent control of left and right sections in linear luminaires, and low voltage control circuits are required for independent dimming of each circuit.

Examples:

- "1-1"- 1 power circuit (Line Voltage) and 1 control circuit (Low Voltage) > 5 wires total (1 Black Wire "Hot", 1 White Wire "Neutral", 1 Green Wire "Ground", and 2 low voltage control wires, 1 Pink Wire and 1 Purple Wire)

BATTERY PACKS

Maintenance free lithium ion battery pack, battery run time is 90 minutes. Recharge time of 24 hours. 10 Watt Battery Pack (**10W**) or 15 Watt Battery Pack (**15W**) are available. To calculate Battery Lumen Output, multiply luminaire efficacy by battery wattage. (example: 110 lms/watt (120) x B10 Battery Wattage (10) = 1100 lumens of egress illumination for 90 minutes.)

Battery options are not available in fixtures less than 4', and other limitations apply, consult factory. Entire "direct" luminaire housing is energized by battery for lengths up to 5'. 4' sections of luminaire of direct fixtures are energized by battery for 6' - 8' housing lengths. Emergency or night light circuit available (requires additional power circuit). Battery fixtures ship with an additional Orange "constant hot" Wire.

LUMEN MAINTENANCE

90% of initial light output (L90) at 48,000+ hours, 70% of initial light output (L70) at 72,000+ hours.

GENERATOR TRANSFER DEVICES

Generator Transfer Devices (**GTD**) emergency lighting control device senses the loss of normal power and switches the AC driver input power connection to a generator (or central inverter) supplied lighting circuit. When a Generator Transfer Device (**GTD**) is provided in a fixture it will ship with 3 additional wires (Orange Wire "constant hot", Black-Red Wire "generator hot", White-Red Wire "generator neutral").

FIXTURE FINISH

Standard finishes are powder coat painted White Painted Finish (**WH**), Silver Painted Finish (**SV**) or Black Painted Finish (**BK**). Consult factory for Custom Color Painted Finish (**CC**).

INSTALLATION AND MOUNTING

RWZERO is designed to mount to architectural wall surfaces, typically sheet rock frame-in construction. A rough-in junction box is required in addition to structural bracing within the wall for fixture support via factory provided mounting brackets and rigid stems. Wall mount cover plate for use with standard electrical junction box - Individual mount or continuous runs. Refer to installation instructions at nulite.lighting for details.

WARRANTY

5-year limited warranty on LED and driver from date of shipment. Refer to the full warranty details on nulite.lighting.

WEIGHT

Surface mounted luminaire weight is 0.5 lbs/ft. Remote power supply weights vary per remote driver enclosure type and electrical configuration, consult factory.

APPROVALS

ETL listed, conforms to UL standard 1598 / 8750 and CSA standard C22.2, indoor dry/damp locations.

TESTING AND CERTIFICATION

All of Nulite's LED components have been tested under LM-80 guidelines insuring 6000 hours of luminous flux data. Additionally Nulite can supply LM-79 data on all luminaires. This data includes luminous flux, electrical power, efficiency, chromatically as well as the diffusion of luminous intensity.