

Regolo 2 RP24-D

Pendant
DIRECT
 Light Distribution

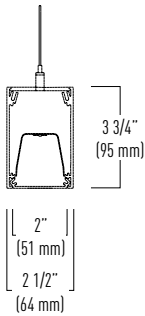


The Regolo RP24 series is a narrow, nominal 2" wide pendant luminaire system. The slender design is ideal for corridors, open and private offices, classrooms, lobbies and general purpose rooms.

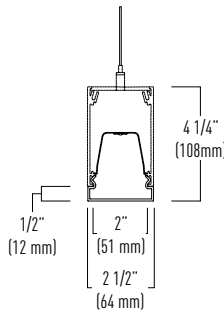
- **Extruded aluminum housing and heavy gauge end caps**
- **Configure into linear rows, complex patterns and individual geometric shapes**
- **Intelligent wireless technology inside from premier connected lighting partners**
- **Available in 3 standard paint finishes**

Quick Ship: 10 Day lead time for options highlighted in orange. Available in 4" nominal increments; includes 4' & 8' standalone fixtures and continuous rows. Limited to 1000 ft per order.

Standard Individual Fixture Lengths



RP24-D / Frosted Flush Lens



RP24-D / Frosted Drop Lens

ORDERING INFORMATION / Example: RP24-D-FRF-09-L40-UNV-D-11-WH-T1W048

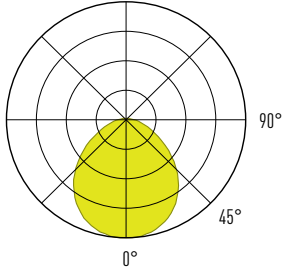
SERIES	DISTRIBUTION	DIRECT SHIELDING		LUMENS DOWN	CRI & CCT	
RP24 - Regolo 2 2" Wide, 1.5" Tall, Integral Driver, Pendant Mount	D - Direct	ST - Satin White FR - Frosted (High Efficiency)	F - Flush Lens D - Drop Lens (Opaque Ends) L - Drop Lens (Luminous Ends)	03 - 300 lm/ft 05 - 500 lm/ft 06 - 600 lm/ft 09 - 900 lm/ft 10 - 1000 lm/ft	L - 80 CRI H - 90 CRI	30 - 3000K 35 - 3500K 40 - 4000K

VOLTAGE	DRIVER	CIRCUITING		FINISH	
UNV - Universal 120 - 277V 120V - 120V 277V - 277V 347V - 347V	Dimming 0-10V D - Dim to 1% (Standard) DO - Dim to 1%, Fade to Off DO2 - Eldoled Solodrive, Dim to 0% LUTRON - See options on page 3	Qty of Power Circuits 1 - 1 Power 2 - 2 Power 3 - 3 Power	Qty of Control Circuits 1 - 1 Control 2 - 2 Control 3 - 3 Control	Options B10 - 10 Watt Battery Pack (CEC Compliant) B15 - 15 Watt Battery Pack (CEC Compliant) GTD - Generator Transfer Device (120V or 277V) EM - Dedicated Emergency Circuit	WH - White Painted Finish SV - Silver Painted Finish BK - Black Painted Finish CC - Custom Color

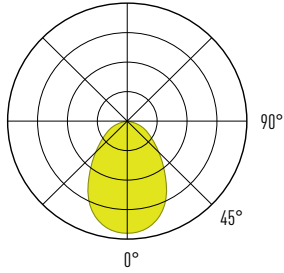
MOUNTING	OPTIONS	LINEAR ROWS	INDIVIDUAL SHAPES
Ceiling Type T1 - Aircraft Cable to 1" Grid T9 - Aircraft Cable to 9/16" Grid TS - Aircraft Cable to Slotted Grid SR - Aircraft Cable to Structure	Mounting Hardware Finish W - White Canopies and Cord B - Black Canopies and Cord	Suspension Length 048 - 48" Adjustable Aircraft Cable 120 - 120" Adjustable Aircraft Cable 240 - 240" Adjustable Aircraft Cable	LEV - Leviton Integral Sensor WS - Wattstopper (Legrand) Integral Sensor WLX - Wavelinx (Cooper Lighting Solutions) Integral Sensor NX - NX (Hubbel) Integral Sensor NLT - nLight (Acuity Brands) Integral Sensor ATH - Athena (Lutron) Integral Sensor LV - Vive (Lutron) Integral Sensor ENL - Enlighted Integral Sensor GLR - Fusing
		2 - 24" 3 - 36" 4 - 48" 5 - 60" 6 - 72" 7 - 84" 8 - 96" XX - Specify run lengths in 1/8" increments	SQX - X' Square TRX - X' Triangle YX - X' Leg Y-Shape XX - X' Leg X-Shape

PHOTOMETRICS

*LUMEN OUTPUT MAY VARY. 3500K / 80 CRI USED FOR RESULTS.



FRF - Frosted Flush Lens			
PACKAGE	Lumens per ft	Watts per ft	Lumens per watt
03	297	2.4	123
05	495	4.0	124
06	604	4.9	123
09	905	7.7	117
10	999	8.6	116



FRL - Frosted Drop Lens			
PACKAGE	Lumens per ft	Watts per ft	Lumens per watt
03	295	2.9	122
05	492	4.0	124
06	600	4.9	123
09	898	7.7	116
10	1004	8.8	114

DRIVER INFORMATION

NULITE CAT#	DRIVER MANUFACTURER / SERIES	DIMMING / CONTROL PROTOCOL	DIM RANGE	NOTES/ DESCRIPTION
D	Signify Xitanium, Osram OTI	0-10v	100% -1%	Standard Nulite driver, base fixture price
D0	Signify Xitanium, Osram OTI	0-10v	100%- 1% (Steps from 1% to 0% or OFF)	Standard Nulite driver, base fixture price
D02	Eldoled Solodrive	0-10v	100% - 0%	Logarithmic Dimming Curve
L11	Lutron Hi-Lume Premier (PEQOE) Max lumen package 03	0-10v	100% - 0.1%	Hi-Lume Premier 0.1% EcoSystem LED driver with Soft-on, Fade-to-Black dimming technology
L15	Lutron Hi-Lume Series (LDE1)	0-10v	100% - 1%	Hi-Lume 1% EcoSystem LED driver with Soft-on, Fade-to-Black dimming technology
ELE	Eldoled Ecodrive	DALI	100% - 1%	Logarithmic Dimming Curve
ELS	Eldoled Solodrive	DALI	100% -0%	Logarithmic Dimming Curve

Lens Options



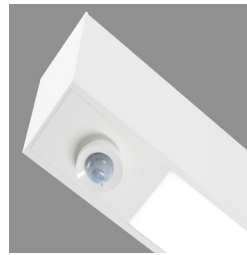
Frosted Lens

This diffuser is designed for a balance between efficiency and lens uniformity. (Transmission ~ 89%)

Satin White Lens

This diffuser is designed for visible lens uniformity. It's recommended for regressed lens configuration in our shallow housing. (Transmission ~ 69%)

DSOS Sensor Option:



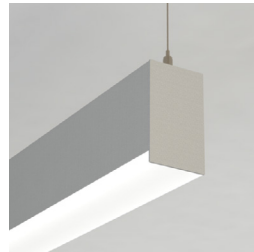
Integral Daylight and Occupancy Sensor

The Regolo series is available with a combination PIR occupancy and daylight sensor for daylight harvesting. Consult factory for more details on sensor operation and commissioning.

"L" Luminous Acrylic End Drop Lens

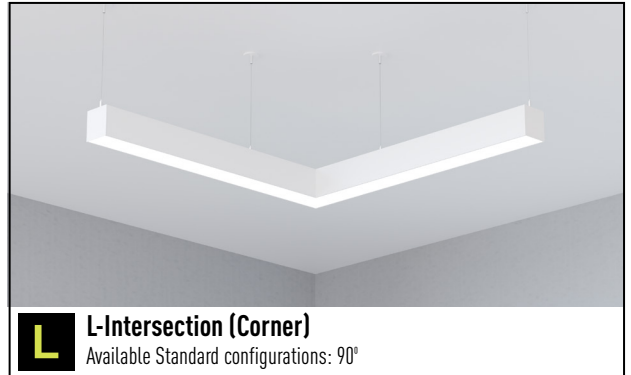
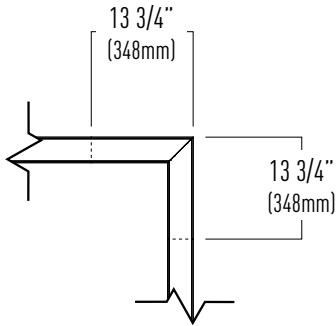


Opaque Metal End Drop Lens "D"

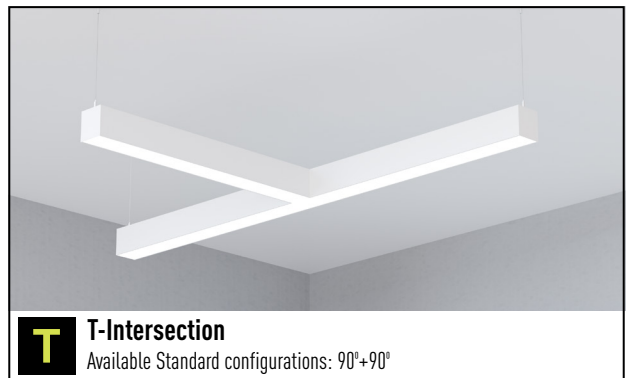
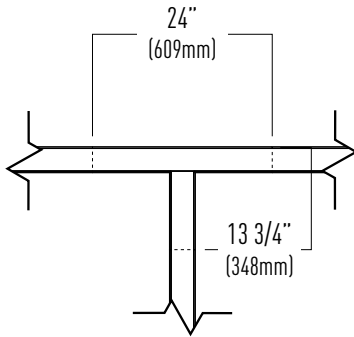


STANDARD INDIVIDUAL SHAPES - LINEAR MOUNTING DETAIL

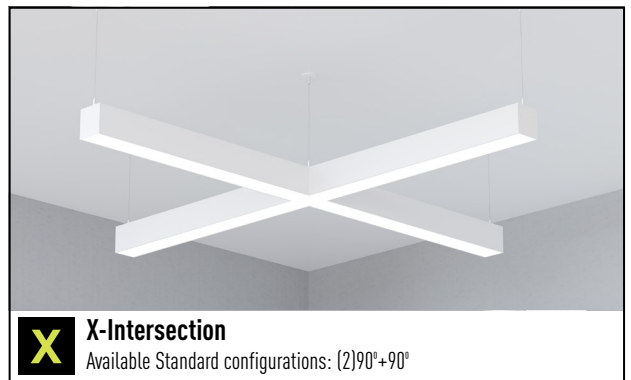
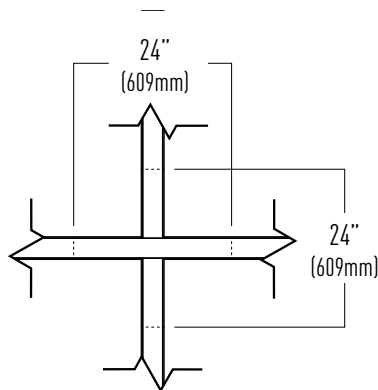
L-Intersection



T-Intersection



X-Intersection



PRODUCT SPECIFICATIONS AND INFORMATION

HOUSING CONSTRUCTION

The housing is a hybrid of extruded aluminum side rails and formed 20 gauge cold rolled steel. Housing standard finish is electrostatically applied textured white powder coat paint.

LEDS AND OPTICAL SYSTEM

Optical systems consist of a single row of mid power constant current LEDs mounted to a removable highly reflective powder coated metal reflector. Frosted lens diffuses LED light source while delivering high efficacy general illumination.

STANDARD DIMMING LED DRIVERS

Standard constant current integral electronic 0-10v dimming input. Two standard driver options are available. Option **D** dims to 1% and option **DO** dims to 0% or OFF (the final 1 percent is a "step"). Both options are the same price and representative of the base fixture price. Options **D** and **DO** ship with 5 wires (Line Voltage- Black and White wires, Low Voltage- Purple and Pink wires, Ground- Green wire).

DALI DRIVERS

Standard constant current DALI drivers available in either a dim to 1% (**ELE**) or dim to 0% (**ELS**). DALI fixtures ship with 5 wires (Line Voltage- Black and White wires, Low Voltage- Purple and Pink wires, Ground- Green wire).

LIGHT OUTPUT

Standard factory set light outputs are programmed to within +/- 5% of the nominal light level at 3500K 80 CRI LEDs. Light output, wattage, and efficacy will vary across different CRI's CCT's. Refer to ies files on the website for actual detailed lighting performance data.

CIRCUITING

Each luminaire may have up to 2 line voltage (Power) circuits and 2 low voltage (Control) circuits. Two power circuits are required for independent control of uplight and downlight in bi-direct luminaires, and low voltage control circuits are for independent dimming of each circuit.

Examples:

- **"1-1"**- 1 power circuit (Line Voltage) and 1 control circuit (Low Voltage) > 5 wires total (1 Black Wire "Hot", 1 White Wire "Neutral", 1 Green Wire "Ground", and 2 low voltage control wires, 1 Pink wire and 1 Purple wire)
- **"2-2"**- 2 power circuits (Line Voltage) and 1 control circuit (Low Voltage) > 9 wires total (2 Black Wires "Hot", 2 White Wires "Neutral", 1 Green Wire "Ground", and 4 low voltage control wires, 2 Pink wires and 2 Purple wires)

BATTERY PACKS

Recyclable Ni-Cad battery pack, battery run time is 90 minutes. Recharge time of 24 hours. Battery packs up to 15W are available. To calculate Battery Lumen Output, multiply luminaire efficacy by battery wattage. (example: 120 lms/watt **(120) x B10 Battery Wattage (10) = 1200** lumens of egress illumination for 90 minutes.) Battery option not available in fixtures less than 4', and other limitations apply, consult factory. Entire "direct" fixture housing is energized by battery for lengths up to 5'. Half of direct fixture is energized by battery for 6' - 8' housing lengths. Emergency or night light circuit available (requires additional power circuit). Battery fixtures ship with an additional Orange "constant hot" wire.

LUMEN MAINTENANCE

90% of initial light output (L90) at 100,000+ hours, 70% of initial light output (L70) at 200,000+ hours calculated.

GENERATOR TRANSFER DEVICES

The GTD emergency lighting control device senses the loss of normal power and switches the AC driver input power connection to an unswitched, generator (or central inverter) supplied lighting circuit. GTD fixtures ship with 3 additional wires (Orange wire "constant hot", Black-Red wire "generator hot", White-Red wire "generator neutral").

FIXTURE FINISHES

Standard finish is powder coat painted white (**WH**), black (**BK**) or silver (**SV**). Consult factory for custom color (**CC**) finishes.

INSTALLATION AND MOUNTING

Pendant luminaires mount to Acoustical Grid Ceilings (**T1,T9,TS**), and Various Structural Ceilings (**SR**). The product is suspended with adjustable aircraft cable up to 240" from ceiling surface. Luminaires may be individually mounted or continuously mounted in linear configurations or complex geometric patterns. Refer to data sheets and installation instructions for details on fixture dimensions, mounting location dimensions and available luminaire configurations.

WARRANTY

5-year limited warranty on LED and driver from date of shipment. Refer to the full warranty details on [nulite.lighting](https://www.nulite.lighting)

WEIGHT

Fixtures are 3.25 lbs/ft, Driver box weights vary per enclosure type and electrical configuration, consult factory.

APPROVALS

ETL listed, conforms to UL Standard 1598 and CSA Standard C22.2, indoor dry/damp locations.

TESTING AND CERTIFICATION

All of Nulite's LED components have been tested under **LM-80** guidelines insuring 6000 hours of luminous flux data. Additionally Nulite can supply **LM-79** data on all luminaires. This data includes luminous flux, electrical power, efficiency, chromaticity as well as the diffusion of luminous intensity.