

STI SINGLE-GANG PROTECTIVE COVER



STI-6519

PRODUCT OVERVIEW

Inexpensive and highly durable, this cover with continuous piano style hinge can be used in a wide range of applications. It can take hard knocks in stride while protecting push buttons, electrical switches, digital keypads, electrical outlets, biometrics and volume or lighting controls to name a few. The cover, hinge and frame are molded of super tough polycarbonate material. Comes complete with installation screws.

BACKED BY A THREE YEAR GUARANTEE

As all STI protective covers, the Single-Gang Protective Cover is backed by a three year guarantee against breakage in normal use. It is also highly cost effective and easy to install.

KEY FEATURES

General Information

- Protects against both vandalism and accidental damage.
- Helps stop ice and snow from making keypad units difficult to operate.
- Three year guarantee against breakage of polycarbonate in normal use.

Design

- Can take hard knocks in stride.
- Stainless steel torsion spring maintains the cover in a closed position.

Construction

- Molded from tough polycarbonate material.

Installation

- Fast, easy installation.
- Cover includes mounting frame.
- Mounts directly through product mounting plate to electrical box.
- Cover comes complete with piano hinge, mounting plate and hardware.
- Typical working properties of polycarbonate are -40° to 250°F (-40° to 121°C).

Options

- Many uses include protecting push button units, keypads, electrical outlets, volume or lighting controls and shutdown switches.
- Can be secured with Break-Away Seal Kit (SUB-65).

STI Single-Gang Protective Cover

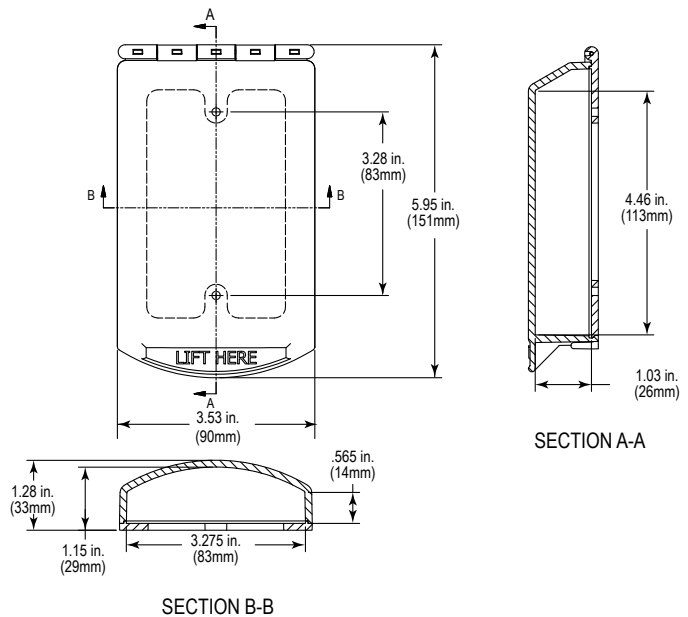
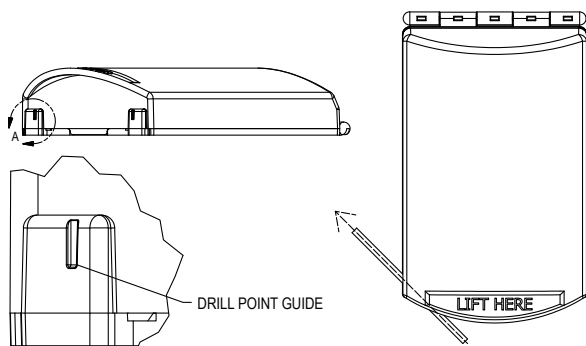
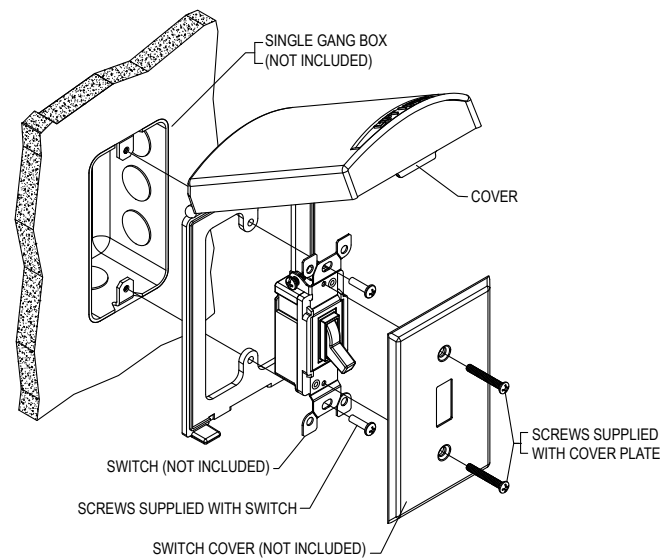
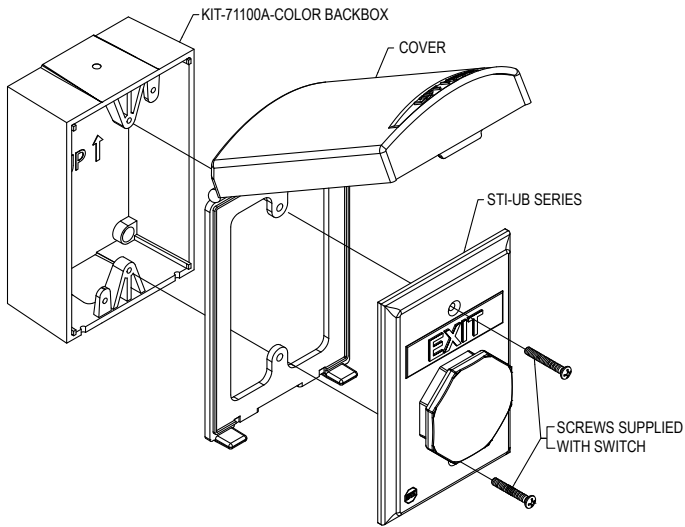
Dimensions and Technical Information

MODEL AVAILABLE

STI-6519 Single-Gang Protective Cover

WARRANTY

Three year guarantee against breakage of polycarbonate in normal use.



Safety Technology International

2306 Airport Road
Waterford, MI 48327, USA
info@sti-usa.com
www.sti-usa.com
Tel: 248-673-9898

Taylor House
34 Sherwood Rd., Bromsgrove,
Worcs., B60 3DR, England

info@sti-emea.com
www.sti-emea.com
Tel: +44 (0) 1527 520 999

Unit 7A Lockheed Avenue
Airport Business Park
Waterford X91 HWF2 Ireland