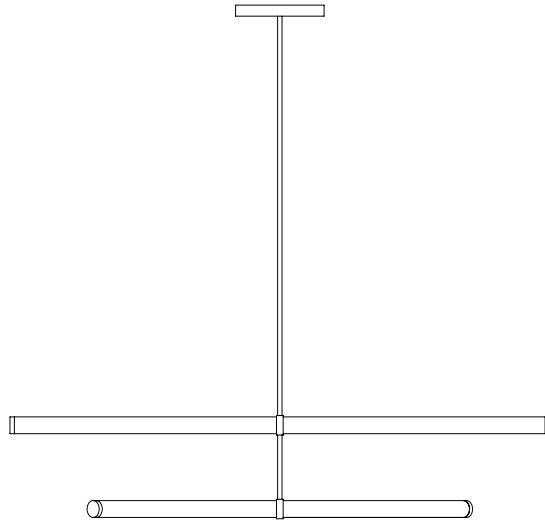


PERSPECTIVE



TURN PARALLEL PENDANT 02

A minimalist, elegant pendant light in brushed and patinated metals adds an architectural sophistication to a space.

PRODUCT TYPE

Pendant

LAMP SPECIFICATIONS

10 W LED / Warm White 3000K /
800 Lumens / Dimmable
LED 24V transformer supplied

DIMENSIONS

(H) 230mm
(W) 1240mm
(D) 38mm
Excludes Rod
Ceiling Rose 110mm

Up to 1 metre rod inclusive in price
Over 1 metre rod additional \$75

BRASS

- Use soft cloth or feather duster to remove dust.

GLASS

- Use a soft cloth or feather duster to remove dust.

INSTALLATION & WIRING

- The Chandelier must be installed by a qualified electrician exclusively using the components provided.
- The ceiling rose cap conceals the wiring and transformer. Fix to the ceiling with screws provided.
- Compatible with leading edge and • DALI dimming systems.
- All components are compliant with New Zealand and Australian safety standards.

PRECAUTIONS

- Keep out of direct heat and sunlight

WARRANTY AND EXCHANGE POLICY

- Refer to website: snellingstudio.com