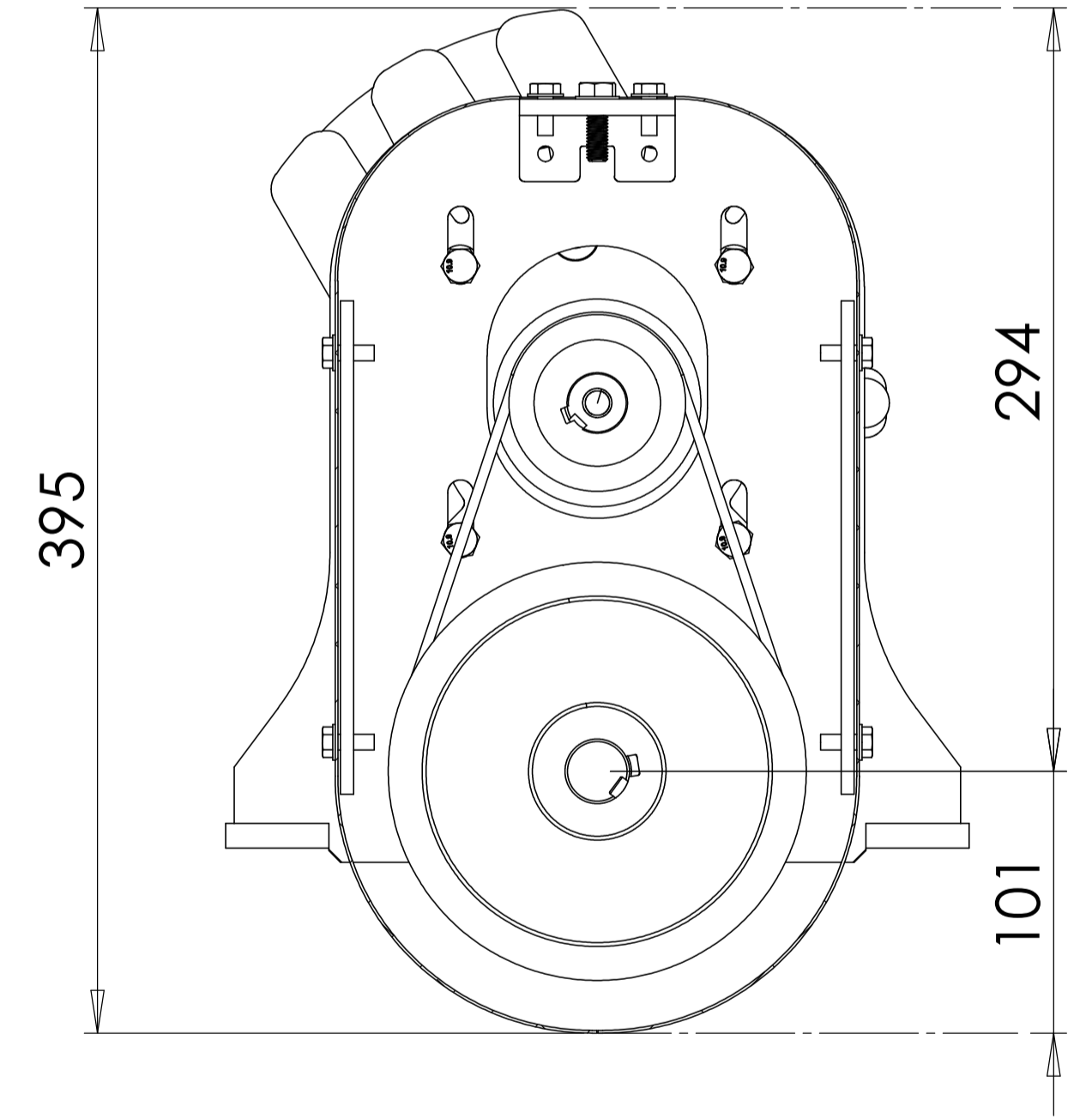
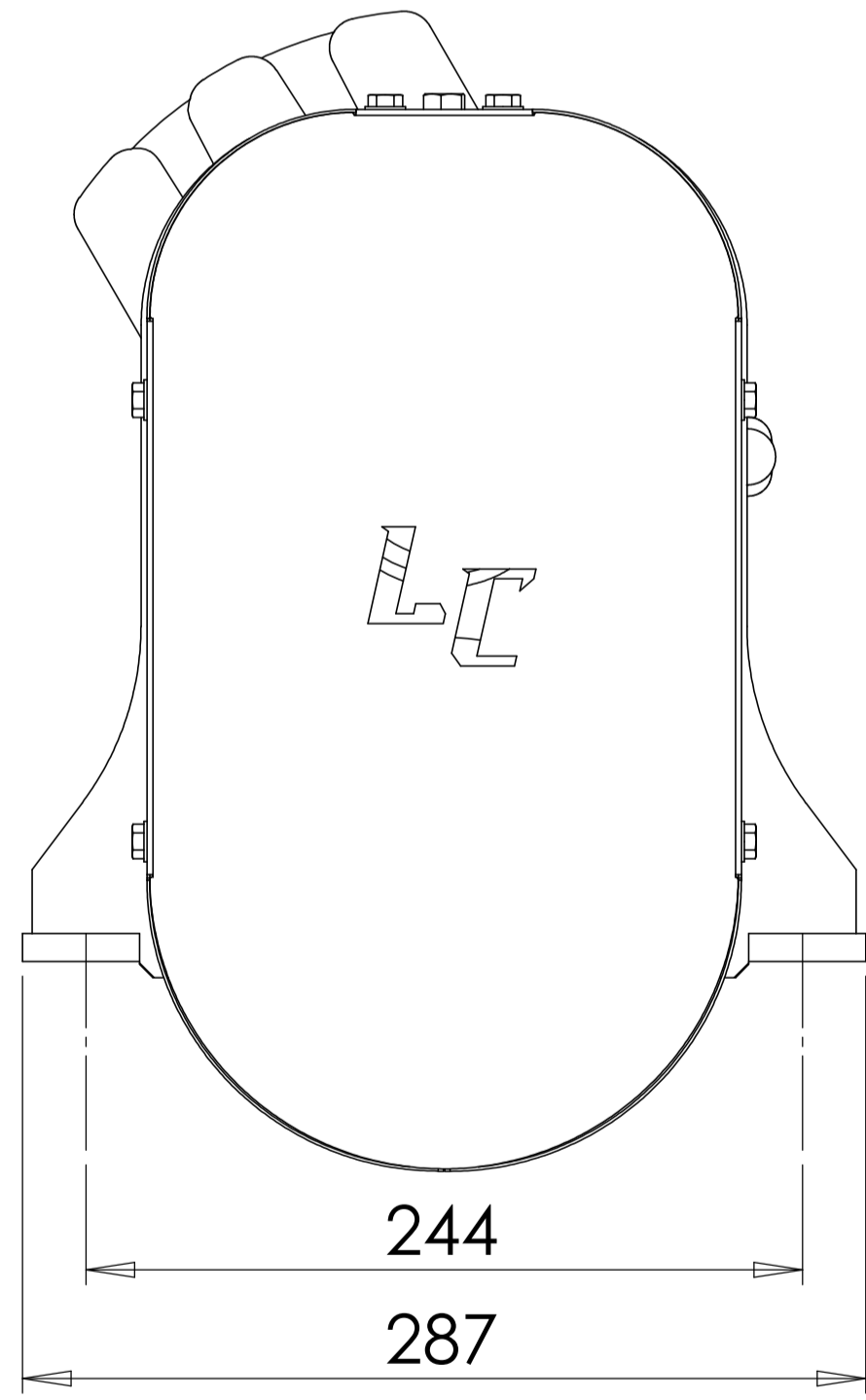
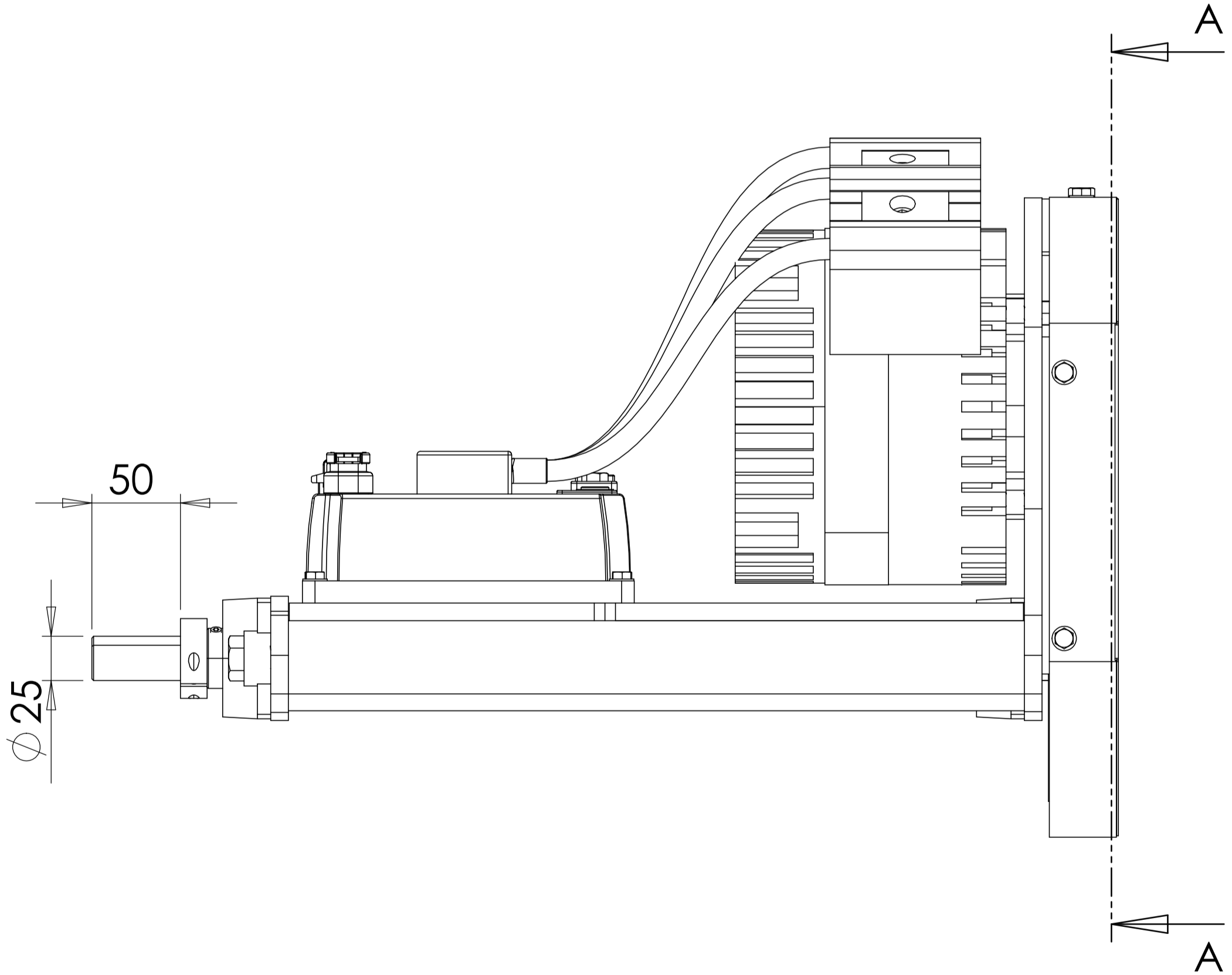
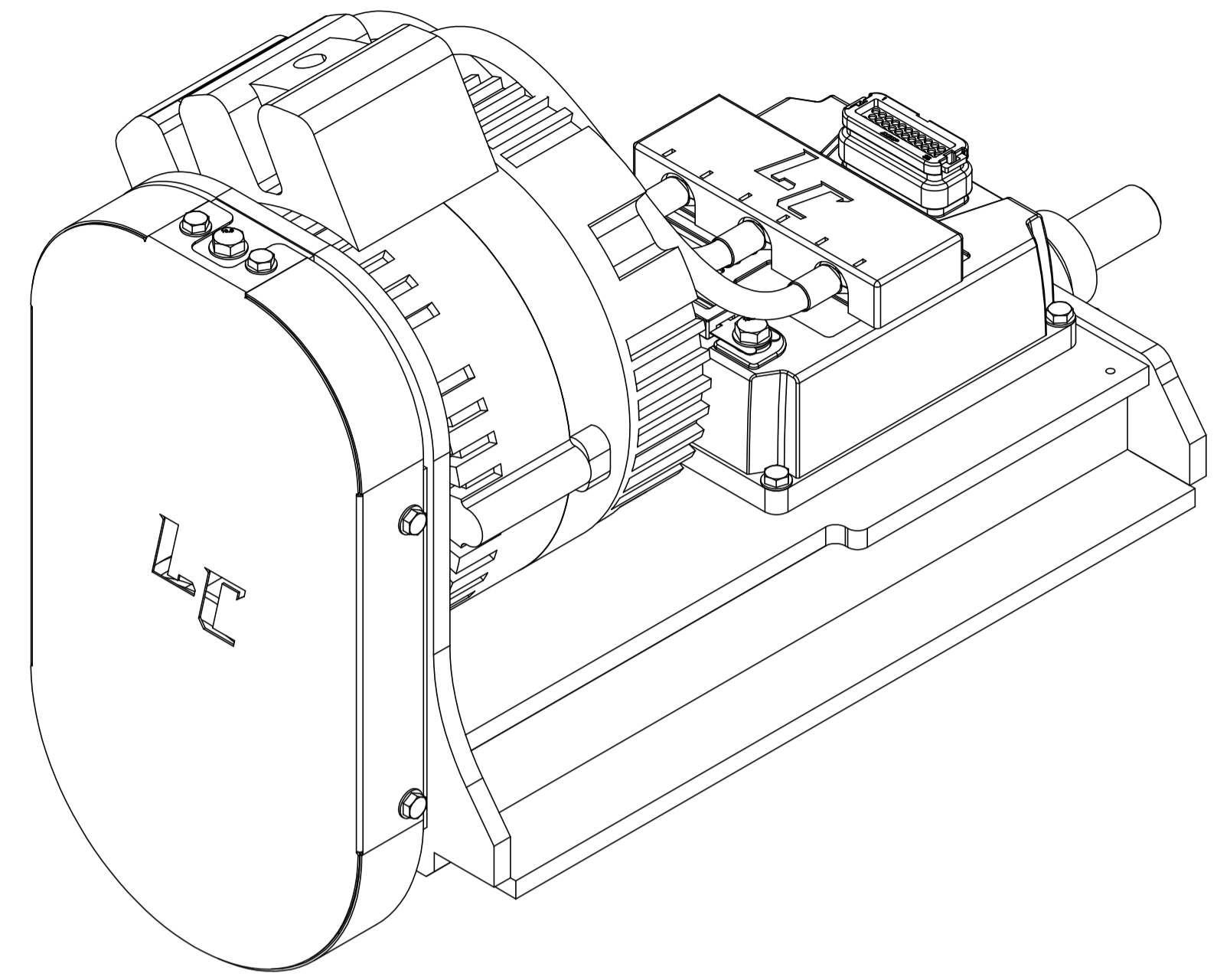
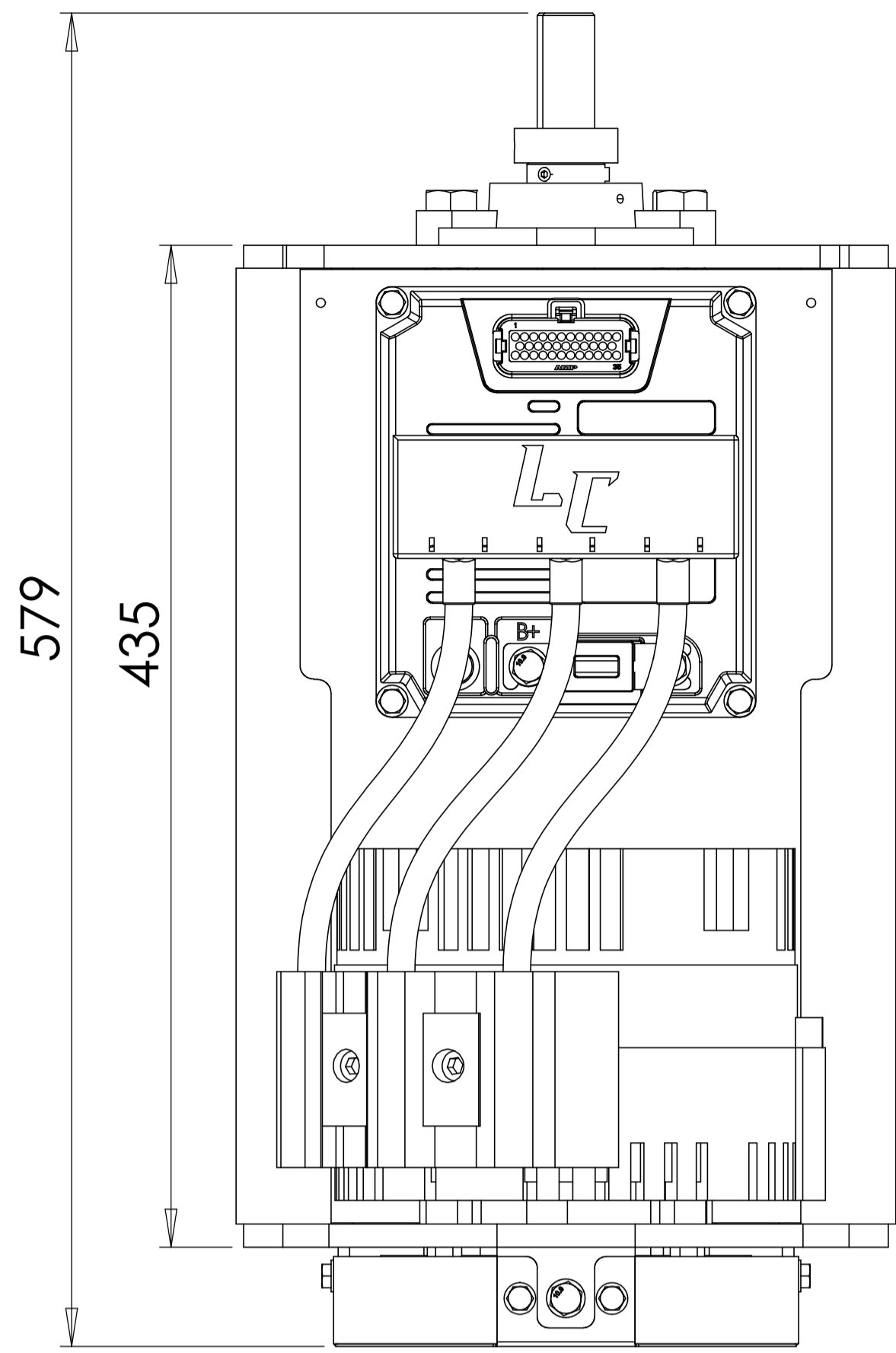
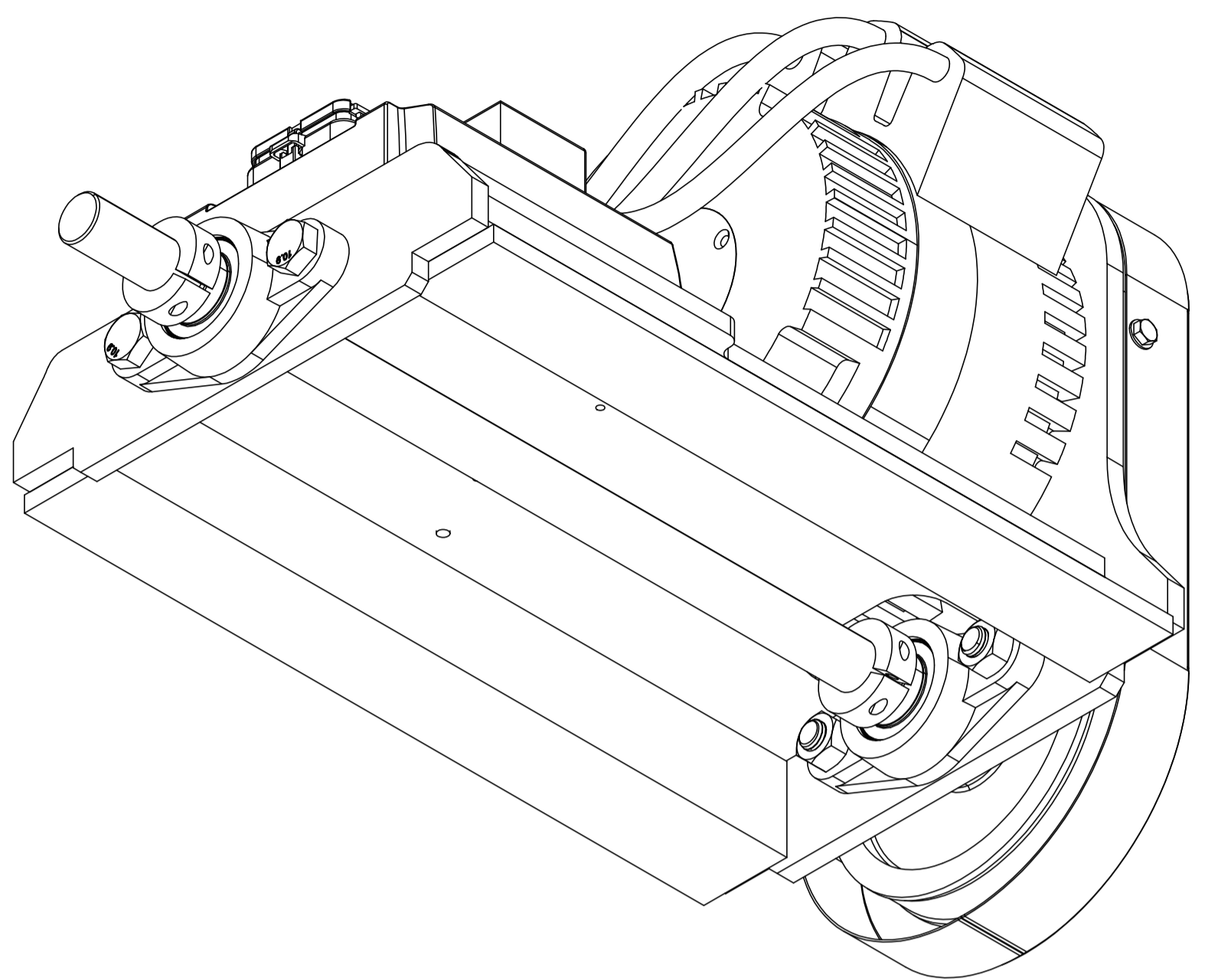


8 7 6 5 4 3 2 1

F
E
D
C
B
A

F
E
D
C
B
A



SECTION A-A

	NAME	DATE
DRAWN	SN	2-12-22
CHK'D	JM	
APP'V'D		
REVISION	D	

B-Drive 5

General Assembly



DWG NO. **LC-BD5-GA**

A3

SCALE: 1:5

SHEET 1 OF 1

8 7 6 5 4 3 2 1