

8 7 6 5 4 3 2 1

F

F

E

E

D

D

C

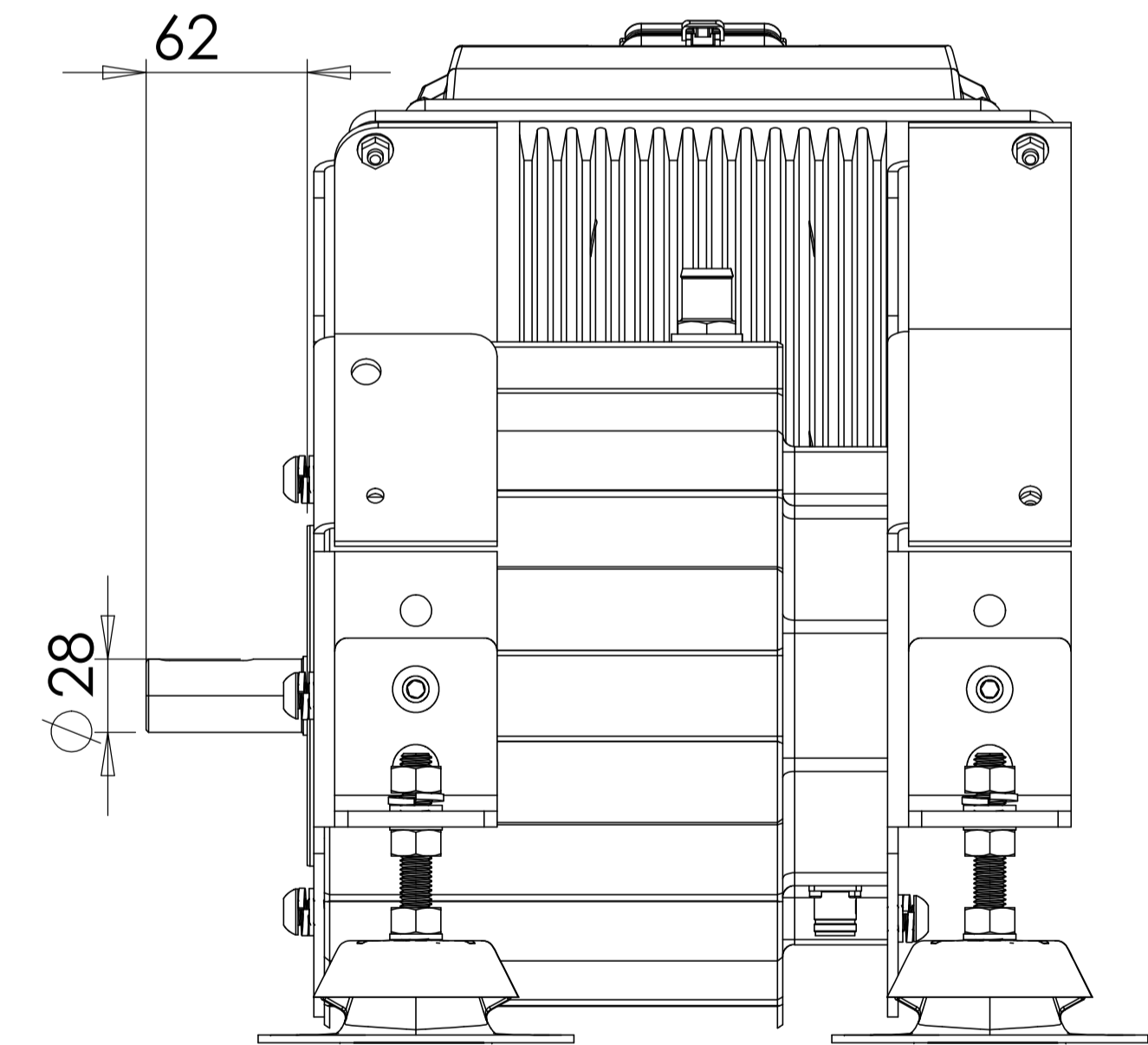
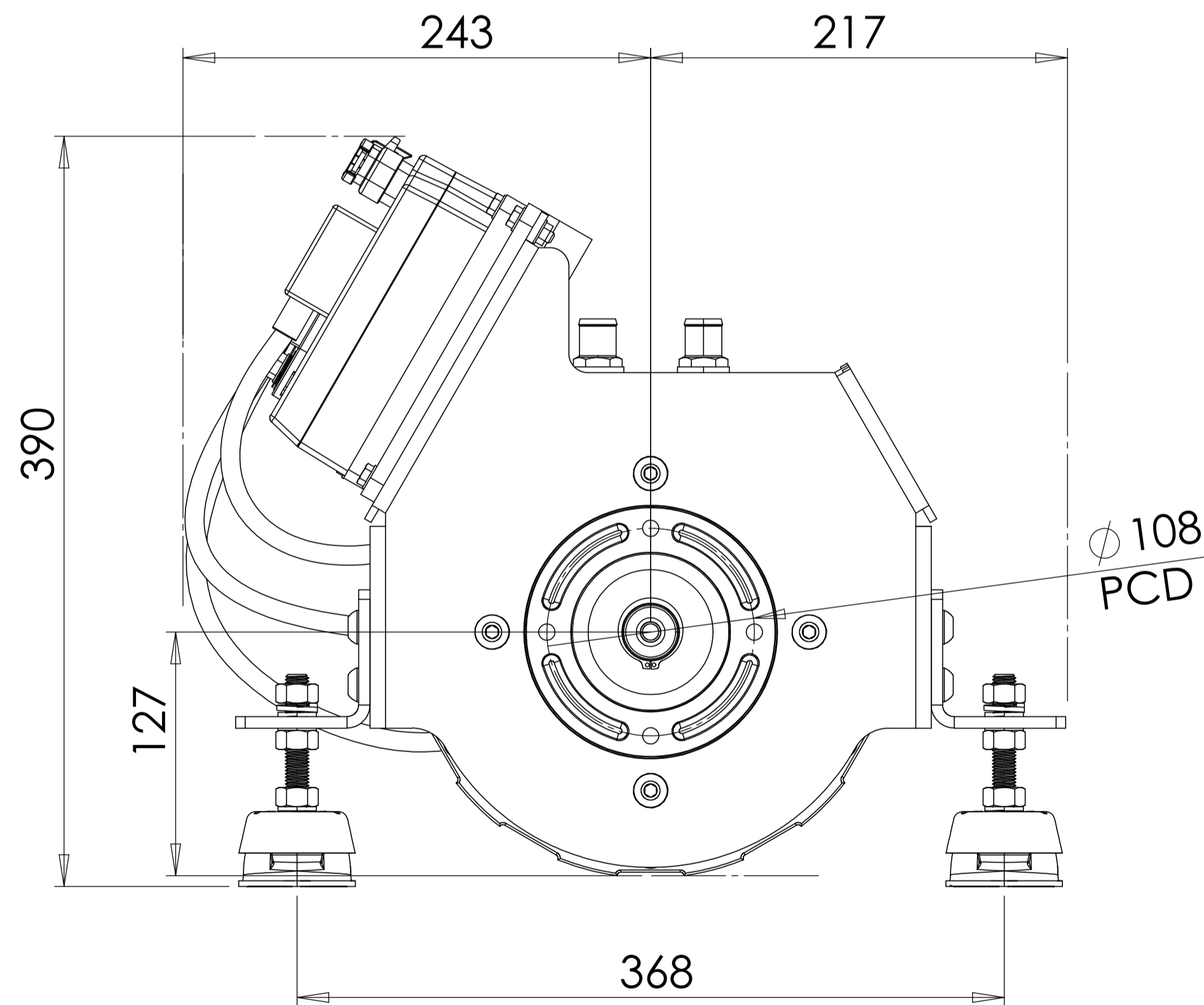
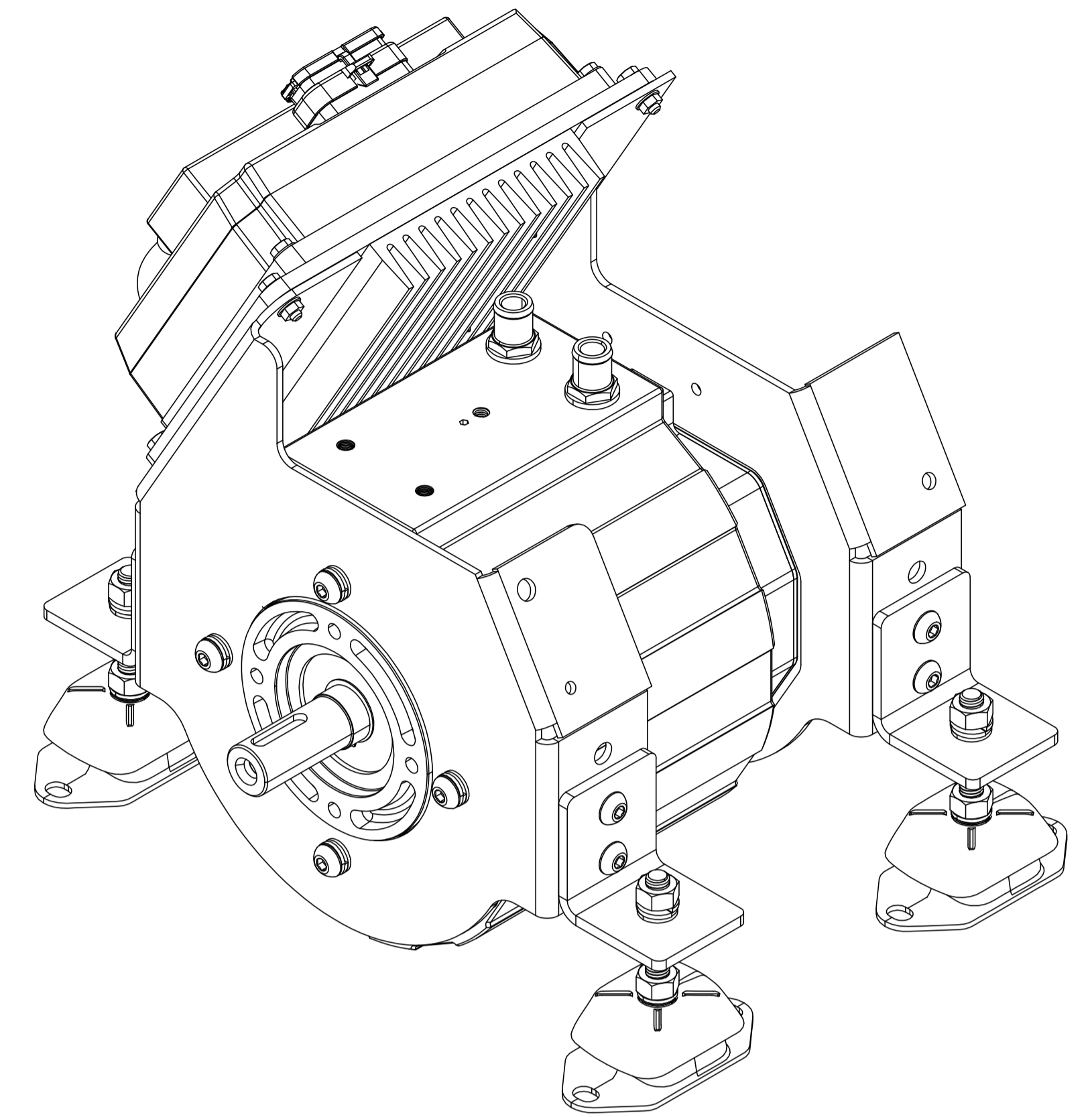
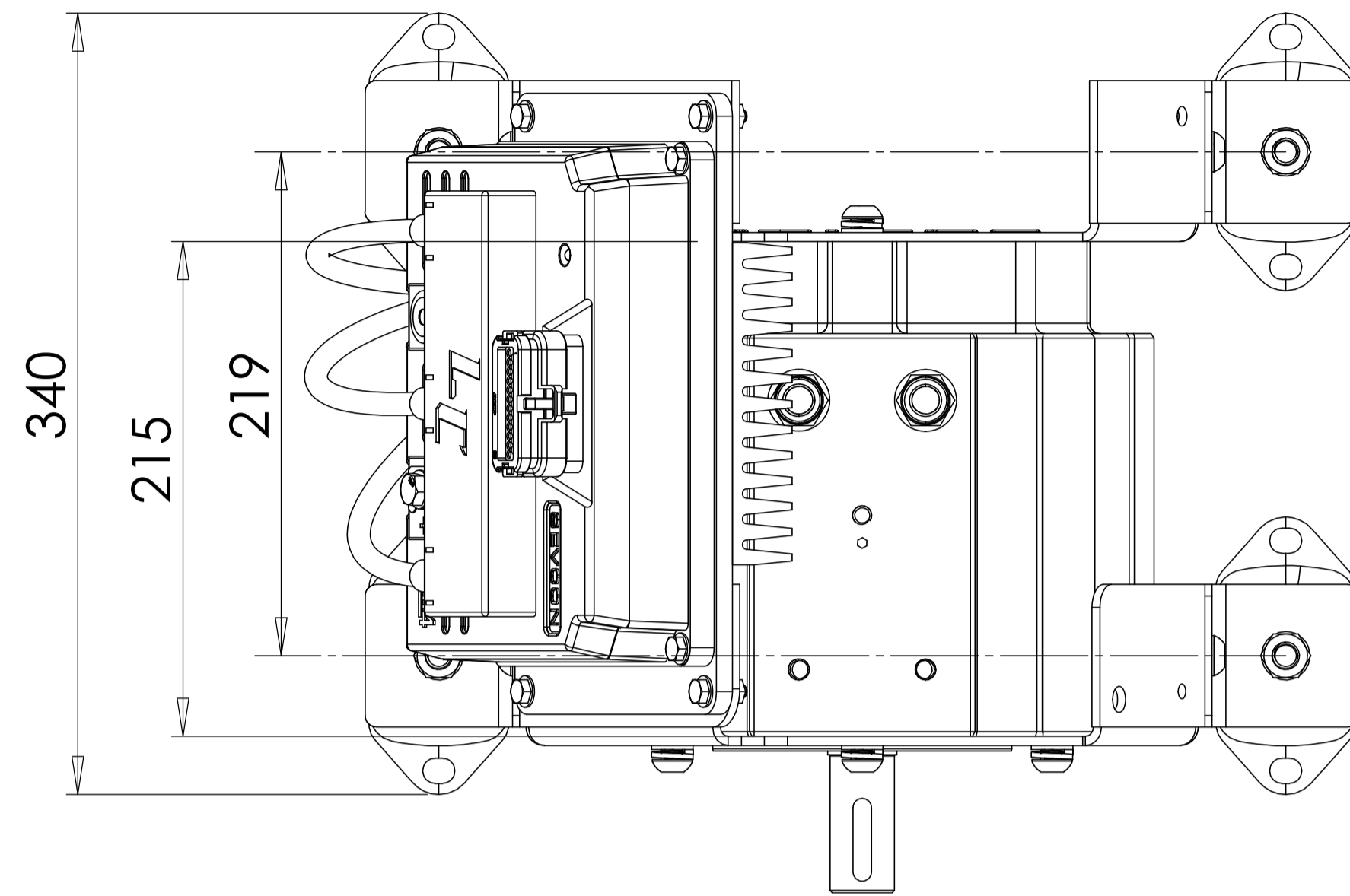
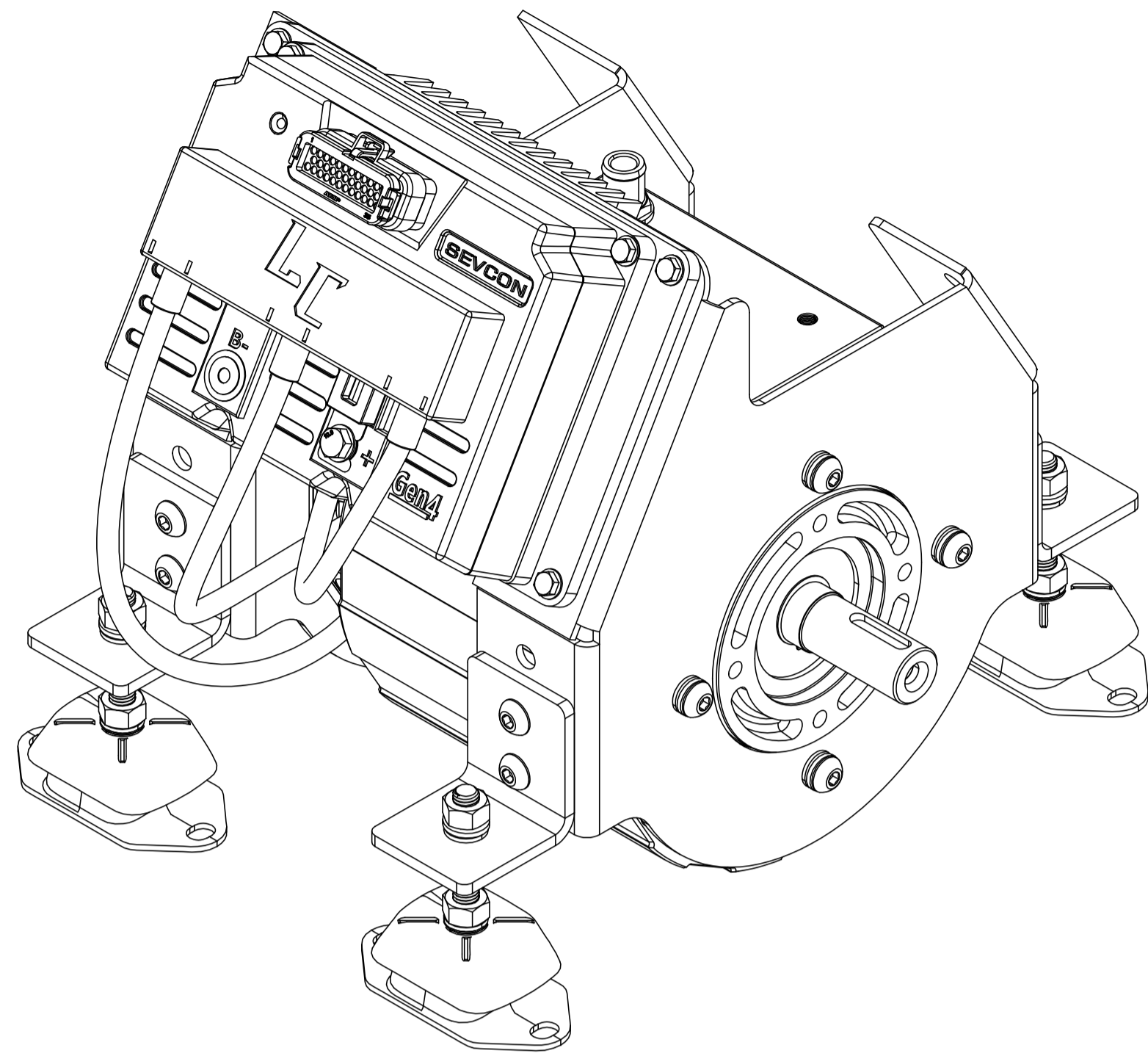
C

B

B

A

A



	NAME	DATE
DRAWN	SN	2-12-22
CHK'D	JM	
APP'V'D		
REVISION	D	

D-Drive 5

General Arrangement



DWG NO. **LC-DD5-GA** A3

8 7 6 5 4 3 2 1