







# Laurent Atelier 01



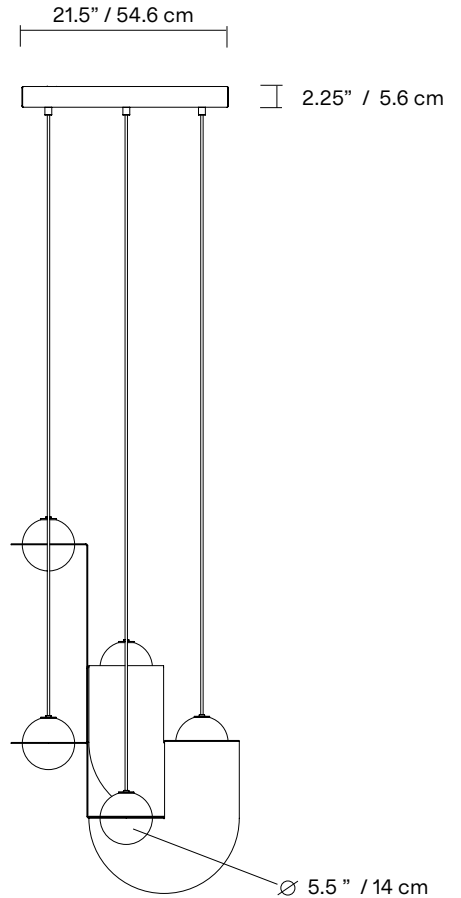
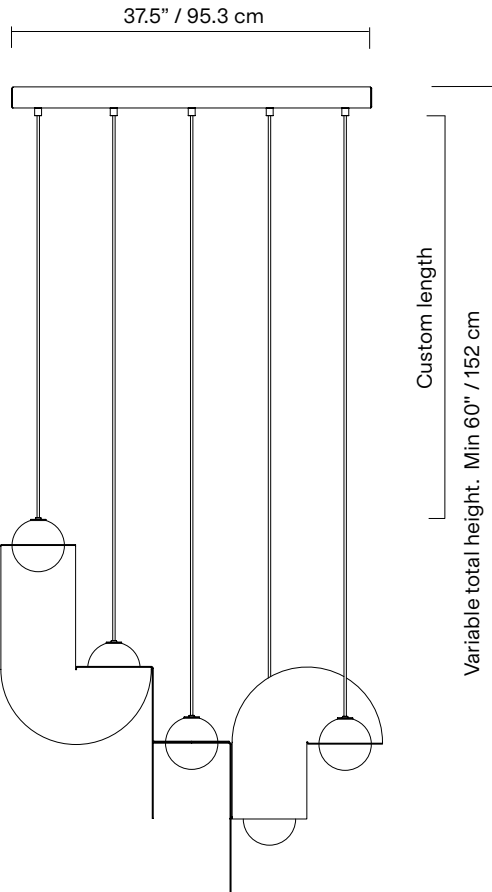
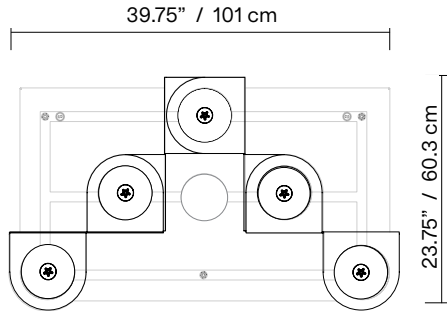
This Laurent variation is poetic simplicity at its best. Inspired by the House of Cards game created by Charles and Ray Eames, its composition is meant to appear playful, like modules piled on top of each other in happenstance. Reminiscent of a children's mobile, it adds depth and movement to the original nomenclature of the Laurent, thus unfolding its full potential.

<b>TYPE</b>	Suspension
<b>CONSTRUCTION</b>	Powder coated aluminum and steel frame Powder coated aluminum canopy Brass or powder coated globe holder Handblown opaline globe Polyester cord
<b>SPECIFICATIONS</b>	Source: LED lamp provided (G9 base) Power consumption: 5x 4.5W  Colour temperature: 2700K included * 3000K available upon request colour rendering index: 90 CRI standard expected lifetime: 15 000h  Lumen output: 1595lm
<b>CONTROL</b>	Refer to our recommended dimmer list on page 6
<b>CORD LENGTH</b>	Custom length
<b>WEIGHT</b>	35.5lbs / 16 Kg
<b>CERTIFICATIONS</b>	     IP20 
<b>WARRANTY</b>	2 years

## NOTES

- Luminaire total height (ceiling to lowest point of luminaire)  
Min - 60" / 152 cm  
Max - Variable, please specify
- Luminaire height is not adjustable on site
- Available for slanted ceiling - 45° or less (see offset mounting option on next page)
- Dimensions are approximate and may vary slightly

## SURFACE MOUNTED

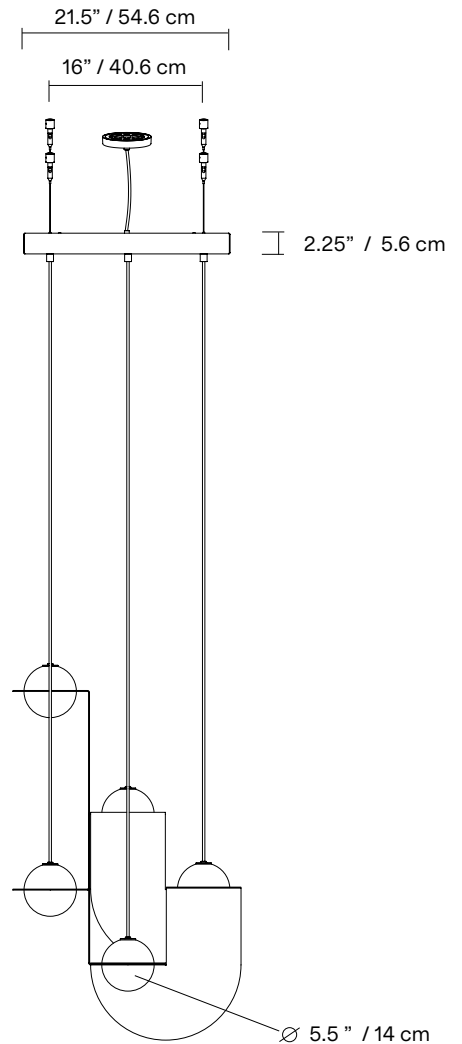
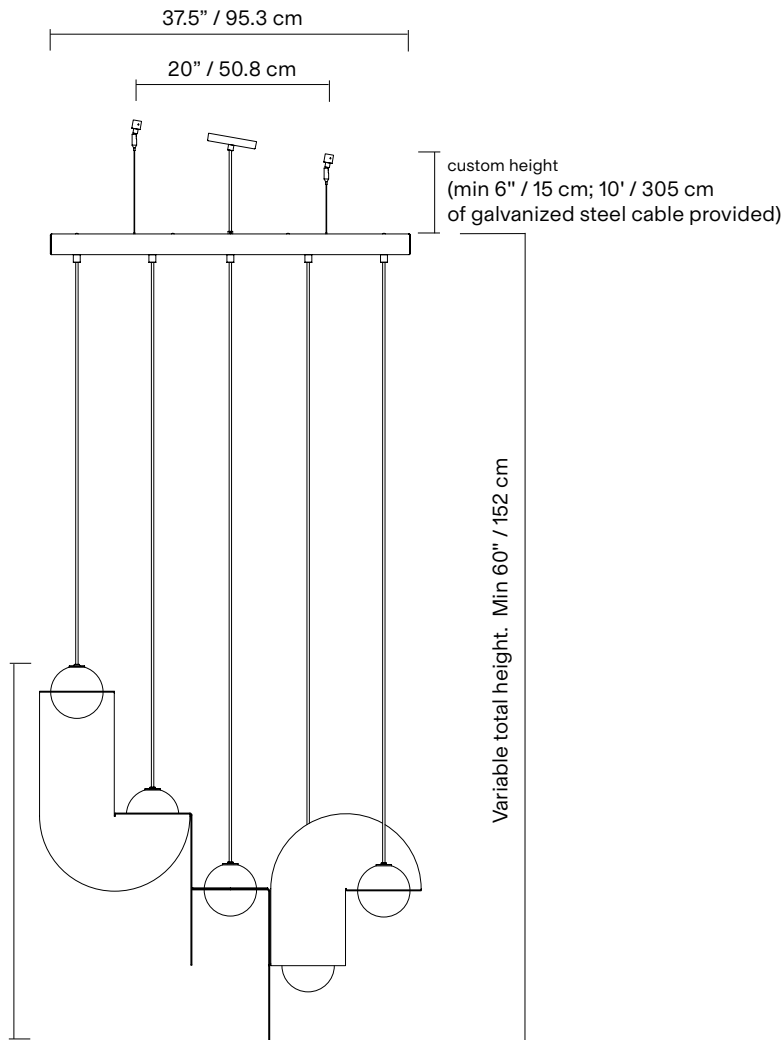
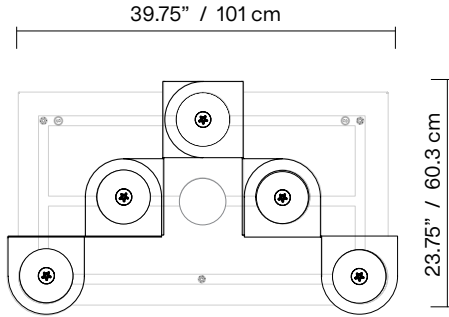


## Suggested installation

### NOTES

- Luminaire total height (ceiling to lowest point of luminaire)  
Min - 66" / 168 cm  
Max - Variable, please specify.
- Luminaire height is not adjustable on site
- Canopy height is adjustable on site
- Luminaire can be installed on a slanted ceiling - 45° or less
- Dimensions are approximate and may vary slightly

### OFFSET MOUNTED (for slanted ceiling or offset canopy)



## FINISH



**PP**  
Textured  
poppy



**AU**  
Textured  
aubergine

## CORD AND GLOBE HOLDER



**BG**  
Beige



**BR**  
Brass

## CANOPY AND MOUNTING SYSTEM (offset canopy and anchors)



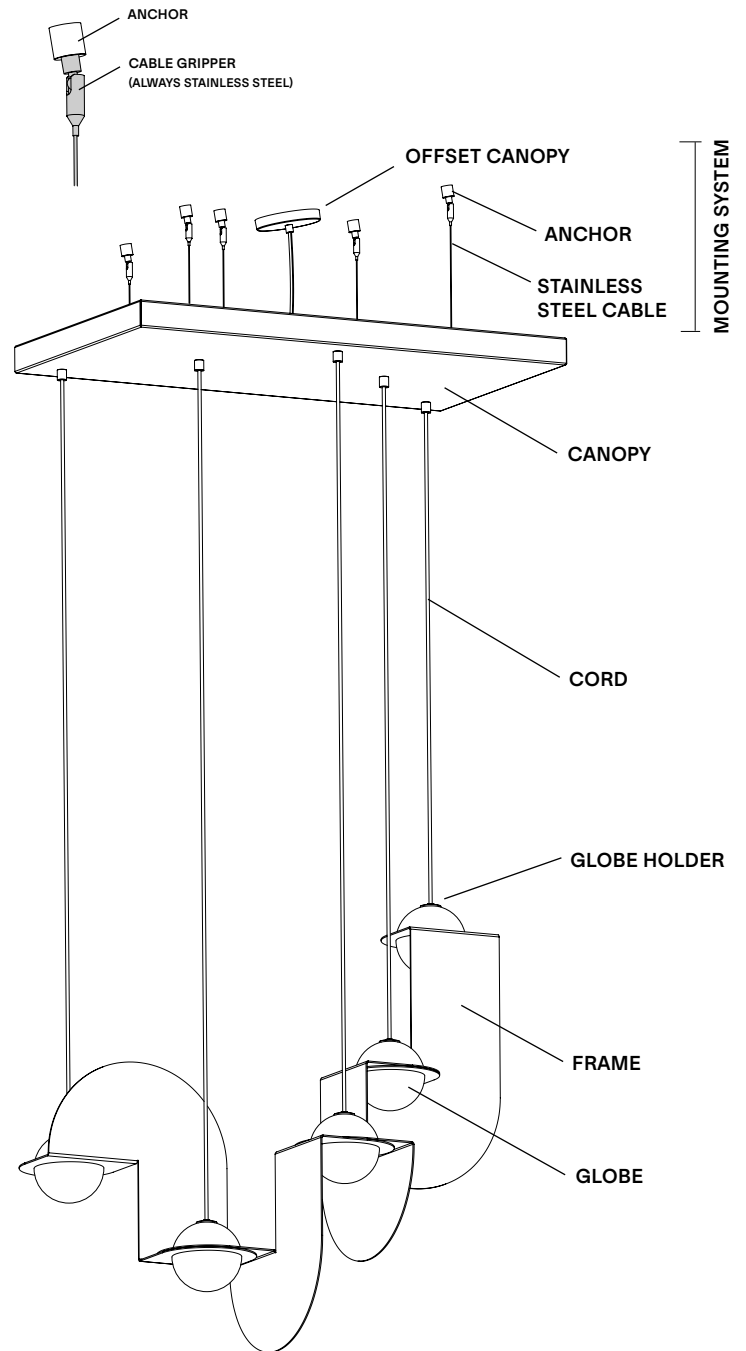
**WH**  
Textured  
white

## NOTES

- Must be installed by an electrician
- Not protected against liquids (refer to IP20)
- Additional charges for modifications or for special orders
- Please refer to maintenance sheet on website for cleaning instructions

## LAMP ANATOMY

(Offset canopy)



		Example	Fill with your selection
<b>COLLECTION</b>	<b>LRT</b> Laurent	LRT	LRT
<b>MODEL</b>	<b>51</b>	51	<b>51</b>
<b>FRAME</b>	<b>PP</b> Textured poppy <b>AU</b> Textured aubergine <b>CC</b> Custom colour*	PP	
<b>CORD AND GLOBE HOLDER</b>	<b>BG</b> Beige and brass <b>CC</b> Custom colour*	BG	
<b>CANOPY</b>	<b>WH</b> Textured white <b>CC</b> Custom colour*	WH	
<b>MOUNTING TYPE</b>	<b>SM</b> Surface mounted <b>OS</b> Offset mounted	SM	
<b>MOUNTING TYPE FINISH**</b>	<b>WH</b> Textured white <b>CC</b> Custom colour*		
<b>FULL SKU</b>		LRT51PPBGWHSM	

**NOTES**

\*Custom colour available upon request. Material library on website.  
 \*\*To choose only with offset mounted option.

## DIMMER LIST COMPATIBILITY FOR G9 LED BULBS – 120V

The dimming technology offering the best results is ELV (electronic low voltage) dimmers with reverse phase or trailing edge control.

DIMMER BRAND	MODEL	MIN LEVEL	MAX LEVEL	FLICKERING	OVERALL QUOTE
Lutron - Maestro	MAELV600	0%	100%	0%-10%	Good
Lutron - Skylark	SELV300P	0%	100%	No	Very good
Lutron - Skylark	SELV303P	0%	100%	No	Very good
Lutron - Skylark	CTELV-303P	0%	100%	No	Very good
Lutron - Diva	DVELV-300P	0%	100%	No	Very good
Legrand - Adorne	TRUE UNIVERSAL	30%	30%	No	Good

## DIMMER LIST COMPATIBILITY FOR G9 LED BULBS – 230V

DIMMER BRAND	MODEL	MIN LEVEL	MAX LEVEL	FLICKERING	OVERALL QUOTE
Varilight	V-PRO	2%	100%	No	Very good
Legrand- Niloé	3 996 35	15%	87%	No	Good
Niko	310-0280X	5%	94%	No	Very good
Niko	310-0190X	1%	100%	No	Very good

---

Some dimmers require a minimum load, check specifications.

\*Other dimmers that specify LED lamp compatibility may operate without issue.

We recommend conducting your own test before final installation.

\*\*Leading edge is also known as TRIAC or Forward Phase.

Trailing edge is also known as ELV or Reverse Phase.