



Prices effective February 3, 2025

Published April 2025

# HermanMiller Ancillary

<b>Introduction</b>	<b>page 2</b>
<b>HermanMiller Ancillary</b>	
Seating	3
Side and Stacking Chairs	5
Lounge Seating	81
Stools	227
Benches	253
Work Chairs	262
Sofas	297
Desks and Tables	439
Desks	441
Tables	445
Occasional Tables	451
Storage	515
Accessories	659
Lighting	684
Outdoor Furniture	715
Seating	717
Tables	722
<b>Indices</b>	<b>725</b>
By Name	725
By Number	729
<b>Appendices</b>	
20-Day or Less/Assigned Lead-Time Order Information	
Stain-to-Match Program	
Casters and Glides	
Customer's Own Material/Customer's Own Leather Order Information-Seating	
Textiles Application Chart-Ancillary Seating, HermanMiller	
Textiles Application Chart-Ancillary Seating, Geiger	
Textile Colors	
<b>For the latest materials information, refer to the Materials pages on HermanMiller.com.</b>	

# Introduction

## A Note on the Organization of This Book

There are a few signals that will help you understand the organization of this book. Once you know them, you should be able to find your way around easily.

### Like a newspaper, this book is formatted with columns of text and illustrations that run vertically.

Information wraps from one column to the next and continues for as many pages as it needs to.

### Black bars are clues.

A black bar at the top of a page signals the start of information about a product.

This information is divided into two sections, each signaled by a black bar. Product Information includes a description, additional notes, and dimensional drawings. Specification Information, which always begins at the top of a column, includes a series of steps. Each step represents a decision you need to make in order to complete your product number. Steps must be followed sequentially. The number of pages needed to complete information on a product varies; some will be complete in one page; others may fill three or four pages. Just continue going through the steps until you run into the next product, signaled by the black bar at the top of the page.

Black tabs running along the outside edge of the page help you locate what section you are in or what section you want to go to. You can thumb forwards or backwards to find a section; tabs and text appear on both sides of the page.

The additional pages in the back of the book include the appendices and indices. They are signaled by a long black bar running along the outside edge of the page.

### The index is presented two ways.

The first index is in alphabetical order by product name. It can be helpful if you are new to the products and numbering scheme or if you are looking for a type of product, such as work chair or round table.

The second index is by product number. It lists, in alphanumeric order, the base product number, typically a five-digit number.

## General Information

This book is effective February 3, 2025, subject to change without notice. Products may be purchased from authorized Herman Miller dealers who will quote prices upon request. For more information about our products and services or to see a list of dealers, visit [www.HermanMiller.com](http://www.HermanMiller.com).


All prices are list prices. Additional services, such as planning services, design, storage, and installation, are not included and must be added to these prices when the additional services are requested.


Illustrations, specifications, and prices are based on the latest information at the time of publication. The right is reserved to make changes at any time without notice in prices, fabrics, finishes, materials, specifications, and models, and also to discontinue models and finishes.

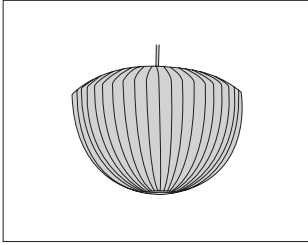
Dimensions shown in the drawings are engineering drawing dimensions rounded up to the nearest  $\frac{1}{8}$ ". Product is shipped set up or knocked down. Products that include "Shipped knocked down" in the description require some assembly. If this statement does not appear in the description, the product is shipped assembled.

Service problems are normally handled by a Herman Miller authorized dealer. Where this cannot be accomplished on a local level, service problems should be referred to the Customer Care Representative for your region, Herman Miller, Inc., Zeeland, Michigan 49464.

### 20-Day or Less/Assigned Lead-Time Shipments

All products and options in this price book not designated by an Assigned Program icon  will ship in **20 business days or less** after being acknowledged by Herman Miller.

Products and options designated by an  are on the assigned lead-time program and may ship in 20 days, less than 20 days, or more than 20 days from order acknowledgement.



**Product Information**

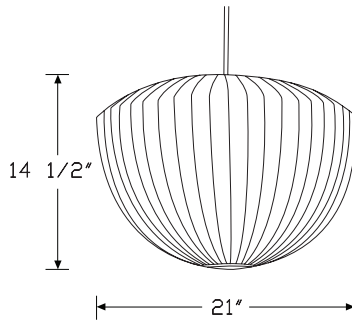
Description

The Nelson® Apple Bubble Pendant comes with a 5¼" brushed, nickel-plated steel ceiling plate and a 10' or 20' cord. Bulb not included. 150W/120V. UL listed.

Notes

UL rated for bulbs up to 150 watts.

Dimensions



**Specification Information**

Step 1.

**H766**

Step 2. Size

**M** medium

Step 3. Cord Length

**10** 10 feet

**20** 20 feet

Prices for Steps 1-3.

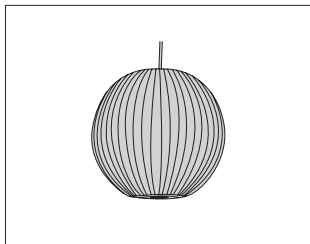
<b>H766M</b>	<b>10</b>	\$798
	<b>20</b>	\$915

Step 4. Trim Finish

<b>BNS</b>	brushed nickel	+\$0
------------	----------------	------

# Nelson® Ball Bubble Pendant

H761L  
H761M  
H761S



## Product Information

### Description

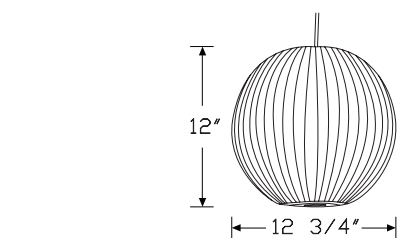
The Nelson® Ball Bubble Pendant is available in 3 sizes. Each lamp comes with a 5 1/4" brushed, nickel-plated steel ceiling plate and a 10' or 20' cord.

Bulb not included. 150W/120V. UL listed.

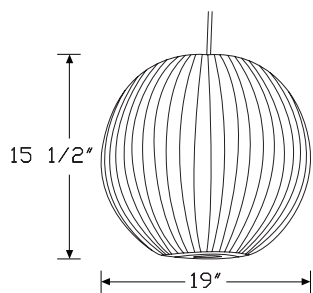
### Notes

UL rated for bulbs up to 150 watts.

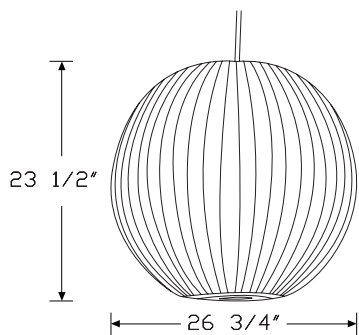
## Dimensions



Small



Medium



Large

## Specification Information

### Step 1.

**H761**

### Step 2. Size

**S** small  
**M** medium  
**L** large

### Step 3. Cord Length

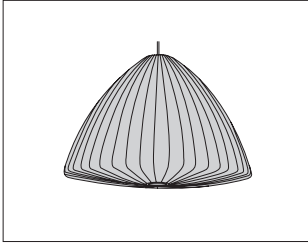
**10** 10 feet  
**20** 20 feet

### Prices for Steps 1-3.

<b>H761S</b>	<b>10</b>	\$640
	<b>20</b>	\$758
<b>H761M</b>	<b>10</b>	\$798
	<b>20</b>	\$915
<b>H761L</b>	<b>10</b>	\$902
	<b>20</b>	\$1019

### Step 4. Trim Finish

**BNS** brushed nickel +\$0



HermanMiller Ancillary-Lighting

**Product Information**

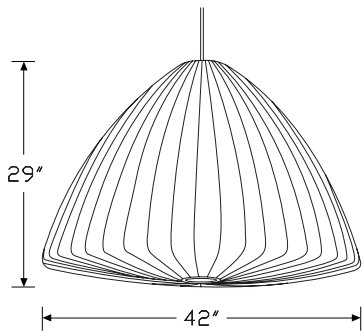
**Description**

The extra-large Nelson® Bell Bubble Pendant comes with a 5 1/4" brushed, nickel-plated steel ceiling plate and a 10' or 20' cord. Bulb not included. 150W/120V. UL listed.

**Notes**

UL rated for bulbs up to 150 watts.

**Dimensions**



**Specification Information**

**Step 1.**

**BELL**

**Step 2. Size**

**XL** x-large

**Step 3. Cord Length**

**10** 10 feet

**Prices for Steps 1-3.**

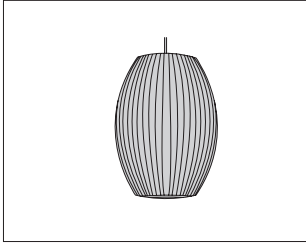
**BELLXL 10** \$1898

**Step 4. Trim Finish**

**BNS** brushed nickel +\$0

# Nelson® Cigar Bubble Pendant

H762L  
H762M  
H762S  
H762X



## Product Information

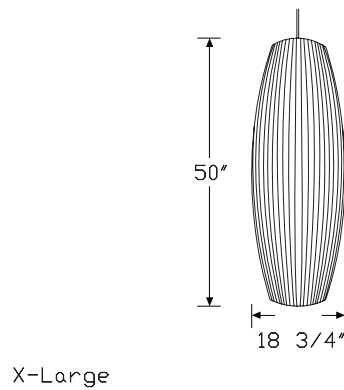
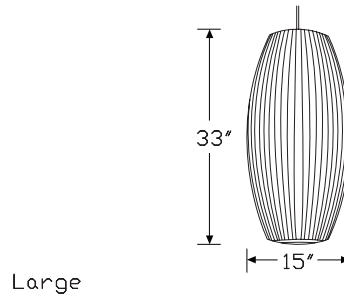
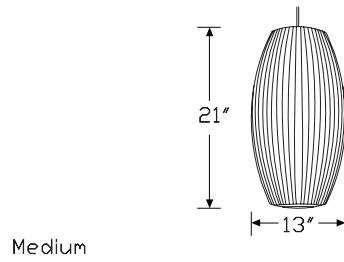
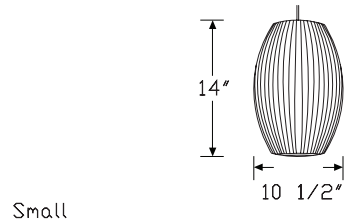
### Description

The Nelson® Cigar Bubble Pendant is available in 4 sizes. Each lamp comes with a 5 1/4" brushed, nickel-plated steel ceiling plate and a 10' or 20' cord. Bulb not included. 150W/120V. UL listed.

### Notes

UL rated for bulbs up to 150 watts.

## Dimensions

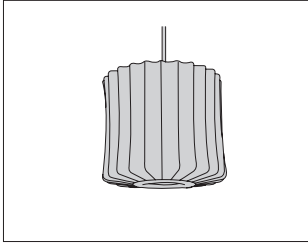


# Nelson® Cigar Bubble Pendant

continued

HermanMiller Ancillary—Lighting

Specification Information		
Step 1.		
<b>H762</b>		
Step 2. Size		
<b>S</b>	small	
<b>M</b>	medium	
<b>L</b>	large	
<b>XL</b>	x-large	
Step 3. Cord Length		
<i>For small (S), medium (M), or large (L)</i>		
<b>10</b>	10 feet	
<b>20</b>	20 feet	
<i>For x-large (XL)</i>		
<b>10</b>	10 feet	
Prices for Steps 1-3.		
<b>H762S</b>	<b>10</b>	\$640
	<b>20</b>	\$758
<b>H762M</b>	<b>10</b>	\$798
	<b>20</b>	\$915
<b>H762L</b>	<b>10</b>	\$902
	<b>20</b>	\$1019
<b>H762XL</b>	<b>10</b>	\$1898
Step 4. Trim Finish		
<b>BNS</b>	brushed nickel	+\$0



**Product Information**

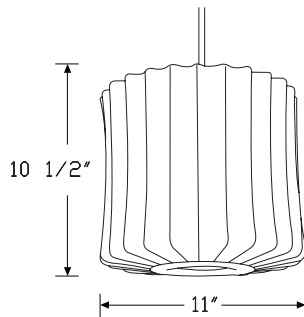
**Description**

The Nelson® Lantern Bubble Pendant comes with a 5¼" brushed, nickel-plated steel ceiling plate and a 10' or 20' cord. Bulb not included. 150W/120V. UL listed.

**Notes**

UL rated for bulbs up to 150 watts.

**Dimensions**



**Specification Information**

**Step 1.**

**H737**

**Step 2. Size**

**S** small

**Step 3. Cord Length**

**10** 10 feet

**20** 20 feet

**Prices for Steps 1-3.**

<b>H737S</b>	<b>10</b>	\$640
	<b>20</b>	\$758

**Step 4. Trim Finish**

**BNS** brushed nickel +\$0



Nelson® Pear Bubble Pendant

H770M  
H770S



HermanMiller Ancillary-Lighting

**Product Information**

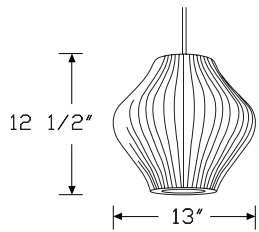
**Description**

The Nelson® Pear Bubble Pendant is available in 2 sizes. Each lamp comes with a 5¼" brushed, nickel-plated steel ceiling plate and a 10' or 20' cord. Bulb not included. 150W/120V. UL listed.

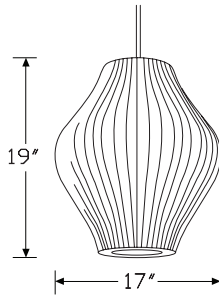
**Notes**

UL rated for bulbs up to 150 watts.

**Dimensions**



Small



Medium

**Specification Information**

**Step 1.**

**H770**

**Step 2. Size**

**S** small

**M** medium

**Step 3. Cord Length**

**10** 10 feet

**20** 20 feet

**Prices for Steps 1-3.**

<b>H770S</b>	<b>10</b>	\$640
	<b>20</b>	\$758

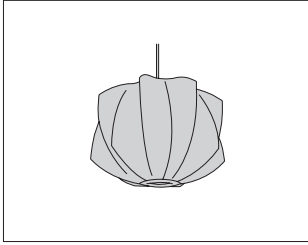
<b>H770M</b>	<b>10</b>	\$798
	<b>20</b>	\$915

**Step 4. Trim Finish**

<b>BNS</b>	brushed nickel	+\$0
------------	----------------	------

Nelson® Propeller Bubble Pendant

PROP1  
PROP2



**Product Information**

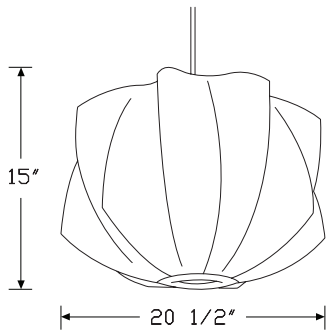
**Description**

The Nelson® Propeller Bubble Pendant comes with a 5¼" brushed, nickel-plated steel ceiling plate and a 10' or 20' cord. Bulb not included. 150W/120V. UL listed.

**Notes**

UL rated for bulbs up to 150 watts.

**Dimensions**



**Specification Information**

**Step 1.**

**PROP**

**Step 2. Cord Length**

**10** 10 feet

**20** 20 feet

**Prices for Steps 1-2.**

**PROP10** \$798

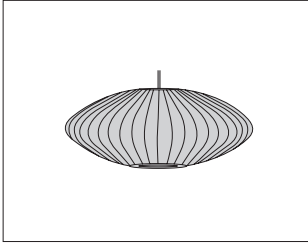
**PROP20** \$915

**Step 3. Trim Finish**

**BNS** brushed nickel +\$0

Nelson® Saucer Bubble Pendant

H763L  
H763M  
H763S  
H763X



HermanMiller Ancillary-Lighting

**Product Information**

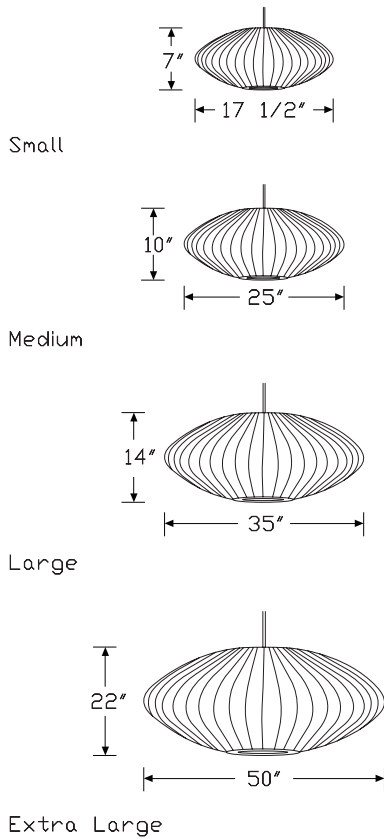
**Description**

The Nelson® Saucer Bubble Pendant is available in 4 sizes. Each lamp comes with a 5 1/4" brushed, nickel-plated steel ceiling plate and a 10' or 20' cord. The extra-large lamp is only available with a 10' cord. Bulb not included. 150W/120V for medium, large and extra-large saucers; 60W/120V for small saucers. UL listed.

**Notes**

UL rated for bulbs up to 150 watts; small saucer 60W/120V and UL rated for bulbs up to 60 watts.

**Dimensions**



**Specification Information**

**Step 1.**

**H763**

**Step 2. Size**

- S** small
- M** medium
- L** large
- XL** x-large

**Step 3. Cord Length**

*For small (S), medium (M), or large (L)*

- 10** 10 feet
- 20** 20 feet

*For x-large (XL)*

- 10** 10 feet

**Prices for Steps 1-3.**

<b>H763S</b>	<b>10</b>	\$640
	<b>20</b>	\$758
<b>H763M</b>	<b>10</b>	\$798
	<b>20</b>	\$915
<b>H763L</b>	<b>10</b>	\$902
	<b>20</b>	\$1019
<b>H763XL</b>	<b>10</b>	\$1898

**Step 4. Trim Finish**

<b>BNS</b>	brushed nickel	+\$0
------------	----------------	------

Nelson® Ball Crisscross Bubble  
Pendant

H761C



**Product Information**

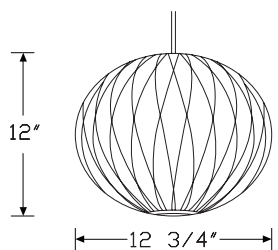
**Description**

The Nelson® Ball Crisscross Bubble Pendant is available in 2 sizes. Each lamp comes with a 5¼" brushed, nickel-plated steel ceiling plate and a 10' or 20' cord. Bulb not included. 150W/120V. UL listed.

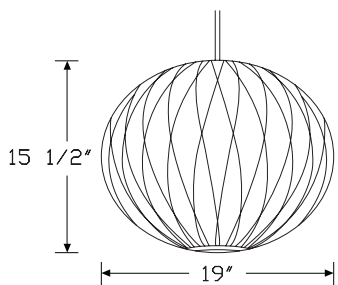
**Notes**

UL rated for bulbs up to 150 watts.

**Dimensions**



Small



Medium

**Specification Information**

**Step 1.**

**H761CC**

**Step 2. Size**

**S** small  
**M** medium

**Step 3. Cord Length**

**10** 10 feet  
**20** 20 feet

**Prices for Steps 1-3.**

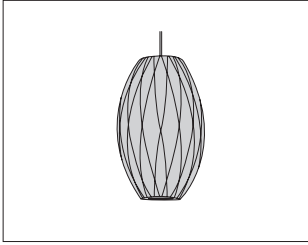
	<b>10</b>	<b>20</b>
<b>H761CC S</b>	\$640	758
<b>M</b>	\$798	915

**Step 4. Trim Finish**

**BNS** brushed nickel +\$0

Nelson® Cigar Crisscross Bubble  
Pendant

H762C



HermanMiller Ancillary-Lighting

**Product Information**

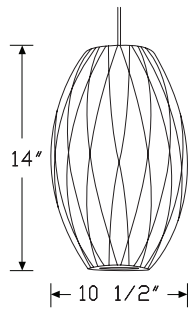
**Description**

The Nelson® Cigar Crisscross Bubble Pendant is available in 2 sizes. Each lamp comes with a 5 1/4" brushed, nickel-plated steel ceiling plate and a 10' or 20' cord. Bulb not included. 150W/120V. UL listed.

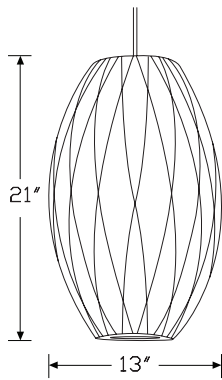
**Notes**

UL rated for bulbs up to 150 watts.

**Dimensions**



Small



Medium

**Specification Information**

**Step 1.**

**H762CC**

**Step 2. Size**

**S** small

**M** medium

**Step 3. Cord Length**

**10** 10 feet

**20** 20 feet

**Prices for Steps 1-3.**

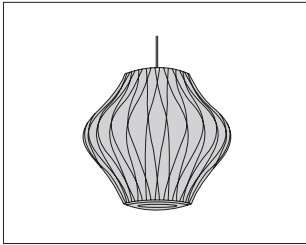
	<b>10</b>	<b>20</b>
<b>H762CC S</b>	\$640	758
<b>M</b>	\$798	915

**Step 4. Trim Finish**

**BNS** brushed nickel + \$0

Nelson® Pear Crisscross Bubble  
Pendant

H770C



**Product Information**

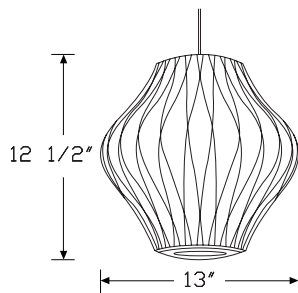
**Description**

The Nelson® Pear Crisscross Bubble Pendant is available in 2 sizes. Each lamp comes with a 5 1/4" brushed, nickel-plated steel ceiling plate and a 10' or 20' cord. Bulb not included. 150W/120V. UL listed.

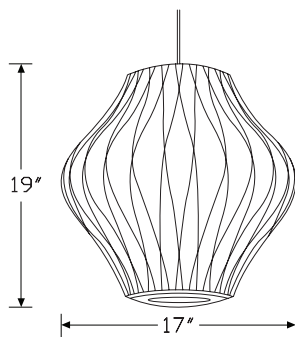
**Notes**

UL rated for bulbs up to 150 watts.

**Dimensions**



Small



Medium

**Specification Information**

**Step 1.**

**H770CC**

**Step 2. Size**

**S** small  
**M** medium

**Step 3. Cord Length**

**10** 10 feet  
**20** 20 feet

**Prices for Steps 1-3.**

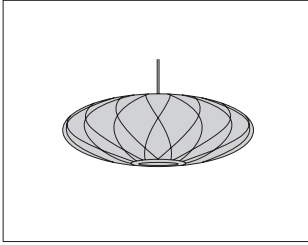
	<b>10</b>	<b>20</b>
<b>H770CC S</b>	\$640	758
<b>M</b>	\$798	915

**Step 4. Trim Finish**

**BNS** brushed nickel +\$0

Nelson® Saucer Crisscross Bubble Pendant

H763C



HermanMiller Ancillary-Lighting

**Product Information**

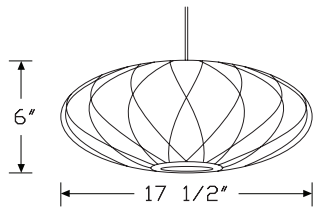
**Description**

The Nelson® Saucer Crisscross Bubble Pendant is available in 2 sizes. Each lamp comes with a 5/8" brushed, nickel-plated steel ceiling plate and a 10' or 20' cord. Bulb not included. 150W/120V for medium saucers; 60W/120V for small saucers. UL listed.

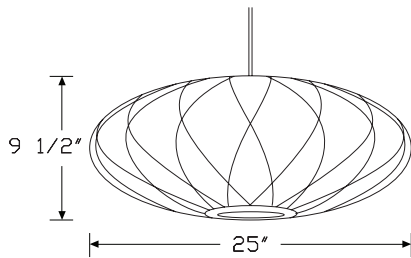
**Notes**

UL rated for bulbs up to 150 watts; small saucer 60W/120V and UL rated for bulbs up to 60 watts.

**Dimensions**



Small



Medium

**Specification Information**

**Step 1.**

**H763CC**

**Step 2. Size**

**S** small

**M** medium

**Step 3. Cord Length**

**10** 10 feet

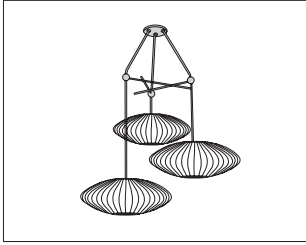
**20** 20 feet

**Prices for Steps 1-3.**

	10	20
<b>H763CC S</b>	\$640	758
<b>M</b>	\$798	915

**Step 4. Trim Finish**

**BNS** brushed nickel + \$0



**Product Information**

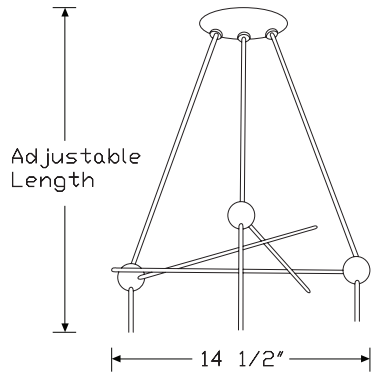
**Description**

This lamp fixture comes with a 5¼" brushed, nickel-plated steel ceiling plate for mounting and metal rods with walnut spheres spaced 14½" apart. Nelson® Bubble lamps with cord are sold separately.

**Notes**

For use with this fixture, Bubble Lamp pendants should be 19" in diameter or smaller.

**Dimensions**



**Specification Information**

**Step 1.**

**B-3-740**

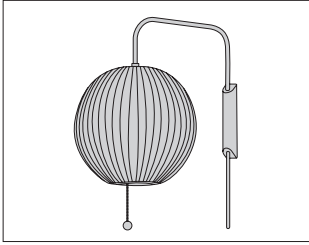
\$470

**Step 2. Finish**

**BNS** brushed nickel

+\$0





HermanMiller Ancillary-Lighting

**Product Information**

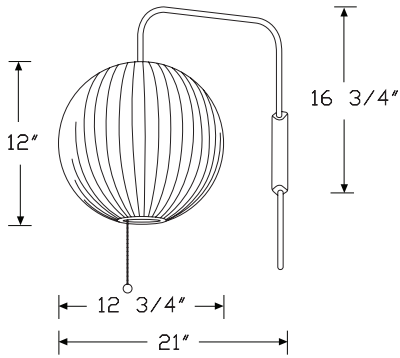
**Description**

The Nelson® Ball Wall Sconce has a 2"-thick solid walnut wall mount and a brushed-nickel steel arm that extends out approximately 14". The arm has a swivel hinge and an adjustable 12' plug-in cord with a counterweight that allows for height adjustments. The sconce swivels left-to-right and adjusts vertically without changing its wall-mount position. Ships with bulb included. 150W/120V. UL listed.

**Notes**

UL rated for bulbs up to 150 watts.

**Dimensions**



**Specification Information**

**Step 1.**

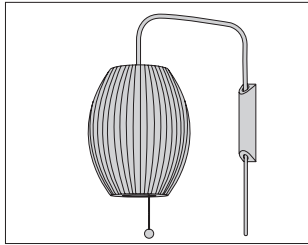
**H761SC** \$825

**Step 2. Bracket Finish**

**WAL** walnut +\$0

**Step 3. Arm Finish**

**BNS** brushed nickel +\$0



**Product Information**

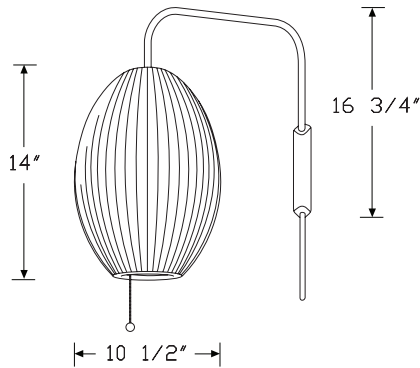
**Description**

The Nelson® Cigar Wall Sconce has a 2"-thick solid walnut wall mount and a brushed-nickel steel arm that extends out approximately 14". The arm has a swivel hinge and an adjustable 12' plug-in cord with a counterweight that allows for height adjustments. The sconce swivels left-to-right and adjusts vertically without changing its wall-mount position. Ships with bulb included. 150W/120V. UL listed.

**Notes**

UL rated for bulbs up to 150 watts.

**Dimensions**



**Specification Information**

**Step 1.**

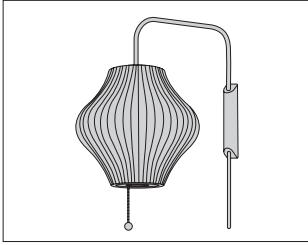
**H762SC** \$825

**Step 2. Bracket Finish**

**WAL** walnut +\$0

**Step 3. Arm Finish**

**BNS** brushed nickel +\$0



HermanMiller Ancillary-Lighting

**Product Information**

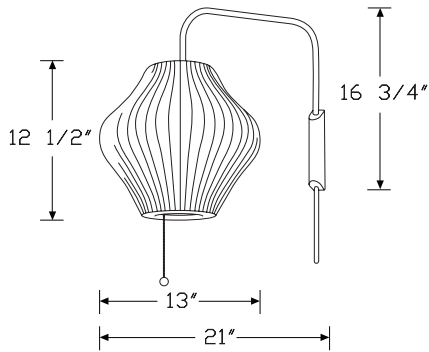
**Description**

The Nelson® Pear Wall Sconce has a 2"-thick solid walnut wall mount and a brushed-nickel steel arm that extends out approximately 14". The arm has a swivel hinge and an adjustable 12' plug-in cord with a counterweight that allows for height adjustments. The sconce swivels left-to-right and adjusts vertically without changing its wall-mount position. Ships with bulb included. 150W/120V. UL listed.

**Notes**

UL rated for bulbs up to 150 watts.

**Dimensions**



**Specification Information**

**Step 1.**

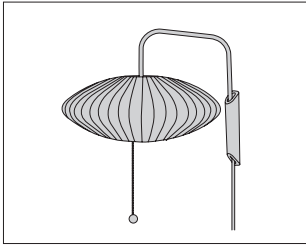
**H770SC** \$825

**Step 2. Bracket Finish**

**WAL** walnut +\$0

**Step 3. Arm Finish**

**BNS** brushed nickel +\$0



**Product Information**

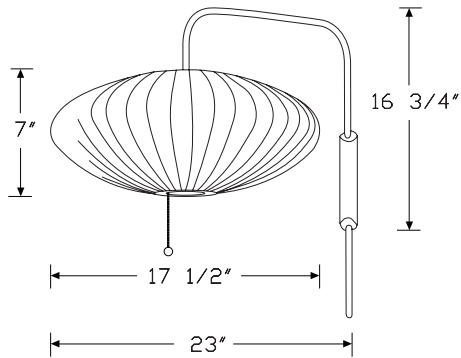
**Description**

The Nelson® Saucer Wall Sconce has a 2"-thick solid walnut wall mount and a brushed-nickel steel arm that extends out approximately 14". The arm has a swivel hinge and an adjustable 12' plug-in cord with a counterweight that allows for height adjustments. The sconce swivels left-to-right and adjusts vertically without changing its wall-mount position. Ships with bulb included. 60W/120V. UL listed.

**Notes**

UL rated for bulbs up to 60 watts.

**Dimensions**



**Specification Information**

**Step 1.**

**H763SC** \$825

**Step 2. Bracket Finish**

**WAL** walnut +\$0

**Step 3. Arm Finish**

**BNS** brushed nickel +\$0



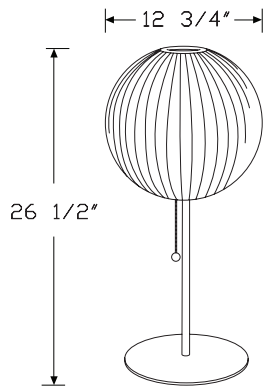
HermanMiller Ancillary-Lighting

**Product Information**

**Description**

The Nelson® Ball Lotus Table Lamp has an 8"-diameter brushed nickel-plated steel base available with or without a walnut cover. The lamp has an on/off pull chain with a solid walnut end. Cord is 86" long. 150W/120V. Ships with bulb included.

**Dimensions**



**Specification Information**

**Step 1.**

**H761LT**  A

**Step 2. Size**

**S** small  A

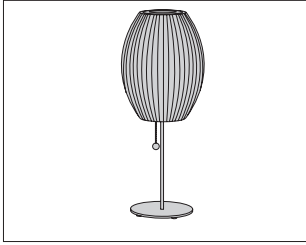
**Prices for Steps 1-2.**

**H761LT S** \$780

**Step 3. Base Finish**

**BNS** brushed nickel  A + \$0

**WAL** walnut  A + \$100

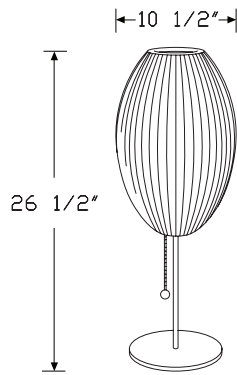


**Product Information**

**Description**

The Nelson® Cigar Lotus Table Lamp has an 8"-diameter brushed nickel-plated steel base available with or without a walnut cover. The lamp has an on/off pull chain with a solid walnut end. Cord is 86" long. 150W/120V. Ships with bulb included.

**Dimensions**



**Specification Information**

**Step 1.**

**H762LT**  A

**Step 2. Size**

**S** small  A

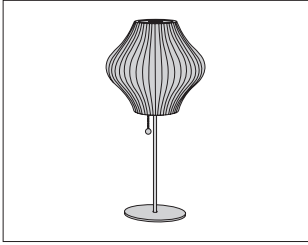
**Prices for Steps 1-2.**

**H762LT S** \$780

**Step 3. Base Finish**

**BNS** brushed nickel  A +\$0

**WAL** walnut  A +\$100



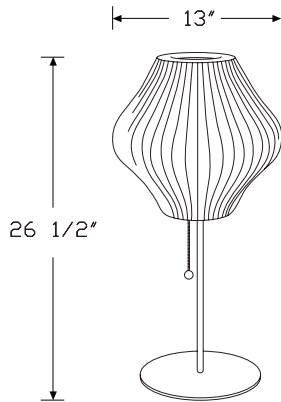
HermanMiller Ancillary-Lighting

**Product Information**

**Description**

The Nelson® Pear Lotus Table Lamp has an 8"-diameter brushed nickel-plated steel base available with or without a walnut cover. The lamp has an on/off pull chain with a solid walnut end. Cord is 86" long. 150W/120V. Ships with bulb included.

**Dimensions**



**Specification Information**

**Step 1.**

**H770LT**  A

**Step 2. Size**

**S** small  A

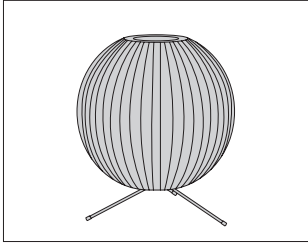
**Prices for Steps 1-2.**

**H770LT S** \$780

**Step 3. Base Finish**

**BNS** brushed nickel  A +\$0

**WAL** walnut  A +\$100



**Product Information**

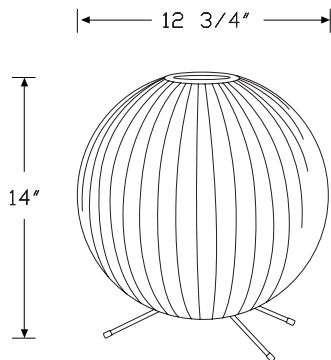
**Description**

The Nelson® Ball Tripod Lamp has a durable, brushed nickel-plated steel stand, an on/off switch, and a 90" cord. Ships with bulb included. 150W/120V. UL listed.

**Notes**

UL rated for bulbs up to 150 watts.

**Dimensions**



**Specification Information**

**Step 1.**

**H761T**

**Step 2. Size**

**S** small

**Prices for Steps 1-2.**

**H761T S** \$711

**Step 3. Base Finish**

**BNS** brushed nickel +\$0





HermanMiller Ancillary-Lighting

**Product Information**

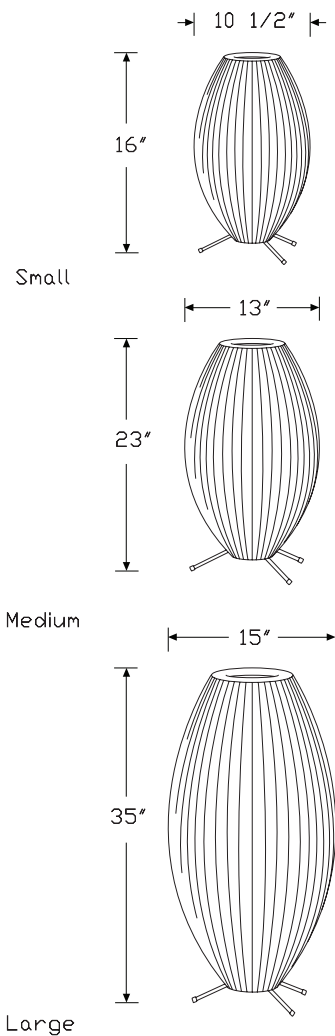
**Description**

The Nelson® Cigar Tripod Lamp is available in 3 sizes. It has a durable, brushed nickel-plated steel stand, an on/off switch, and a 90" cord. Ships with bulb included. 150W/120V. UL listed.

**Notes**

UL rated for bulbs up to 150 watts.

**Dimensions**



**Specification Information**

**Step 1.**

**H762T**

**Step 2. Size**

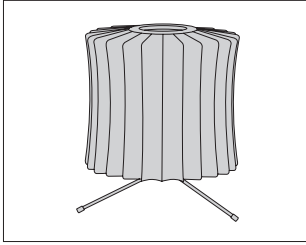
- S** small
- M** medium
- L** large

**Prices for Steps 1-2.**

<b>H762T S</b>	\$711
<b>M</b>	\$869
<b>L</b>	\$979

**Step 3. Base Finish**

<b>BNS</b> brushed nickel	+\$0
---------------------------	------



**Product Information**

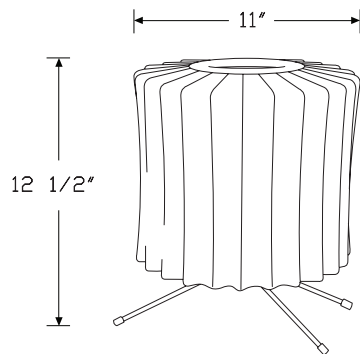
**Description**

The Nelson® Lantern Tripod Lamp has a durable, brushed nickel-plated steel stand, an on/off switch, and a 90' cord. Ships with bulb included. 150W/120V. UL listed.

**Notes**

UL rated for bulbs up to 150 watts.

**Dimensions**



**Specification Information**

**Step 1.**

**H737T**

**Step 2. Size**

**S** small

**Prices for Steps 1-2.**

**H737T S** \$711

**Step 3. Base Finish**

**BNS** brushed nickel +\$0



HermanMiller Ancillary-Lighting

**Product Information**

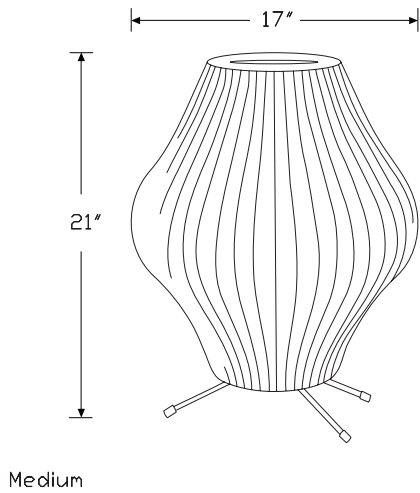
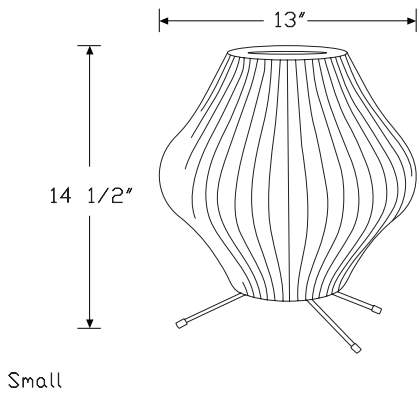
**Description**

The Nelson® Pear Tripod Lamp is available in 2 sizes. It has a durable, brushed nickel-plated steel stand, an on/off switch, and a 90" cord. Ships with bulb included. 150W/120V. UL listed.

**Notes**

UL rated for bulbs up to 150 watts.

**Dimensions**



**Specification Information**

**Step 1.**

**H770T**

**Step 2. Size**

**S** small

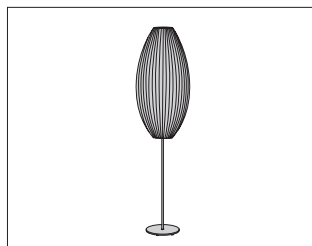
**M** medium

**Prices for Steps 1-2.**

<b>H770T S</b>	\$711
<b>M</b>	\$869

**Step 3. Base Finish**

<b>BNS</b> brushed nickel	+\$0
---------------------------	------

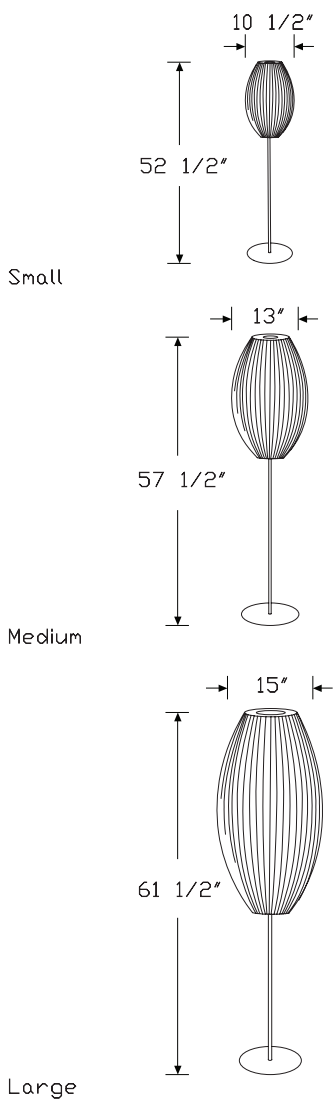


**Product Information**

**Description**

The Nelson® Cigar Lotus Floor Lamp is available in 3 sizes. It has a 10"-diameter brushed nickel-plated steel stand with a 6½-pound base for stability, available with or without a walnut cover. The lamp has an on/off floor switch and a 9' cord. Ships with bulb included. 150W/120V.

**Dimensions**



**Specification Information**

**Step 1.**

H762LF

**Step 2. Size**

S small

M medium

L large

**Prices for Steps 1-2.**

H762LF S	\$902
M	\$1078
L	\$1179

**Step 3. Base Finish**

*For small (S)*

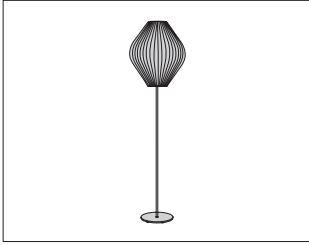
BNS brushed nickel <input type="checkbox"/>	+\$0
WAL walnut <input type="checkbox"/>	+\$100

*For medium (M)*

BNS brushed nickel <input type="checkbox"/>	+\$0
WAL walnut <input type="checkbox"/>	+\$100

*For large (L)*

BNS brushed nickel <input type="checkbox"/>	+\$0
WAL walnut <input type="checkbox"/>	+\$100



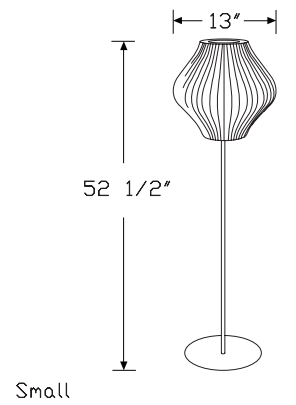
HermanMiller Ancillary-Lighting

**Product Information**

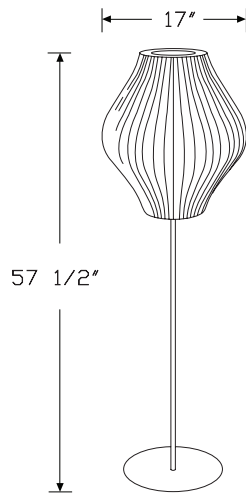
**Description**

The Nelson® Pear Lotus Floor Lamp is available in 2 sizes. It has a 10"-diameter brushed nickel-plated steel stand with a 6½-pound base for stability, available with or without a walnut cover. Base is brushed nickel and comes with or without a walnut cover. The lamp has an on/off floor switch and a 9' cord. Ships with bulb included. 150W/120V.

**Dimensions**



Small



Medium

**Specification Information**

**Step 1.**

H770LF  A

**Step 2. Size**

**S** small  A

**M** medium  A

**Prices for Steps 1-2.**

H770LF <b>S</b>	\$902
<b>M</b>	\$1078

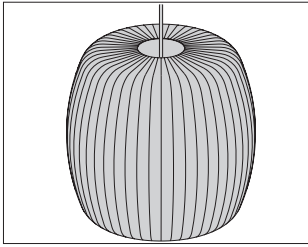
**Step 3. Base Finish**

*For small (S)*

<b>BNS</b> brushed nickel <input type="checkbox"/> A	+\$0
<b>WAL</b> walnut <input type="checkbox"/> A	+\$100

*For medium (M)*

<b>BNS</b> brushed nickel <input type="checkbox"/> A	+\$0
<b>WAL</b> walnut <input type="checkbox"/> A	+\$100



**Product Information**

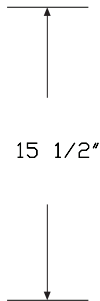
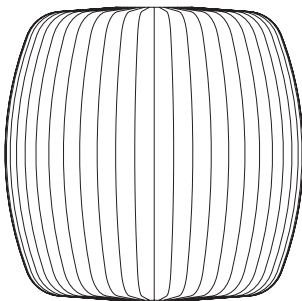
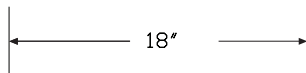
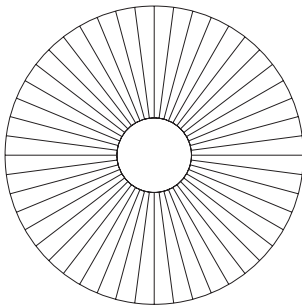
**Description**

The Nelson® Roll Bubble Pendant comes with a 5¼" brushed, nickel-plated steel ceiling plate and a 10' or 20' cord. Bulb not included. 150W/120V. UL listed.

**Notes**

UL rated for bulbs up to 150 watts.

**Dimensions**



**Specification Information**

**Step 1.**

**H764**

**Step 2. Size**

**M** medium

**Step 3. Cord Length**

**10** 10 feet

**20** 20 feet

**Prices for Steps 1-3.**

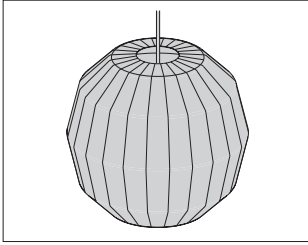
<b>H764M</b>	<b>10</b>	\$798
	<b>20</b>	\$915

**Step 4. Trim Finish**

**BNS** brushed nickel +\$0

# Nelson® Angled Bubble Pendant

H769L  
H769M  
H769S



## Product Information

### Description

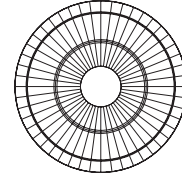
The Nelson® Angled Sphere Bubble Pendant is available in 3 sizes. Each lamp comes with a 5 1/4" brushed, nickel-plated steel ceiling plate and a 10' or 20' cord. Bulb not included. 150W/120V. UL listed.

### Notes

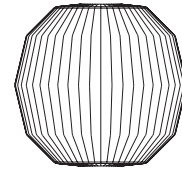
UL rated for bulbs up to 150 watts.

HermanMiller Ancillary-Lighting

## Dimensions



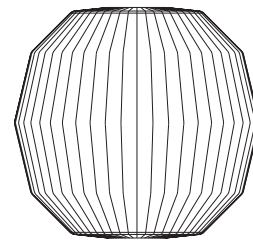
14"



9 1/2"

Small

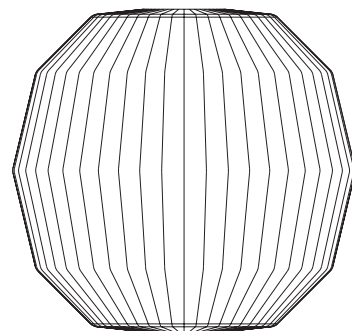
20"



15"

Medium

28"



22"

Large

# Nelson® Angled Bubble Pendant

continued

## Specification Information

Step 1.

**H769**

Step 2. Size

**S** small

**M** medium

**L** large

Step 3. Cord Length

**10** 10 feet

**20** 20 feet

Prices for Steps 1-3.

<b>H769S</b>	<b>10</b>	\$640
	<b>20</b>	\$758

<b>H769M</b>	<b>10</b>	\$798
	<b>20</b>	\$915

<b>H769L</b>	<b>10</b>	\$902
	<b>20</b>	\$1019

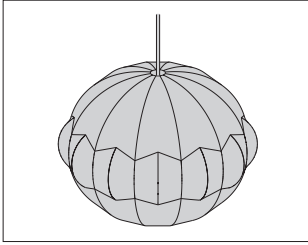
Step 4. Trim Finish

<b>BNS</b>	brushed nickel	+\$0
------------	----------------	------



Nelson® Orbit Bubble Pendant

H771M  
H771S



HermanMiller Ancillary-Lighting

**Product Information**

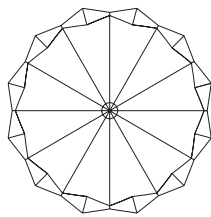
**Description**

The Nelson® Orbit Bubble Pendant is available in 2 sizes. Each lamp comes with a 5¼" brushed, nickel-plated steel ceiling plate and a 10' or 20' cord. Bulb not included. 150W/120V. UL listed.

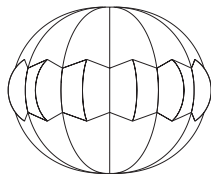
**Notes**

UL rated for bulbs up to 150 watts.

**Dimensions**



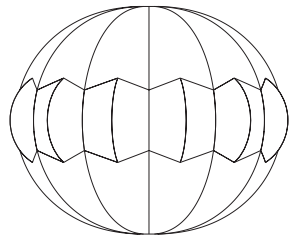
14"



Small

9.5"

20"



Medium

16"

**Specification Information**

**Step 1.**

H771

**Step 2. Size**

**S** small

**M** medium

**Step 3. Cord Length**

**10** 10 feet

**20** 20 feet

**Prices for Steps 1-3.**

<b>H771S</b>	<b>10</b>	\$640
	<b>20</b>	\$758

<b>H771M</b>	<b>10</b>	\$798
	<b>20</b>	\$915

**Step 4. Trim Finish**

<b>BNS</b>	brushed nickel	+\$0
------------	----------------	------

Seating

Tables



For more information about our products and services or to see a list of dealers, please visit us at [HermanMiller.com](http://HermanMiller.com) or call (800) 851 1196.

© 2025 Herman Miller, Inc., Zeeland, Michigan

#### Distribution Rights

Working together since 1956, Herman Miller and Vitra are the authentic sources of designs by Charles and Ray Eames, Alexander Girard, and George Nelson. All the designs shown in this book are protected by law. Herman Miller has obtained all rights to make and sell these designs. Also, Herman Miller holds exclusive worldwide manufacturing and distribution rights for these products with the following exceptions:

Charles and Ray Eames, George Nelson, and Alexander Girard—Worldwide distribution rights for furniture in all areas except Europe and the Middle East. For those areas, please contact Vitra.

Isamu Noguchi—Worldwide distribution rights for the Noguchi Rudder Table. Distribution rights for the Noguchi Table in North America and Central America only. For all other areas, please contact Vitra.

Magis—Exclusive distribution rights in the US and Canada. For all other areas, please contact Magis.

© HermanMiller, 3D Intelligent, 8Z Pellicle, AO, Action Office, Aeron, Aside, Bubble Lamps, Canvas Office Landscape, Caper, Celle, Cosm, Co/Struc, Daisyone, Distil, Eames, Eco-Dematerialized, Embody, Envelop, Ethospace, Exclave, Fine-Tune, FlexFront, Flo, Formcoat, Formwork, Ground Cloth, Intent, Kinemat, Layout Studio, Lino, Live Unframed, Living Office, Maharam, Meridian, Mirra, Motia, Nelson, Pari, Pellicle, Perspectives, Plex, PostureFit, PostureFit SL, Public Office Landscape, Sayl, Setu, Striad, Tu, Ubi, Verus, Wishbone, Y-Tower and Zeph are among the registered trademarks of Herman Miller, Inc., and its owned subsidiaries.

™ About Face, AireWeave, Airia, Ambit, Asari Chair by HermanMiller, Backfit, Bubbletack, Burdick Group, Butterfly Back, Canvas Vista, Cellular Suspension, Commend, Compass, Connect, DOT, Duracare, Durawrap, EnhancedAccess, Everywhere, Flex-Edge, Flute, Harmonic, Headway, Herman Miller Select, Hopsak 2, Iota, Keyless Entry, Latitude, Logic Mini, Logic Power Access Solutions, Lyris, Lyris 2, Made-to-Measure Storage, Mora, Multiscrim, Nevi, OE1, OE1 Workspace Collection, Overlay, Pixelated Support, Pronta, Renew, Sense, Soft Pad, Stackable, Stackable Storage, Swoop, Thrive, Tone, TriFlex, Twist and Wireframe are among the trademarks of Herman Miller, Inc., and its owned subsidiaries.

SM Herman Miller Options is among the service marks of Herman Miller, Inc.

AAP™ is a trademark of Extron Electronics.

Alexander Girard® is a registered trademark of The Alexander Girard Estate.

Chemisur® is a registered trademark of Wilsonart International.

Corian® is a registered trademark of E. I. du Pont de Nemours and Company Corporation.

Crypton® is a registered trademark of Crypton, Inc.

DACRON® is a registered trademark of INVISTA S.a r.l.

Danzer® is a registered trademark of Danzer Holding AG.

Decora® is a registered trademark of Leviton Manufacturing Co., Inc.

Edelman® Leather is a registered trademark of Edelman Leather, Inc.

Extron® is a registered trademark of RGB Systems, Inc.

FENIX NTM® is a registered trademark of Arpa Industriale S.p.A.

FLEXNET™ is a trademark of Milliken & Company.

Floor Saver Glide® is a registered trademark of Carpin Manufacturing, Inc.

Forest Stewardship Council® is a registered trademark of the Forest Stewardship Council A.C. (FSC). We are FSC® certified (FSC® C102895).

FSC® is a registered trademark of the Forest Stewardship Council A.C. (FSC).

Geiger® is a registered trademark, and Bumper™, Saiba™, and Ward Bennett™ are trademarks, of Geiger International.

Hang-It-All® is a registered trademark of Lucia Eames Demetrios, d.b.a. Eames Office.

Holophane® is a registered trademark of Holophane.

Ingeo™ is a trademark of Cargill Dow LLC.

iPad® and Mac mini® are registered trademarks of Apple Inc.

Leviton® is a registered trademark of Leviton Manufacturing Co., Inc.

LifeSize® is a registered trademark of LifeSize Communications, Inc.

Lisocore® is a registered trademark of Pyrus Panels GmbH.

Logitech G® is a registered trademark of Logitech International S.A.

Magis®, Bombo®, and Me Too® are registered trademarks of Magis S.p.A.

MicrobeCare™ is a trademark of Parasol Medical LLC.

Microsoft® and Natural® Keyboard are registered trademarks of Microsoft Corporation.

Noguchi® and the Noguchi table configuration (trade dress) are registered trademarks, and Rudder Table™ is a trademark, of The Isamu Noguchi Foundation and Garden Museum.

Place Textiles® is a registered trademark of Place Textiles.

Sunbrella® is a registered trademark of Glen Raven, Inc.

SuperSeat™ is a trademark of Dahti Seating, a division of ITW.

Valor™ is among the trademarks owned by Nemschoff, Inc.