

Drape Metal Backed Bench

Bench Specifications

- Fully Welded Construction
- AAMA 2604 Powder Coat
- Powder Coated Inside and Out

How to Specify this Product

Include Bench Length, Width and Height.
Specify Product Variations, Installation,
Color and Material.

Sizes - Bench

- DRPM1-1-1
20"L x 23"W x 19"H
L500mm x W595mm x H495mm
- DRPM1-1-2
39"L x 23"W x 19"H
L1000mm x W595mm x H495mm
- DRPM1-1-3
59"L x 23"W x 19"H
L1500mm x W595mm x H495mm
- DRPM1-1-4
79"L x 23"W x 19"H
L2000mm x W595mm x H495mm

Warranty and Care

See Warranty and Care Document for
further information on specific details.

- 2 Year Finish Warranty
- 10 Year Structural Warranty

Green Theory™

G-T

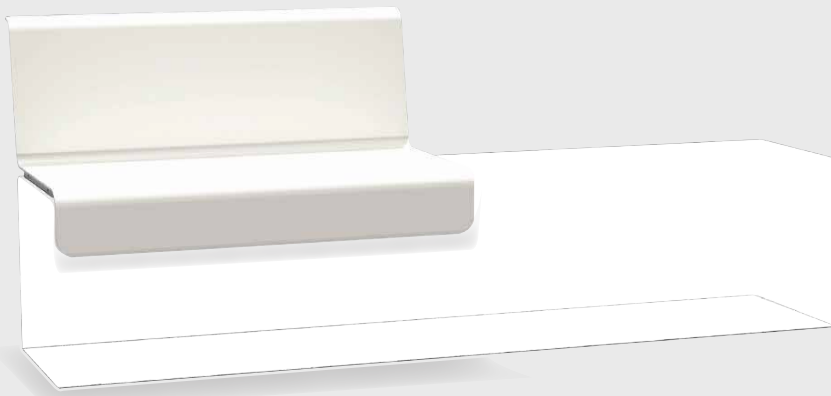
greentheory.com

Date: 02 13 2023
Specification Sheet Version 1.0A

Units measured in imperial inches and
metric millimetres.

Green Theory reserves the right to revise technical
specifications at any time without prior notice. Correct
mounting hardware and the method of mounting of the
product are imperative to user safety. Use installation
instructions to correctly position and install product.
©2022 Green Theory Design

Designed by  STREET + GARDEN



Drape Metal Backed Bench

Bench Variations

Variations

- 20" / 500mm (One Seater)
- 39" / 1000mm (Two Seater)
- 59" / 1500mm (Three Seater)
- 79" / 2000mm (Four Seater)

Materials

Made with Powder Coated 5052 Aluminum or 304 Stainless Steel

- 5052 Aluminum
- 304 Stainless Steel

Standard Powder Coat

- Matte Black
- Pewter
- Gloss White
- Metallic Silver
- Smokey Beige
- Suede Bronze

Custom Powder Coat

RAL _____

Product Code - DRPM1

Backed Bench



Product Code DRPM1-1-1 (20" (500mm) One Seater)

Weight:

- 26lbs (12kg) - 5052 Aluminum
- 46lbs (21kg) - 304 Stainless Steel



Product Code DRPM1-1-2 (39" (1000mm) Two Seater)

Weight:

- 64lbs (29kg) - 5052 Aluminum
- 117lbs (53kg) - 304 Stainless Steel



Product Code DRPM1-1-3 (59" (1500mm) Three Seater)

Weight:

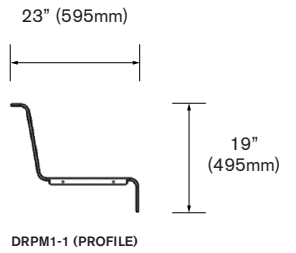
- 90lbs (41kg) - 5052 Aluminum
- 163lbs (74kg) - 304 Stainless Steel



Product Code DRPM1-1-4 (79" (2000mm) Four Seater)

Weight:

- 115lbs (52kg) - 5052 Aluminum
- 209lbs (95kg) - 304 Stainless Steel



Green Theory™

G-T

greentheory.com

Date: 02 13 2023
Specification Sheet Version 1.0A

Units measured in imperial inches and metric millimetres.

Green Theory reserves the right to revise technical specifications at any time without prior notice. Correct mounting hardware and the method of mounting of the product are imperative to user safety. Use installation instructions to correctly position and install product.
©2022 Green Theory Design

Designed by  STREET + GARDEN

Drape Metal Backed Bench

Product Code - DRPM1-_-A1

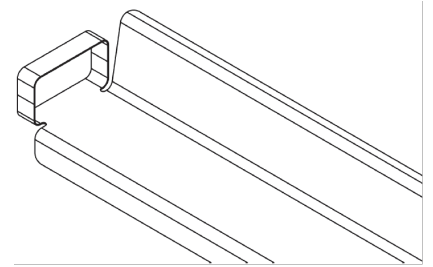
Armrest

Available on all DRPM Backed Bench Seats

Bench Accessories

Accessories

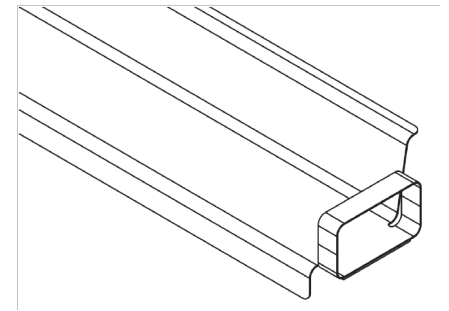
- Armrest
- Skatestop



Product Code - DRPM1-_-A2

Armrest

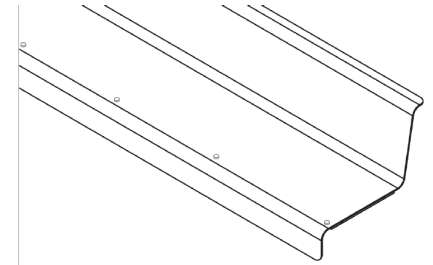
Available on all DRPM Backed Bench Seats



Product Code - DRPM1-_-S1

Skatestop

Available on all DRPM Backed Bench Seats



Green Theory™

G-T

greentheory.com

Date: 02 13 2023
Specification Sheet Version 1.0A

Units measured in imperial inches and
metric millimetres.

Green Theory reserves the right to revise technical specifications at any time without prior notice. Correct mounting hardware and the method of mounting of the product are imperative to user safety. Use installation instructions to correctly position and install product.
©2022 Green Theory Design

Designed by  STREET + GARDEN

Drape Metal Backed Bench

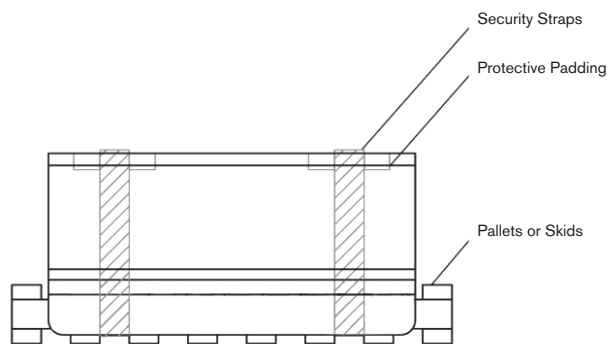
Bench Specifications

Delivery Loading & Unloading Detail

- Product is supplied securely strapped to Pallets or Skids
- Product is secured with appropriate padding for protection during transit
- Product can be unloaded manually by hand (Recommend 2 person lifting per product)
- All handling suggestions are to be used as a guide only. It is the full responsibility of the installing party to ensure the appropriate lifting methods are practised

Delivery Loading & Unloading Detail

Recommended on site Delivery Detail

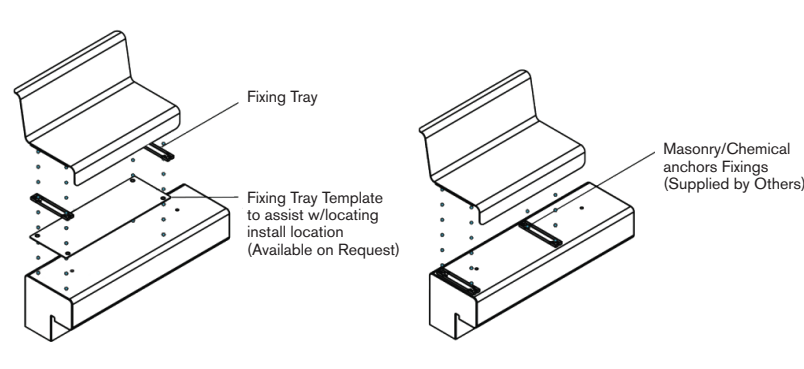


Installation Detail

- Mark hole locations using MDF Templates (Supplied by GT).
- Install Masonry/Chemical Anchors approx. 4" (100mm) deep into Concrete Module
- Bolt Fixing Tray onto concrete module
- Place Metal Seat on Fixings Trays and bolt Metal Seat to Fixings Trays
- 4 x 3/8" or (M10) Masonry Anchors (supplied by others)

Installation Detail

Recommended on site Installation Detail



Forklift required to move and lift product into place

Notes

Quantity

Green Theory™

G-T

greentheory.com

Date: 02 13 2023
Specification Sheet Version 1.0A

Units measured in imperial inches and metric millimetres.

Green Theory reserves the right to revise technical specifications at any time without prior notice. Correct mounting hardware and the method of mounting of the product are imperative to user safety. Use installation instructions to correctly position and install product.
©2022 Green Theory Design