

## Join Edging

### Right Angle

- Fully Welded Construction
- AAMA 2604 Powder Coat
- Powder Coated Inside and Out
- Standard 1" Top Lip and 1" Return

### How to Specify this Product

Supply drawings for custom edging projects and include product name, material, and color. Specify top lip dimensions. Specify if the edging is installed anchored or unanchored.

**Green Theory™**

[greentheorydesign.com](https://greentheorydesign.com)

Date: 02 22 2022

Specification Sheet Version 1.3A

Units measured in imperial inches

Green Theory reserves the right to revise technical specifications at any time without prior notice. Correct mounting hardware and the method of mounting of the product are imperative to user safety. Use installation instructions to correctly position and install product.  
©2022 Green Theory Design

# Join Edging

## Right Angle

### Materials

Made with Powder Coated Marine Grade Aluminum (0.125") or raw Weathering Steel (11 Gauge)

- 5052 Aluminum
- A 606 Weathering Steel

### Standard Powder Coat

- Matte Black
- Pewter
- Gloss White
- Metallic Silver
- Smokey Beige
- Suede Bronze

### Premium Powder Coat

- Obsidian
- Sandstone
- Desert
- Terra
- Dark Oak
- Smoke

### Custom Powder Coat

RAL \_\_\_\_\_

### Additional Details

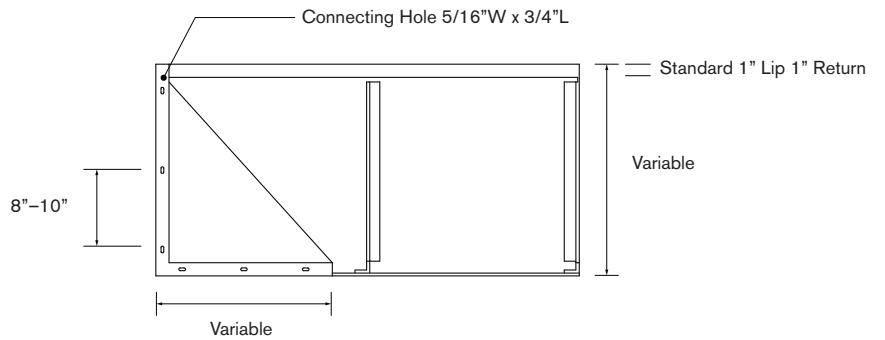
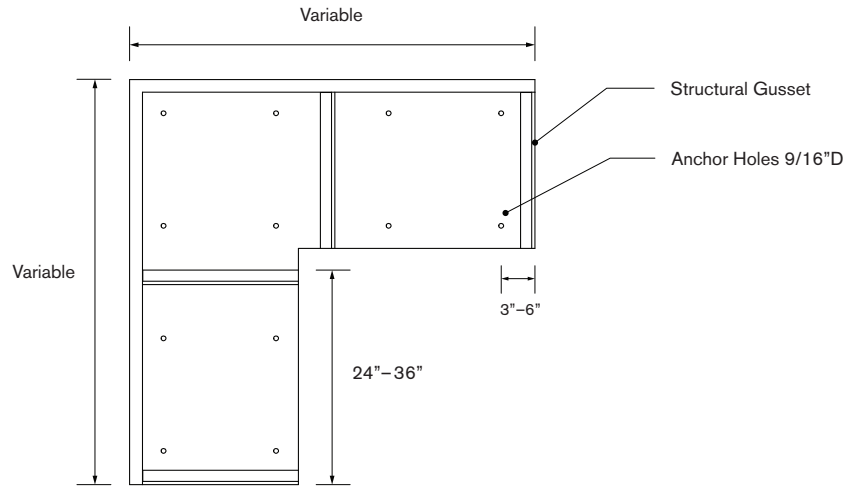
- 1" Top Lip with 1" Return
- Internal Bracing
- Insulation
- Lighting

### Notes

\_\_\_\_\_

### Quantity

\_\_\_\_\_



**Green Theory™**

greentheorydesign.com

Date: 02 22 2022  
 Specification Sheet Version 1.3A  
 Units measured in imperial inches

Green Theory reserves the right to revise technical specifications at any time without prior notice. Correct mounting hardware and the method of mounting of the product are imperative to user safety. Use installation instructions to correctly position and install product.  
 ©2022 Green Theory Design