

Dek Bin Enclosure

Bin Specifications

- Fully Welded Construction
- AAMA 2604 Powder Coat
- Powder Coated Inside and Out

How to Specify this Product

Include Bin Length, Width and Height.
Specify Product Variations, Installation,
Pattern Options, Color and Material.



Sizes - Bin

- DEK5-1
28"L x 28"W x 49"H
L705mm x W710mm x H1250mm
- DEK5-2
34"L x 34"W x 55"H
L860mm x W860mm x H1405mm

Pattern Options

- Custom Patterns Available

Warranty and Care

See Warranty and Care Document for
further information on specific details.

- 2 Year Finish Warranty
- 10 Year Structural Warranty

Green Theory™

G-T

greentheory.com

Date: 02 13 2023
Specification Sheet Version 1.0A

Units measured in imperial inches and
metric millimetres.

Green Theory reserves the right to revise technical
specifications at any time without prior notice. Correct
mounting hardware and the method of mounting of the
product are imperative to user safety. Use installation
instructions to correctly position and install product.
©2022 Green Theory Design

Designed by  STREET + GARDEN

Dek Bin Enclosure

Product Code - DEK5-1

32 gallon Bin Enclosure

Weight:

- 125lbs (57kg) - 5052 Aluminum
- 260lbs (118kg) - 304 Stainless Steel

Bin Variations

Materials

Made with Powder Coated 5052 Aluminum or 304 Stainless Steel

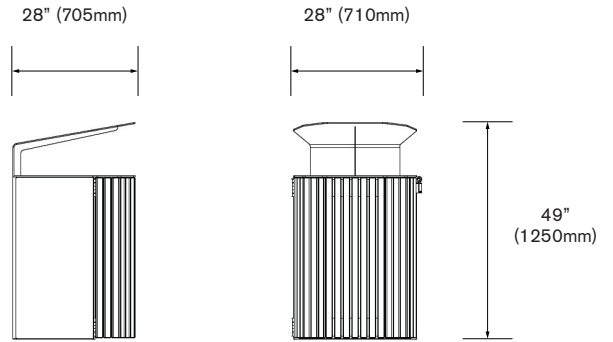
- 5052 Aluminum
- 304 Stainless Steel
- Hardwood Timber

Standard Powder Coat

- Matte Black
- Pewter
- Gloss White
- Metallic Silver
- Smokey Beige
- Suede Bronze

Custom Powder Coat

RAL _____

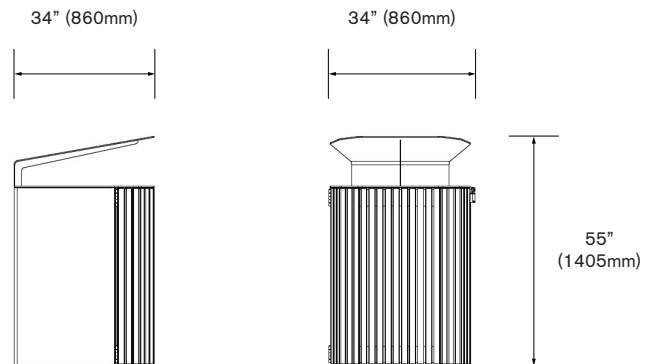


Product Code - DEK5-2

55 gallon Bin Enclosure

Weight:

- 150lbs (68kg) - 5052 Aluminum
- 350lbs (159kg) - 304 Stainless Steel



Green Theory™

G-T

greentheory.com

Date: 02 13 2023
Specification Sheet Version 1.0A

Units measured in imperial inches and metric millimetres.

Green Theory reserves the right to revise technical specifications at any time without prior notice. Correct mounting hardware and the method of mounting of the product are imperative to user safety. Use installation instructions to correctly position and install product.
©2022 Green Theory Design

Designed by  STREET + GARDEN

Dek Bin Enclosure

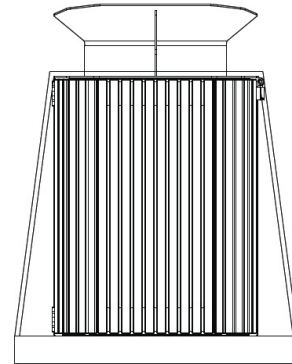
Delivery Loading & Unloading Detail

Recommended on site Delivery Detail

Bin Specifications

Delivery Loading & Unloading Detail

- Product is supplied loose and freestanding, or strapped to Pallets or Skids if required
- Product is secured with appropriate padding for protection during transit
- Product can be loaded/unloaded using Forklift, Crane, or similar
- All handling suggestions are to be used as a guide only. It is the full responsibility of the installing party to ensure the appropriate lifting methods are practised



Installation Detail

- Use product to mark and drill fixings locations in slab/footing
- Install product using masonry or chemical anchors (supplied by others)
- Secure product to anchors using security fixings (supplied by others)
- CRITICAL NOTE - Wheelie Bin not included with bin enclosures.
- 4 x 3/8" or (M10) masonry anchors with Security nuts (supplied by others)

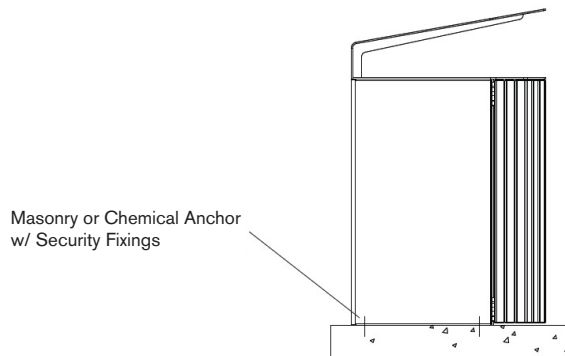
Forklift or Crane required to move and lift product into place.

Notes

Quantity

Installation Detail

Recommended on site Installation Detail



Green Theory™

G-T

greentheory.com

Date: 02 13 2023
Specification Sheet Version 1.0A

Units measured in imperial inches and metric millimetres.

Green Theory reserves the right to revise technical specifications at any time without prior notice. Correct mounting hardware and the method of mounting of the product are imperative to user safety. Use installation instructions to correctly position and install product.
©2022 Green Theory Design