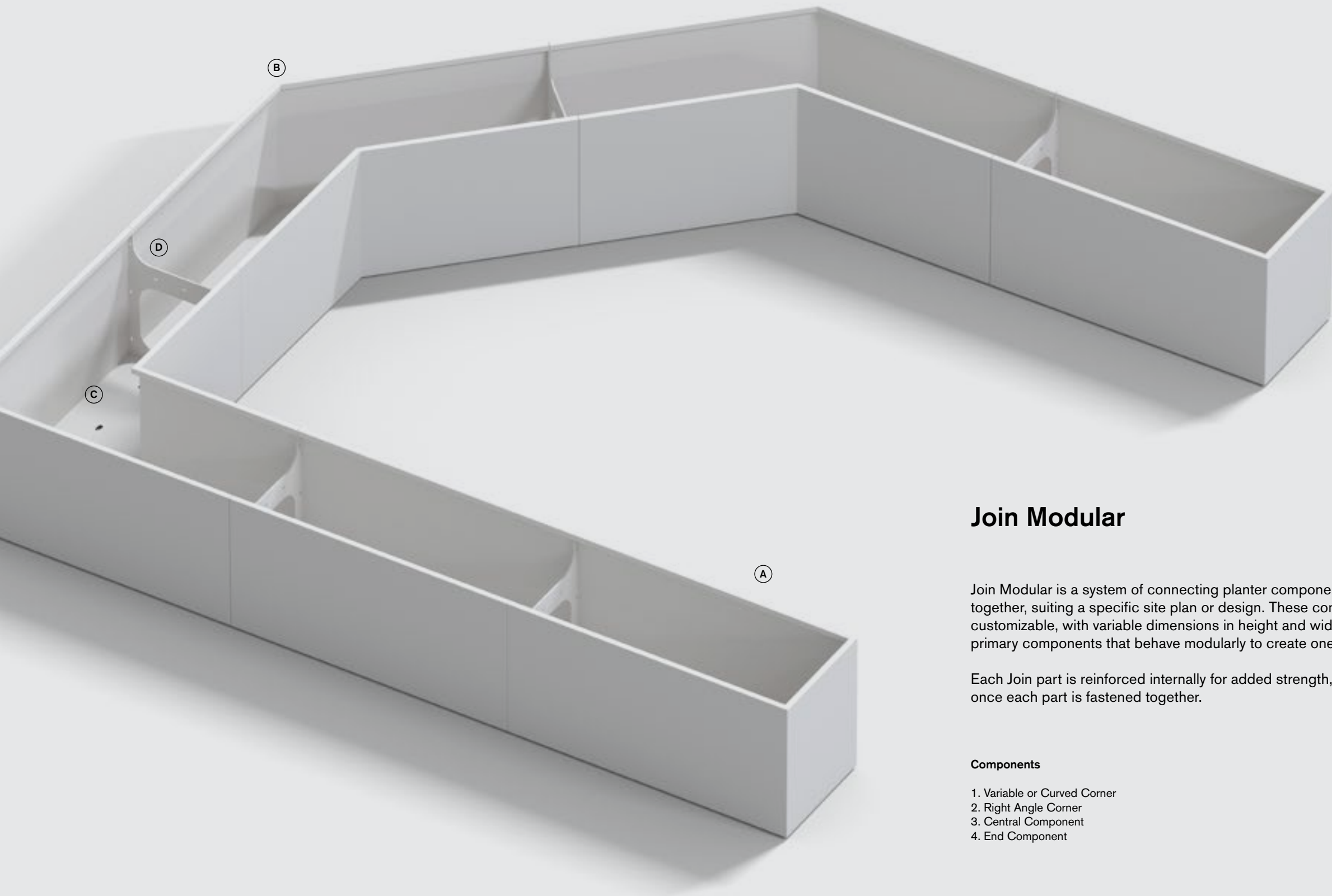


Join Modular

Green Theory™



Join Modular

Join Modular is a system of connecting planter components designed to be fastened together, suiting a specific site plan or design. These components are each highly customizable, with variable dimensions in height and width. The system includes four primary components that behave modularly to create one larger configuration.

Each Join part is reinforced internally for added strength, contributing to the whole once each part is fastened together.

Components

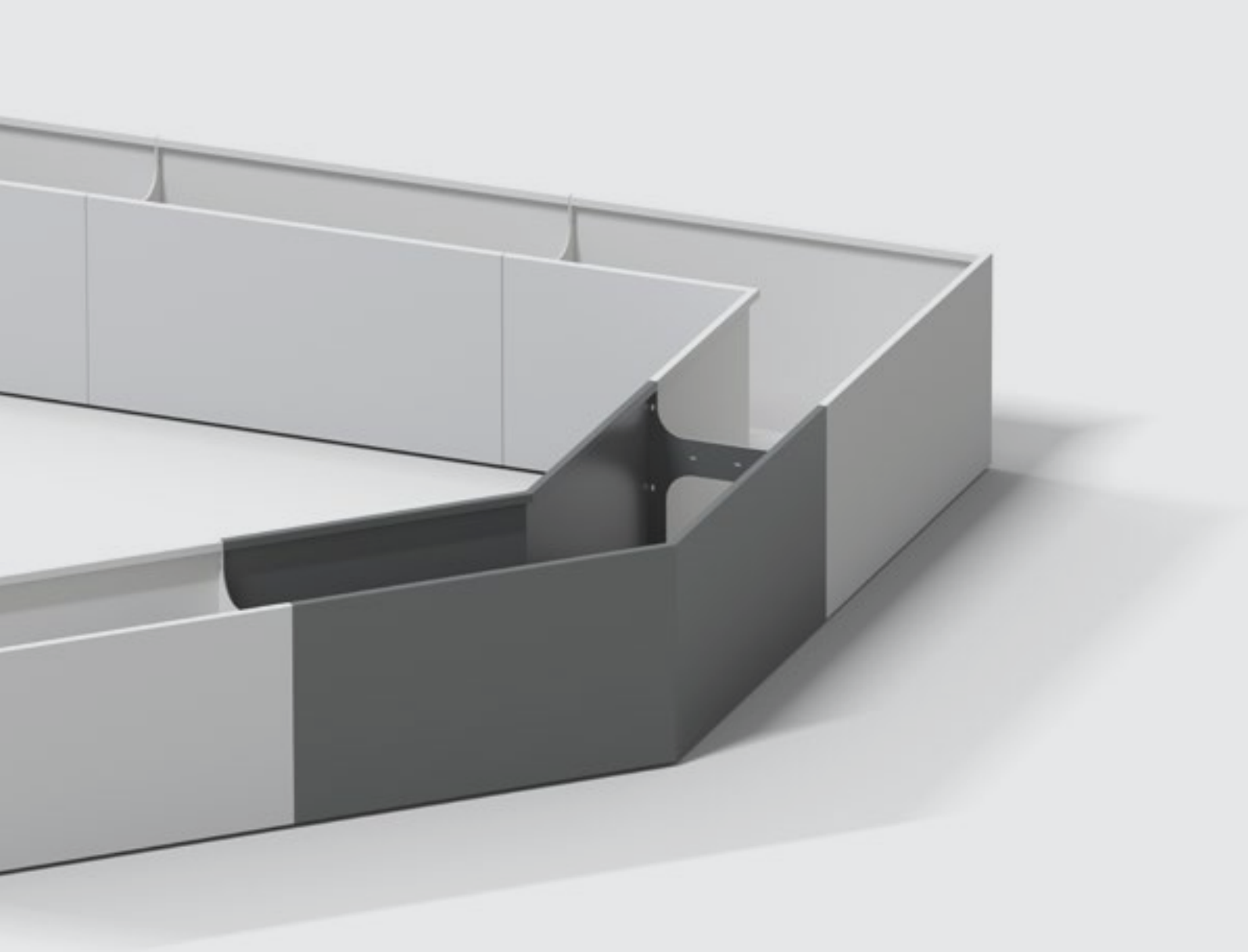
1. Variable or Curved Corner
2. Right Angle Corner
3. Central Component
4. End Component

A
Double return top lip provides strength to planter wall and accommodates internal gusseting.

B
Variable angle includes acute angles up to 13 degrees as well as curves.

C
Planter bottom includes laser cut drainage holes and optional anchor points.

D
Internal gussets provide strength to the planter component and anchor points for fastening.

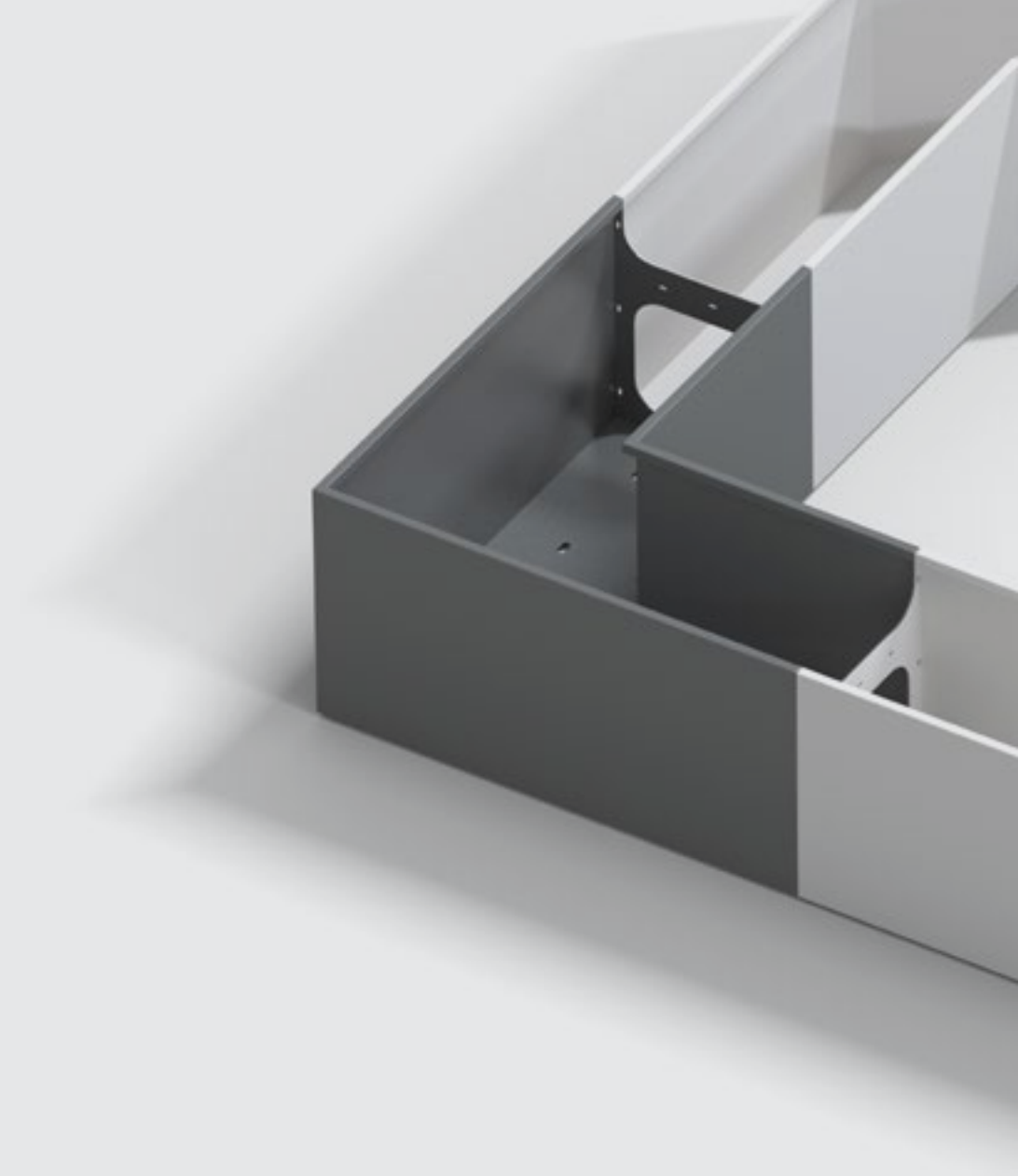


Variable Corner

A variable corner component is a central part of the Join System, allowing for variable angles that direct a series of Join components in different directions. This component is illustrated below as a central part of a system but is also available in acute angles, curves and as a terminating component.

[Download Spec Sheet](#)

Specifications Drawing: See page 22

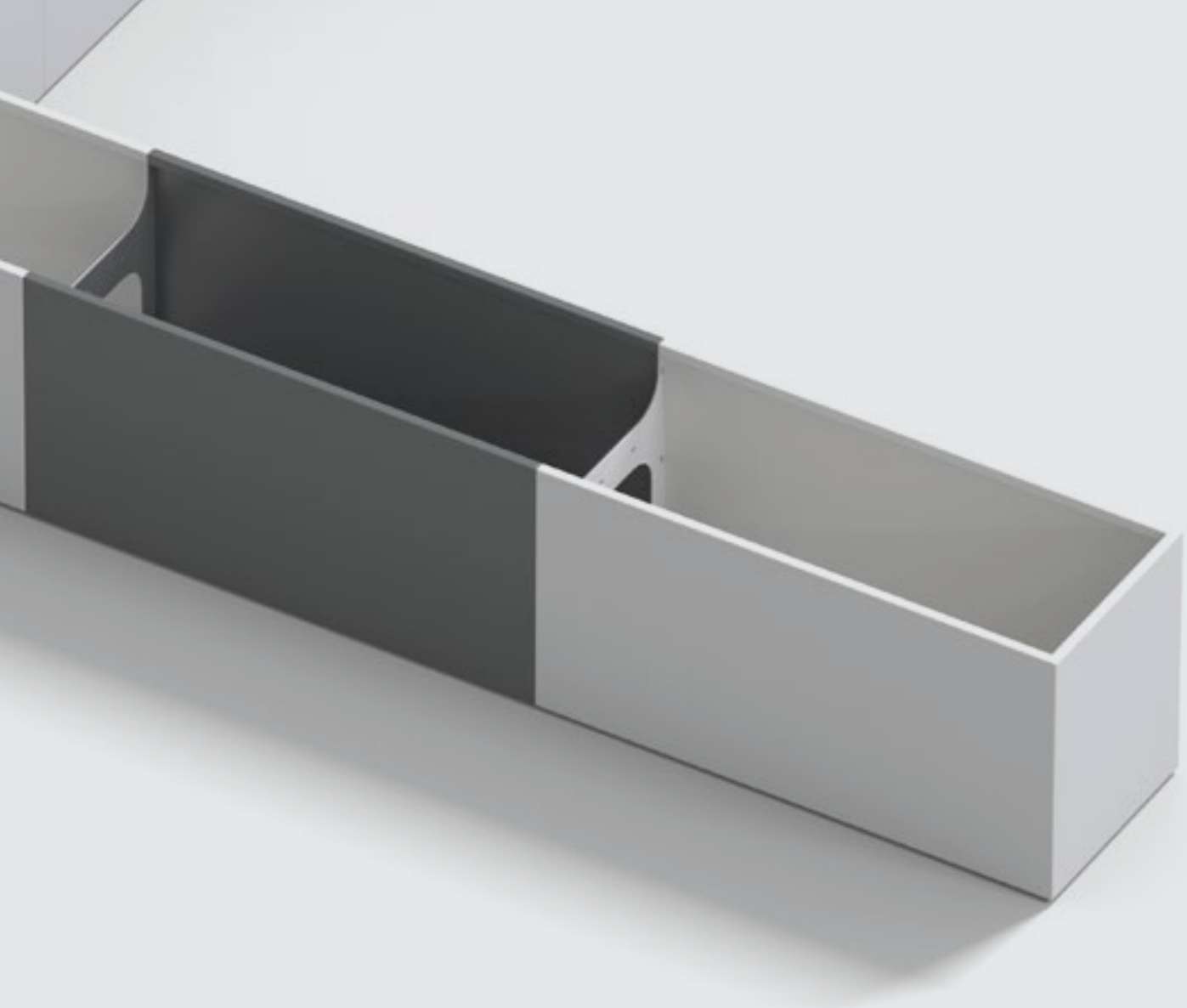


Right Angle Corner

A right angle corner component is a central part of the Join System, allowing for a 90 degree angle that directs a series of Join components in a perpendicular direction. This component is illustrated below as a central part of a system but is also available as a terminating component.

[Download Spec Sheet](#)

Specifications Drawing: See page 22

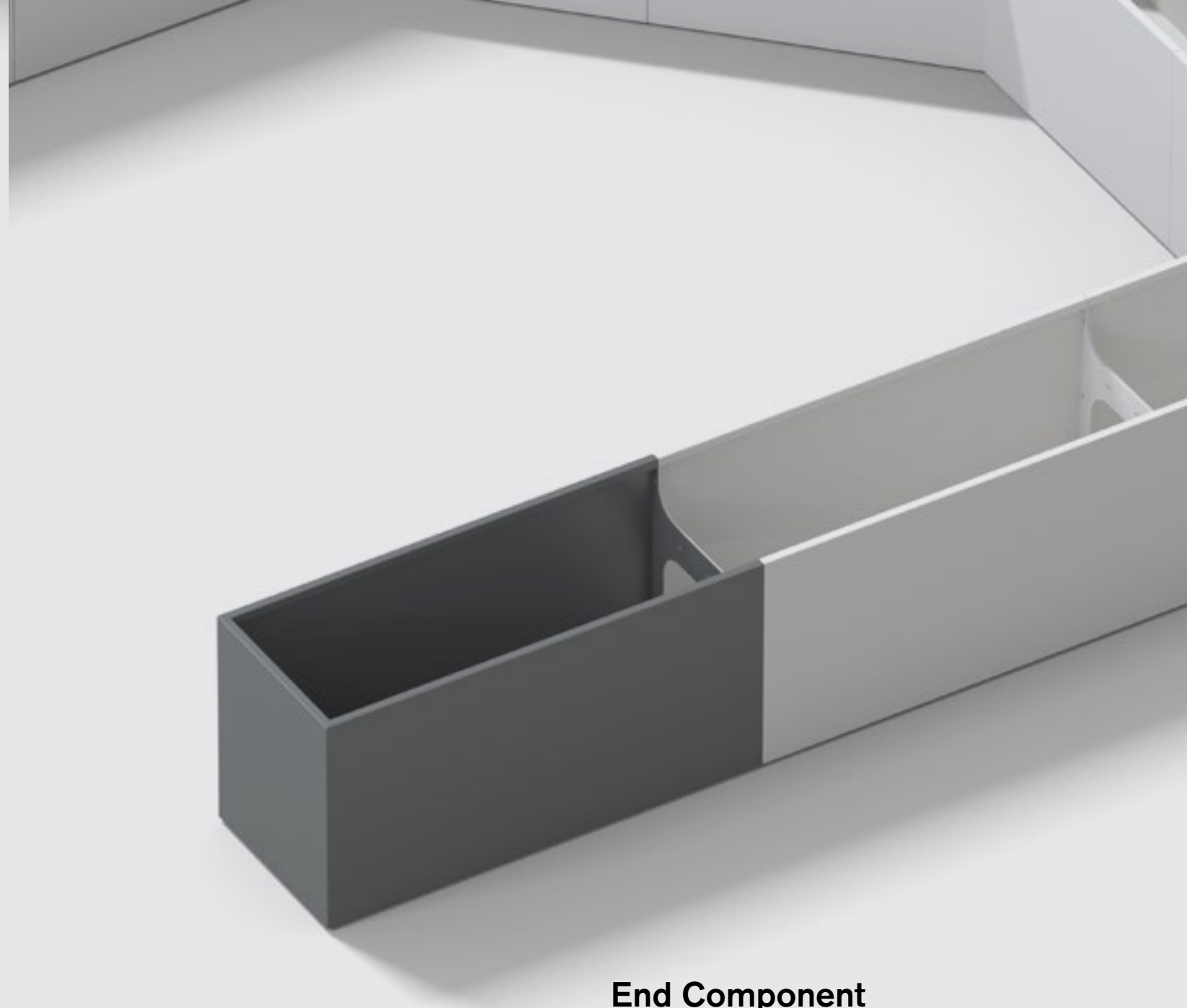


Central Component

Allowing for variable angles that direct a series of Join planters. This component is illustrated below as a central part of the system but is also available as a terminating component.

[Download Spec Sheet](#)

Specifications Drawing: See page 23



End Component

A right angle corner component is can be a central part of the join system, allowing for a 90 degree angle that directs a series of Join planters in a perpendicular direction. This component is illustrated below as a central part of a system but is also available as a terminating component.

[Download Spec Sheet](#)

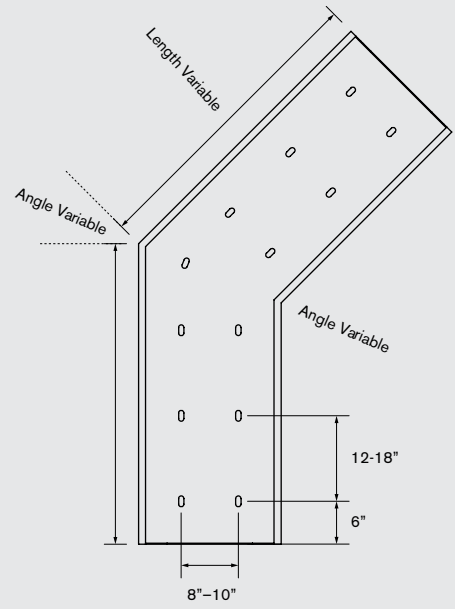
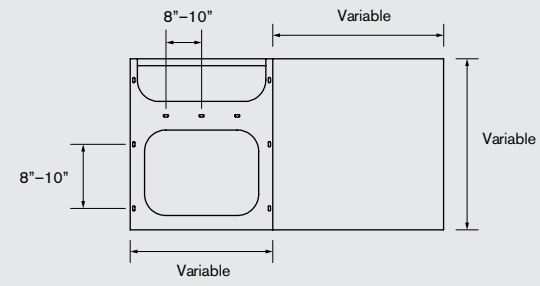
Specifications Drawing: See page 23

Modular

Variable Corner
JM-VA

Dimensions:
Variable

[Download](#)

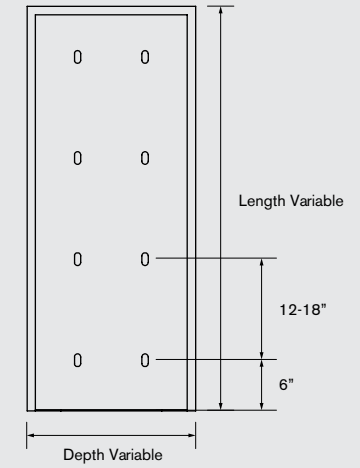
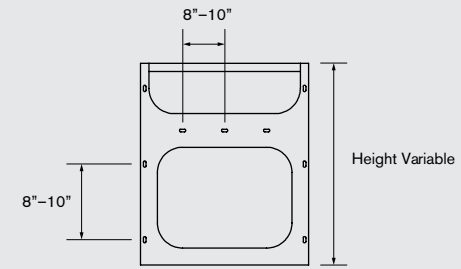


Modular

Central Component
JM-CC

Dimensions:
Variable

[Download](#)

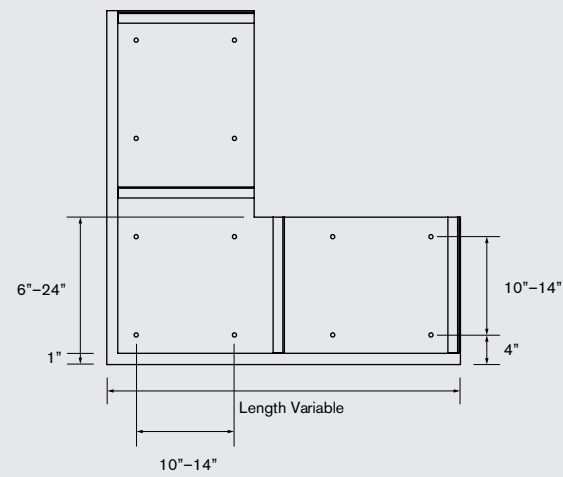
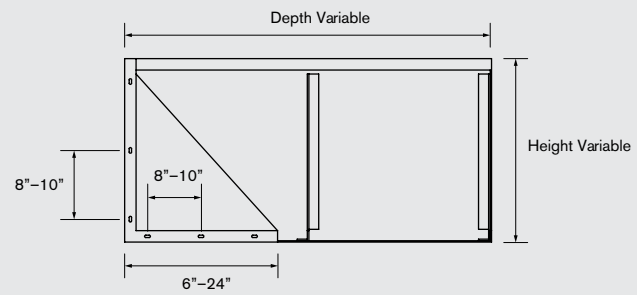


Modular

Right Angle Corner
JM-RA

Dimensions:
Variable

[Download](#)

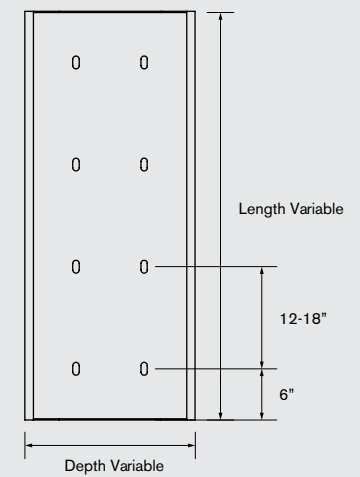
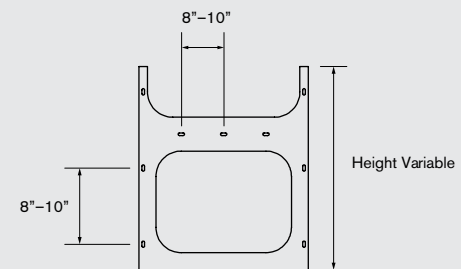


Modular

End Component
JM-TC

Dimensions:
Variable

[Download](#)



About Us

Green Theory specializes in custom planters and site furnishings for the modern landscape. Serving all of North America, our design and manufacturing standards have secured our reputation as a leader in the landscape architecture industry. As we grow, our desire to collaboratively shape the future of outdoor space remains central to our mission.

East

1523 Bell Mill Side Rd.
Tillsonburg, ON N4G 2R9

West

804 1515 Broadway St.
Port Coquitlam BC V3C 6M2

Toll Free

1 844 747 9283