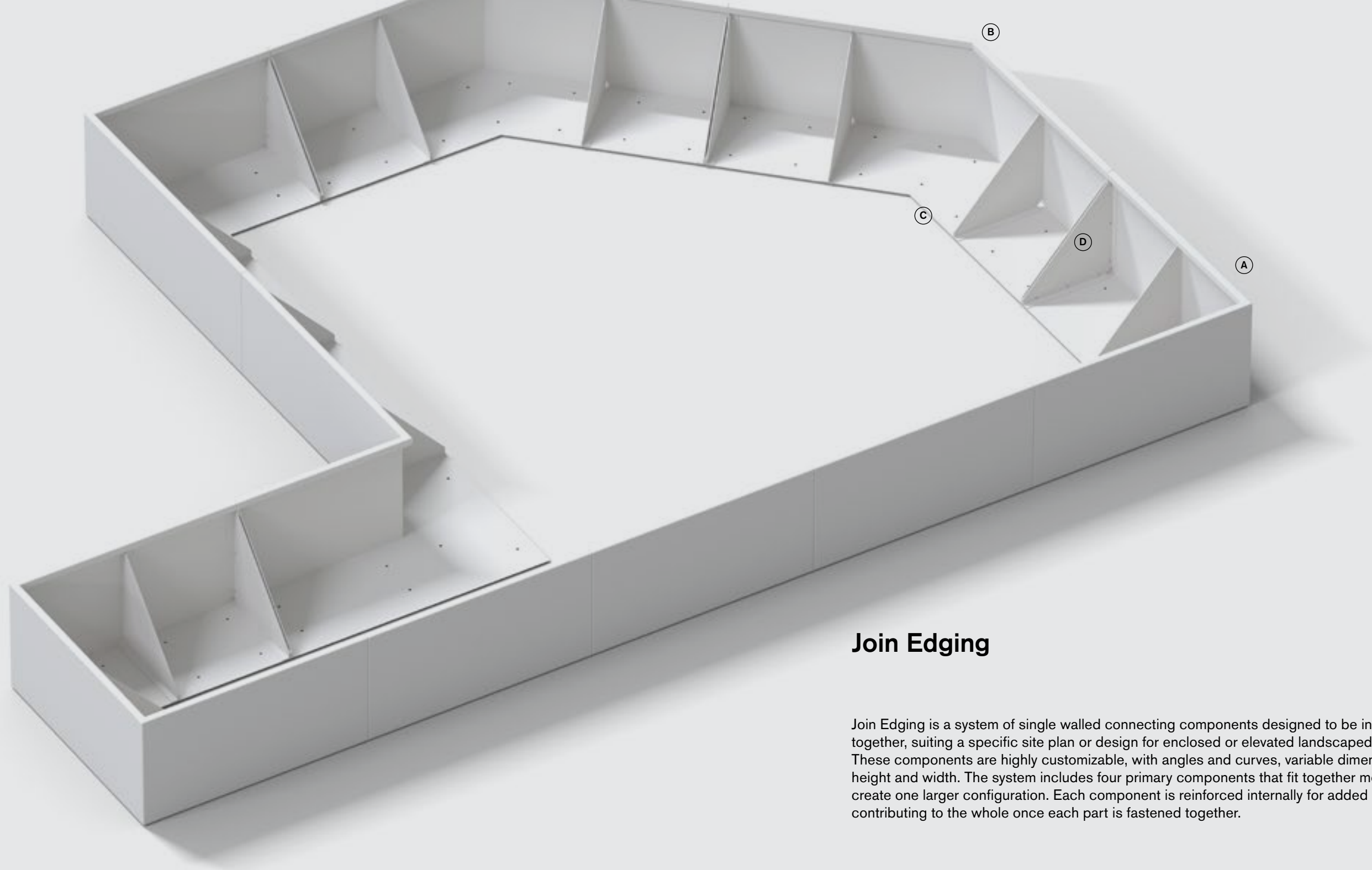


Join Edging

Green Theory™



## Join Edging

Join Edging is a system of single walled connecting components designed to be integrated together, suiting a specific site plan or design for enclosed or elevated landscaped areas. These components are highly customizable, with angles and curves, variable dimensions in height and width. The system includes four primary components that fit together modularly to create one larger configuration. Each component is reinforced internally for added strength, contributing to the whole once each part is fastened together.

### Components

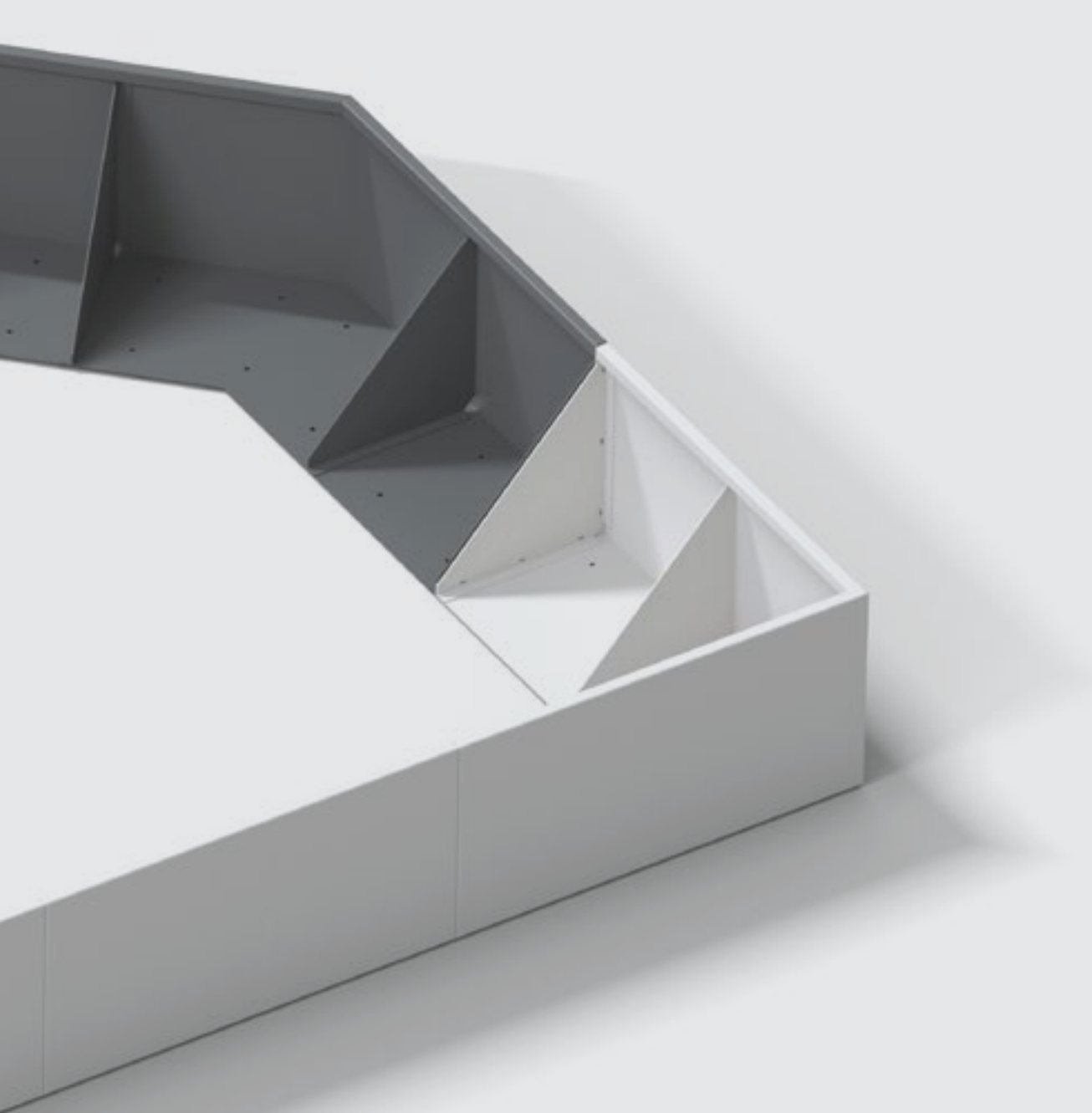
1. Variable or Curved Angle
2. Cap
3. Right Angle
4. Variable Central

**A**  
Double return top lip provides strength to planter wall and accommodates internal gusseting.

**B**  
Variable angle includes acute angles up to 13 degrees as well as curves.

**C**  
Edging bottom includes laser cut anchor holes, optional drainage, kicks, and more.

**D**  
A tested internal gusset system provides strength to the planter component and anchor points for fastening.

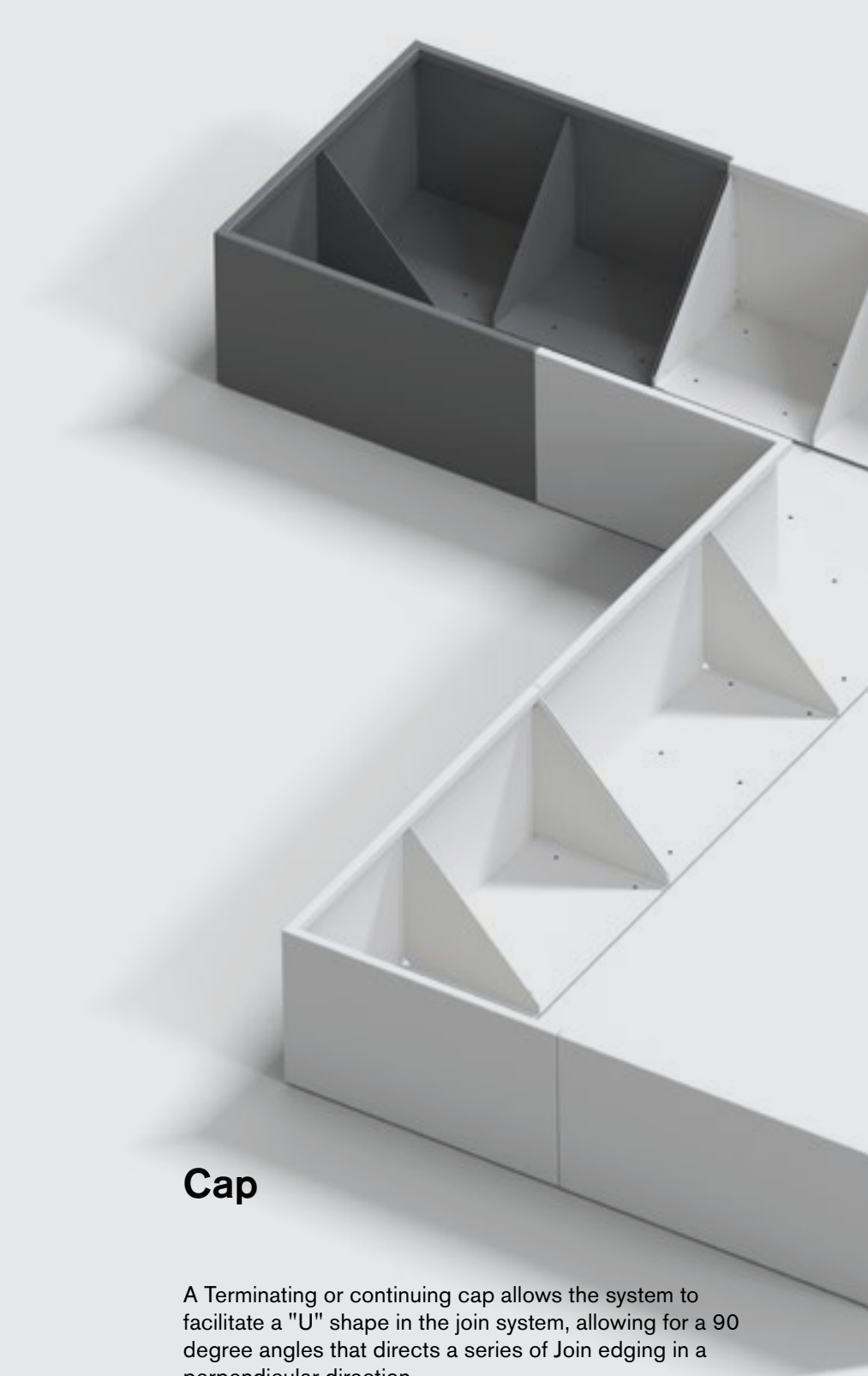


## Variable Angle

Allowing for variable angles and curves that direct a series of Join edging components. This Variable Angle component is illustrated below as a central part of the system but is also available as a terminating component.

[Download Spec Sheet](#)

**Specifications Drawing:** See page 24

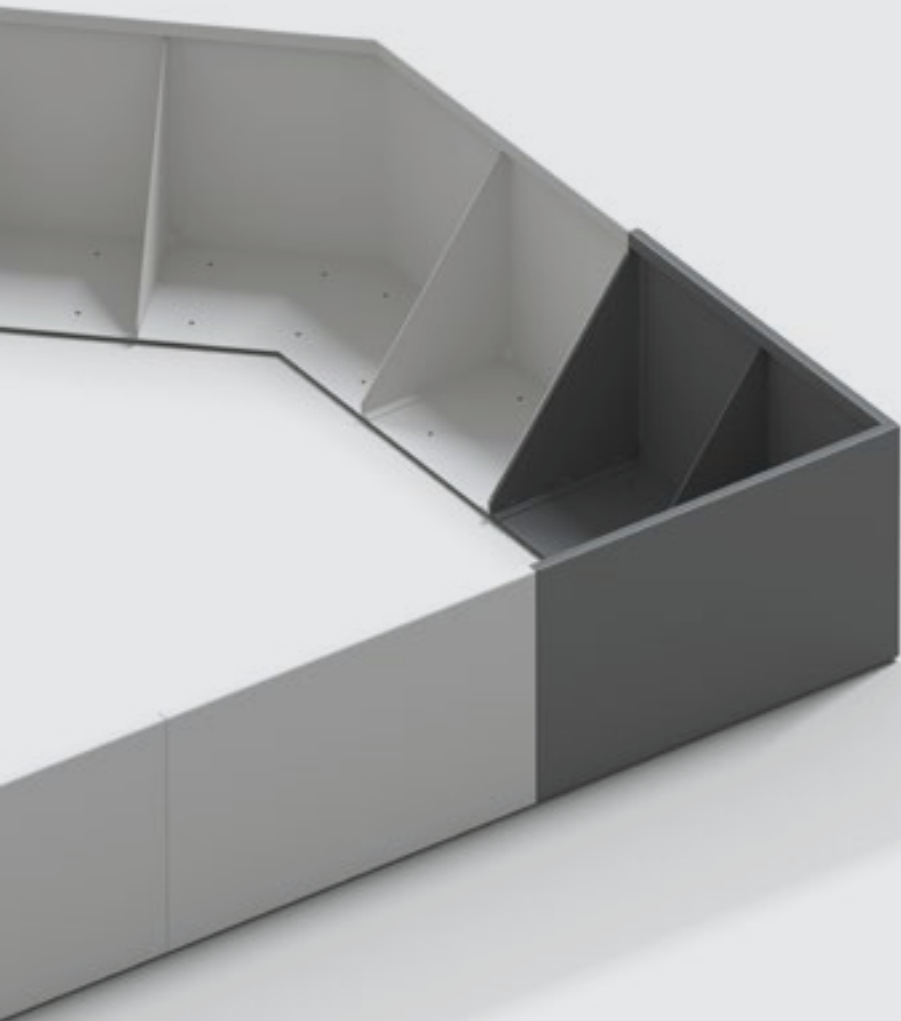


## Cap

A Terminating or continuing cap allows the system to facilitate a "U" shape in the join system, allowing for a 90 degree angles that directs a series of Join edging in a perpendicular direction.

[Download Spec Sheet](#)

**Specifications Drawing:** See page 24

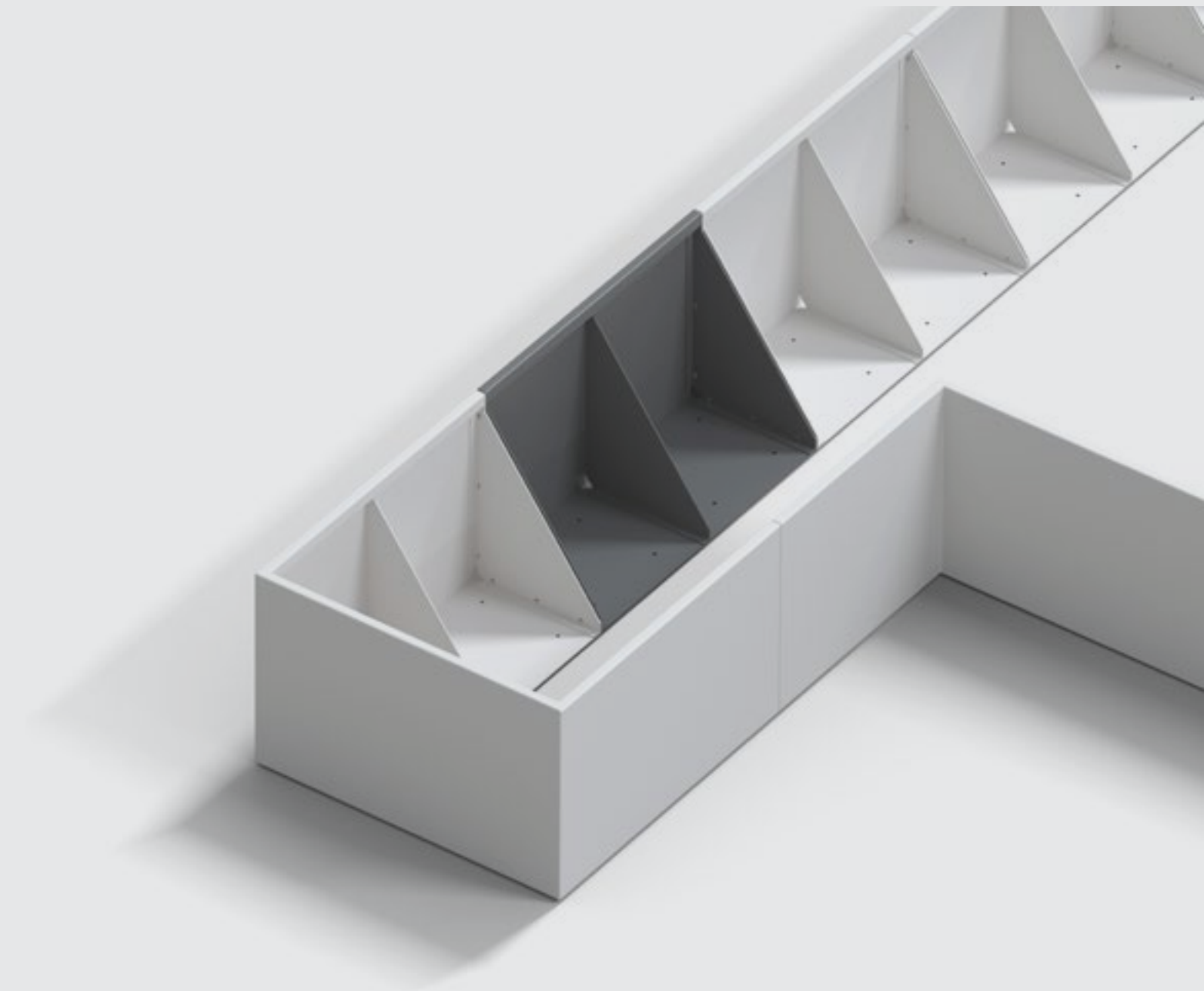


## Right Angle

Allowing for variable angles that direct a series of Join edging. This component is illustrated below as a central part of the system but is also available as a terminating component.

[Download Spec Sheet](#)

**Specifications Drawing:** See page 25



## Variable Central

A central component is designed to add length to a run of edging, providing added strength through internal bracing, as well as featuring a seamless connection profile between components. Central components are a popular solution for straight runs of elevated planted areas.

[Download Spec Sheet](#)

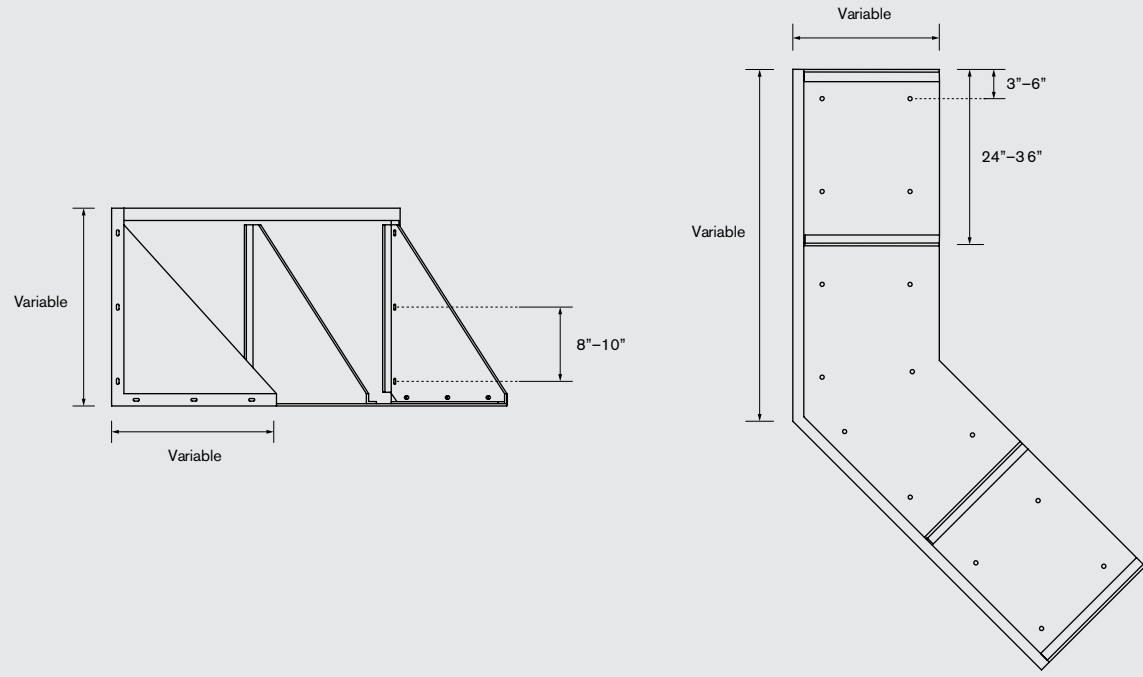
**Specifications Drawing:** See page 25

Edging

**Variable Angle**  
JE-VA

**Dimensions:**  
Variable, Standard Assembly

[Download](#)

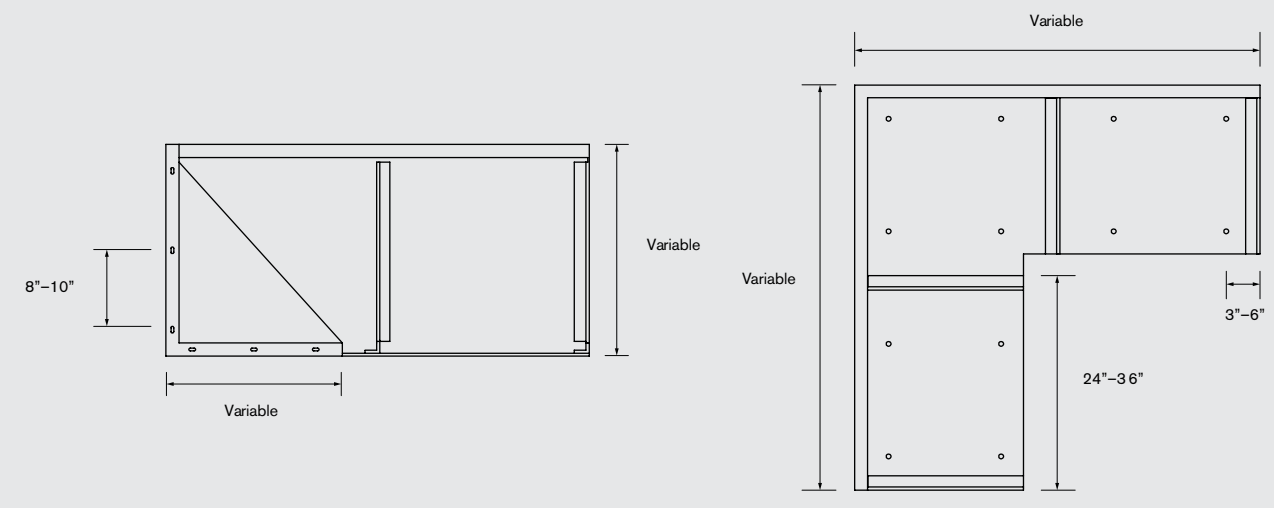


Edging

**Right Angle**  
JE-VC

**Dimensions:**  
Variable, Standard Assembly

[Download](#)

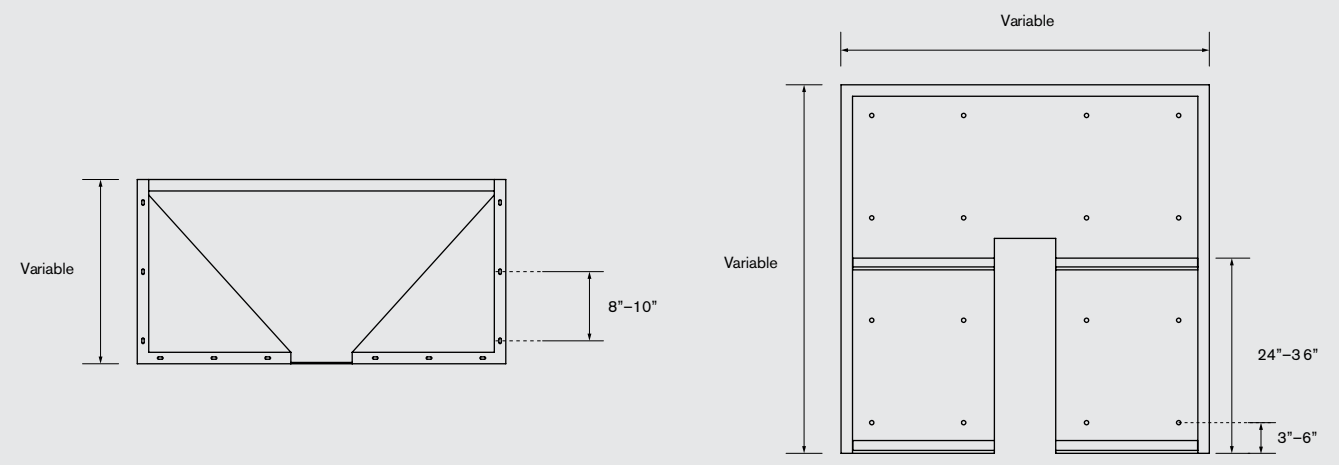


Edging

**Cap**  
JE-C

**Dimensions:**  
Variable, Standard Assembly

[Download](#)

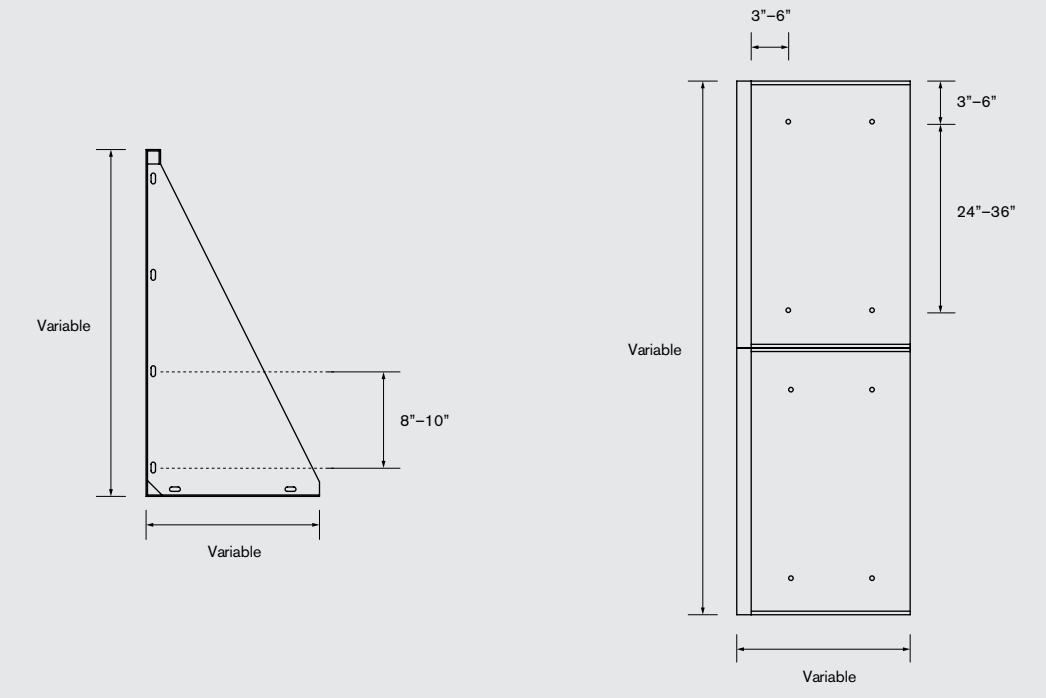


Edging

**Variable Central**  
JE-TC

**Dimensions:**  
Variable, Standard Assembly

[Download](#)



## About Us

Green Theory specializes in custom planters and site furnishings for the modern landscape. Serving all of North America, our design and manufacturing standards have secured our reputation as a leader in the landscape architecture industry. As we grow, our desire to collaboratively shape the future of outdoor space remains central to our mission.

**East**

1523 Bell Mill Side Rd.  
Tillsonburg, ON N4G 2R9

**West**

804 1515 Broadway St.  
Port Coquitlam BC V3C 6M2

**Toll Free**

1 844 747 9283