

Join Aero Modular

Specifications

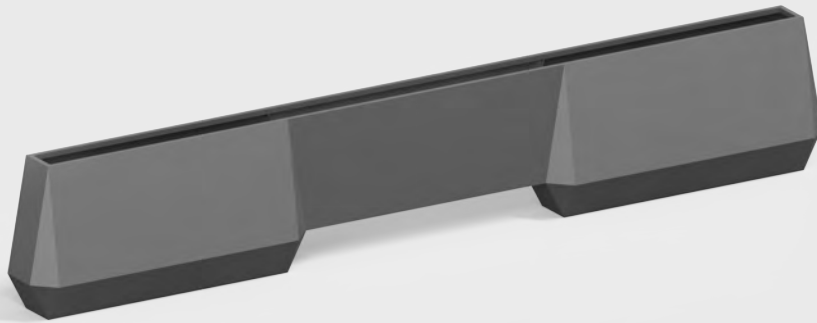
- SKU: JAM-CUSTOM
- Fully Welded Construction
- AAMA 2604 Powder Coat
- Powder Coated Inside and Out
- Multi-Faceted Design
- Raised Planter Section
- Fully Customizable
- Straight and Angled Walls

Components

- Straight
- Variable Angle
- Cap

How to Specify this Product

Supply drawings for custom edging projects and include product name, material, and color. Specify top lip dimensions. Specify if the edging is installed anchored or unanchored.



Green Theory™

G-T

greentheory.com

Date: March 21, 2024
Specification Sheet Version 1.1A

Units measured in imperial inches and metric millimetres.

Green Theory reserves the right to revise technical specifications at any time without prior notice. Correct mounting hardware and the method of mounting of the product are imperative to user safety. Use installation instructions to correctly position and install product.
©2024 Green Theory Design

Join Aero Modular

Product Code - JAM-CUSTOM

Join Aero Modular Planter profile.

Variations

Materials

Made with Powder Coated Marine Grade Aluminum or Weathering Steel

- 5052 Aluminum
- A606 Weathering Steel

Standard Powder Coat

- Matte Black
- Pewter
- Gloss White
- Metallic Silver
- Smokey Beige
- Suede Bronze

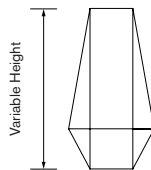
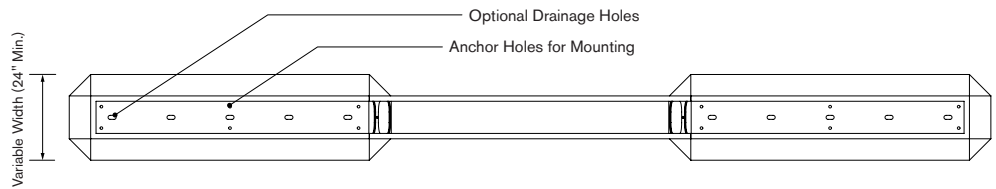
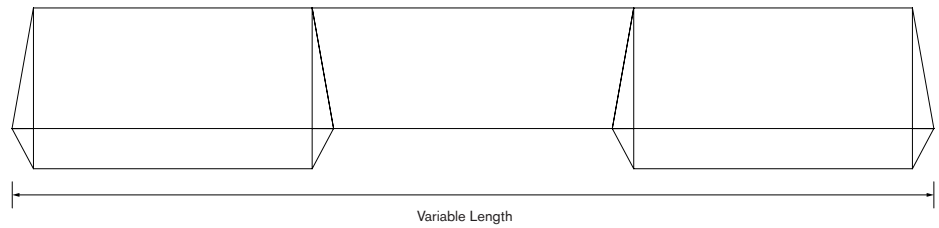
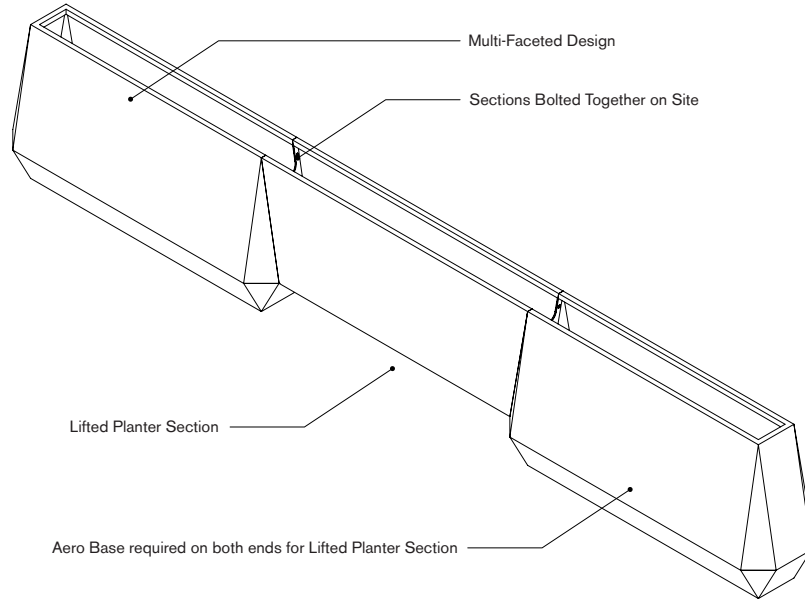
Custom Powder Coat

RAL _____

Warranty and Care

See Warranty and Care Document for further information on specific details.

- 2 Year Finish Warranty
- 10 Year Structural Warranty



Green Theory™

G-T

greentheory.com

Date: March 21, 2024
Specification Sheet Version 1.1A

Units measured in imperial inches and metric millimetres.

Green Theory reserves the right to revise technical specifications at any time without prior notice. Correct mounting hardware and the method of mounting of the product are imperative to user safety. Use installation instructions to correctly position and install product.
©2024 Green Theory Design

Join Aero Modular

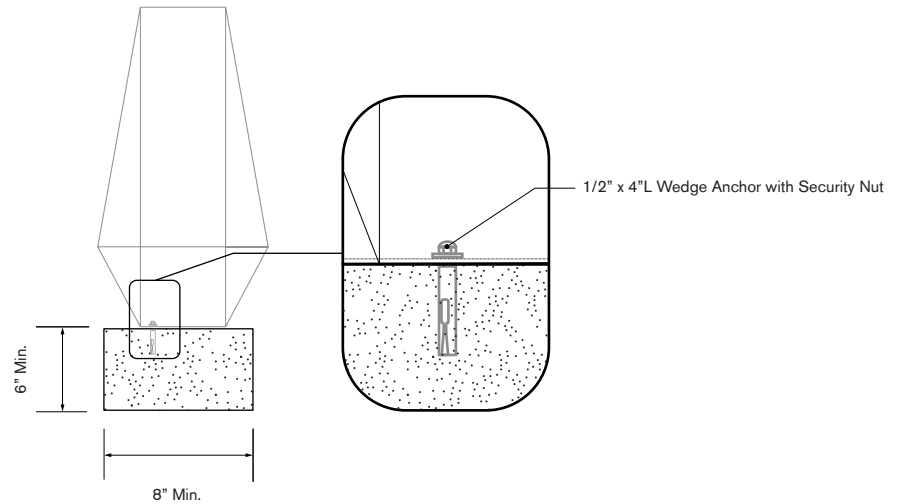
Installation Detail

Recommended on site Installation Detail

Details

Delivery Loading & Unloading Detail

- Product is supplied loose and freestanding, or on skids/pallets if required
- Product is secured with appropriate padding for protection during transit
- Product can be unloaded manually (Recommend 2 person lifting per product)
- All handling suggestions are to be used as a guide only. It is the full responsibility of the installing party to ensure the appropriate lifting methods are practised



Installation Detail

- Use product to mark and drill fixings locations in slab/footing
- Install product using masonry or chemical anchors (supplied by others)
- Secure product to anchors using security fixings (supplied by others)
- 1/2" x 4"L or (M10) Wedge Anchors with Security nuts (supplied by others)

Green Theory™

G-T

greentheory.com

Date: March 21, 2024
Specification Sheet Version 1.1A

Units measured in imperial inches and metric millimetres.

Green Theory reserves the right to revise technical specifications at any time without prior notice. Correct mounting hardware and the method of mounting of the product are imperative to user safety. Use installation instructions to correctly position and install product.
©2024 Green Theory Design