

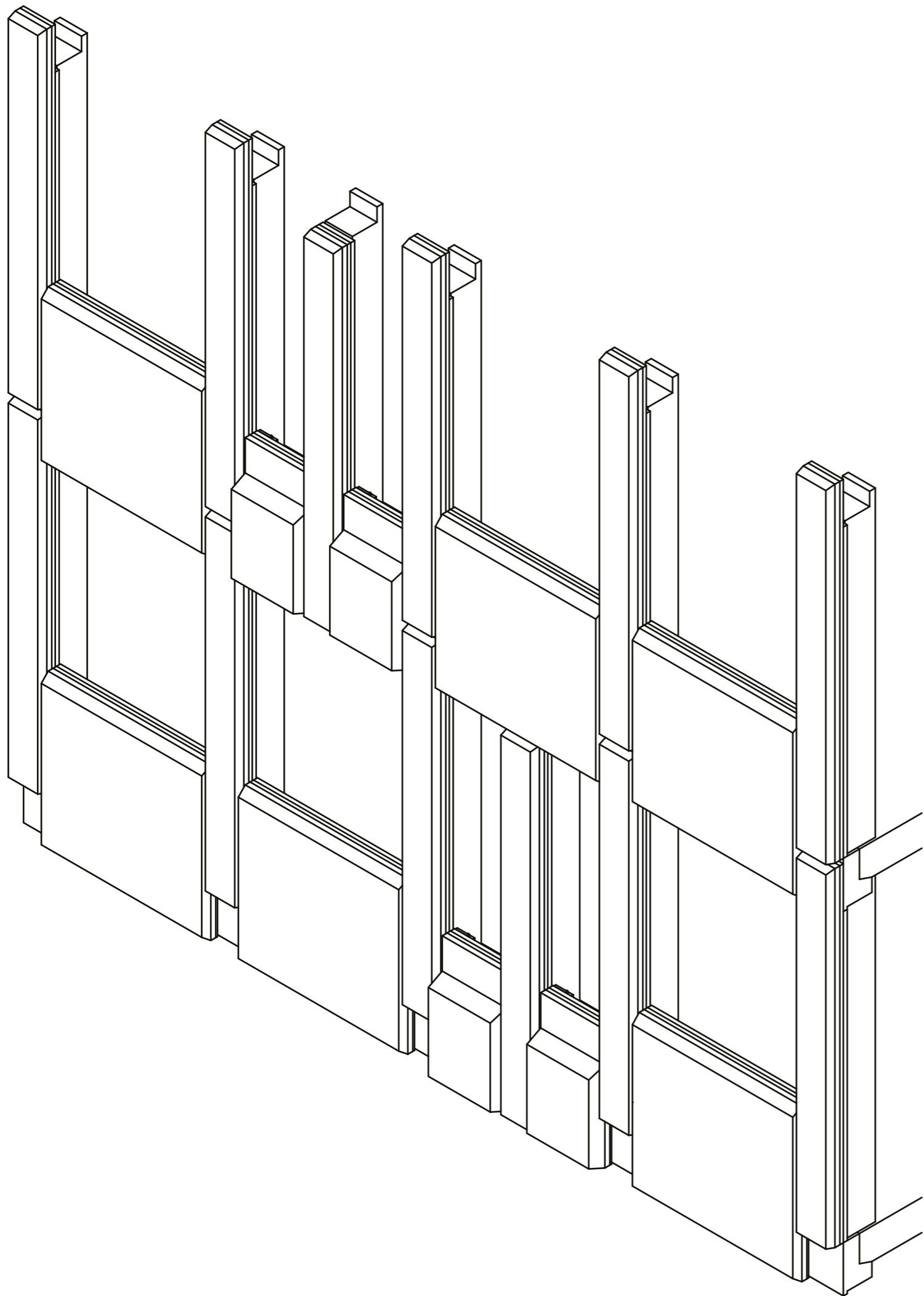
*The element..*

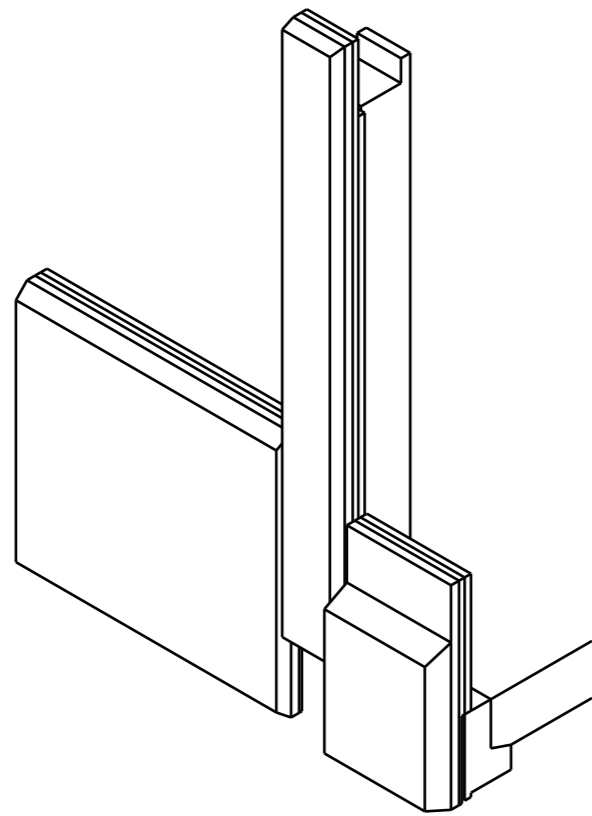
*..in the wall..*

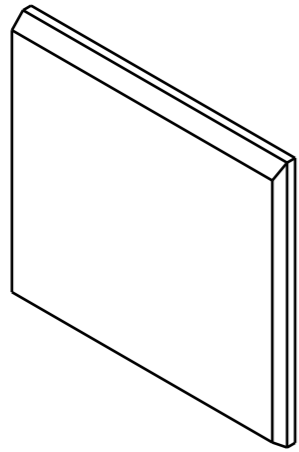
*..in the building..*

*..in the city*

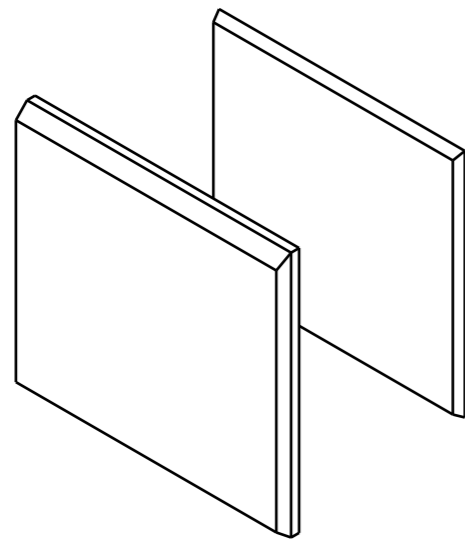






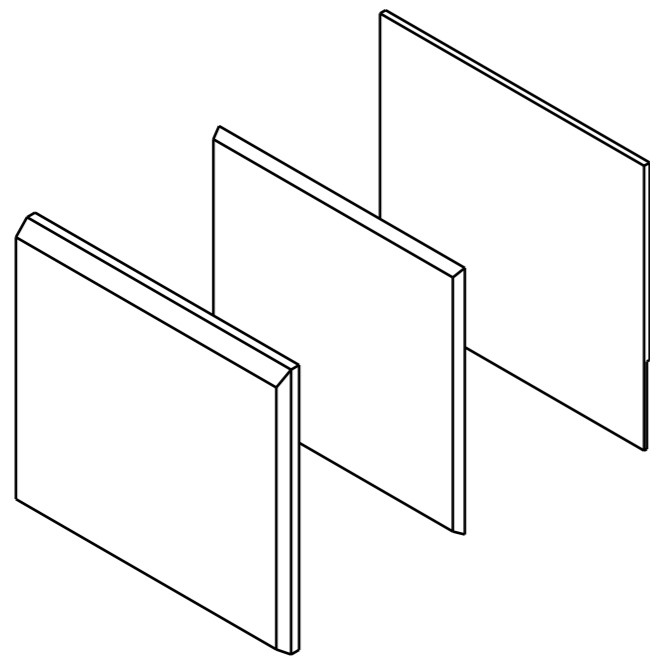


*White concrete with marble*



*Light concrete (Leca)*

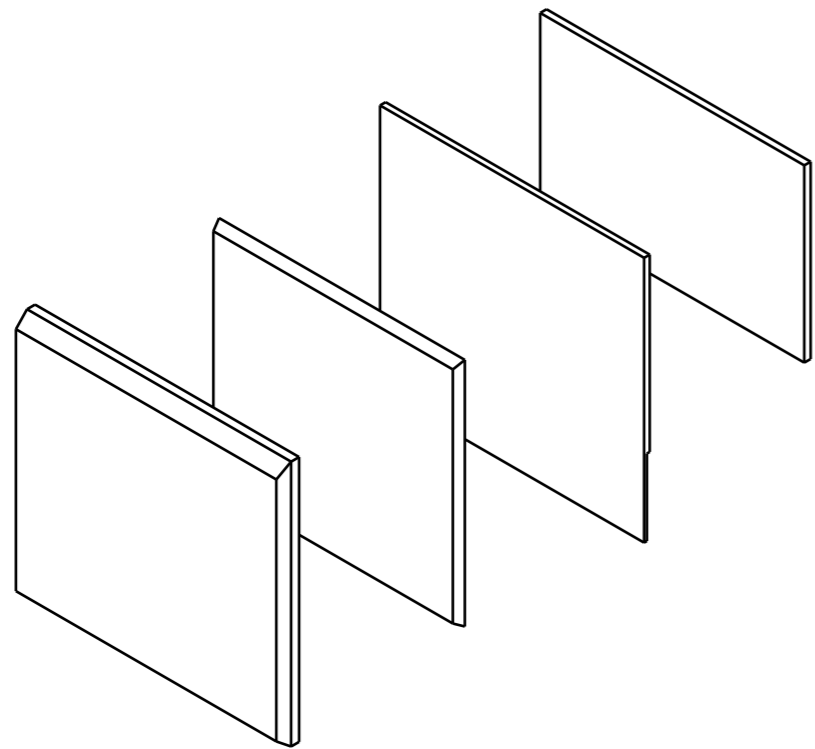
*White concrete with marble*



*Insulation*

*Light concrete (Leca)*

*White concrete with marble*

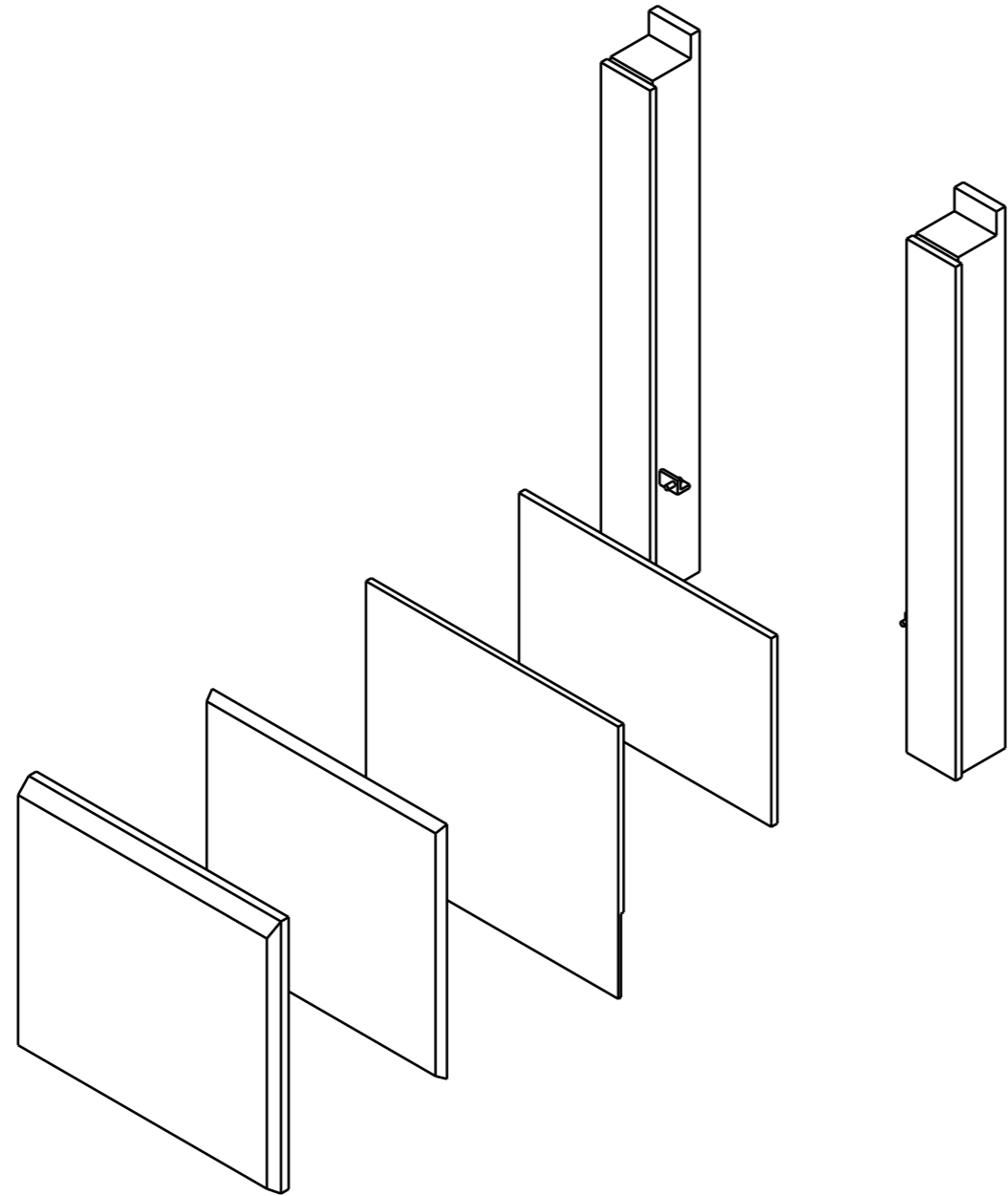


*Concrete*

*Insulation*

*Light concrete (Leca)*

*White concrete with marble*



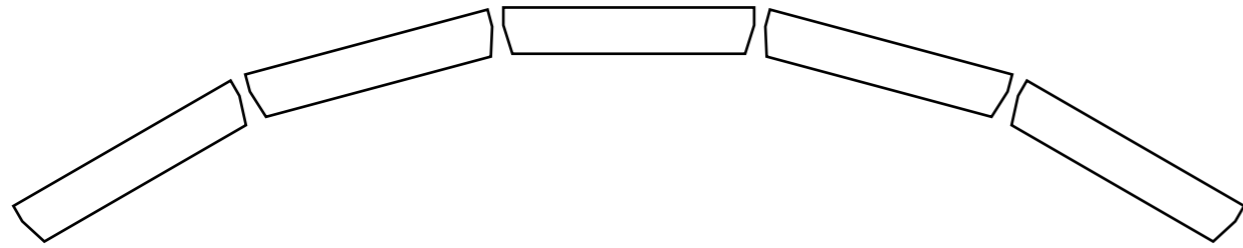
*Mounting*

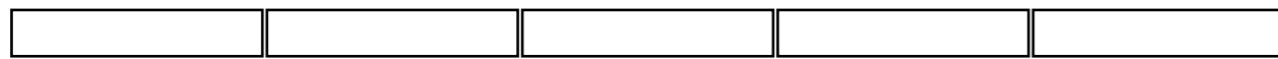
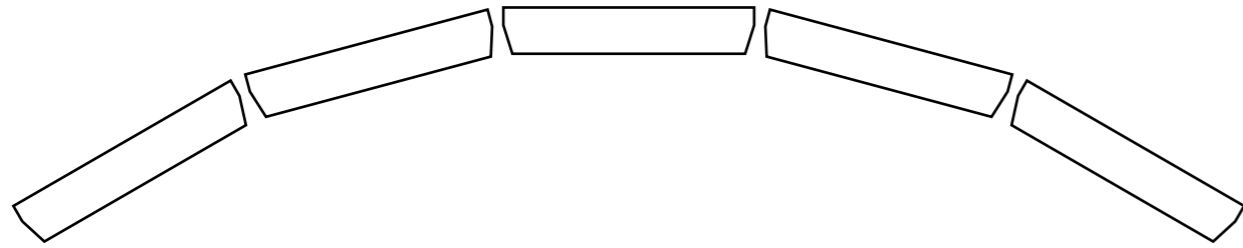
*Concrete*

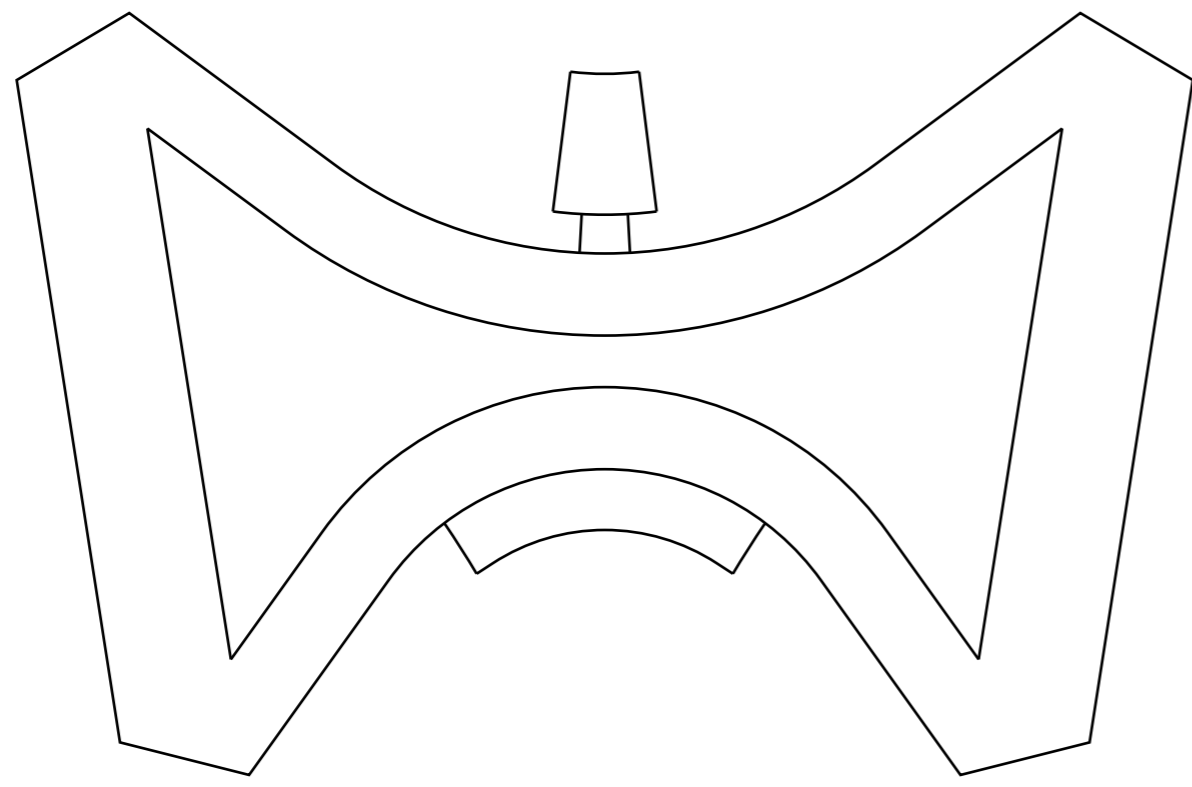
*Insulation*

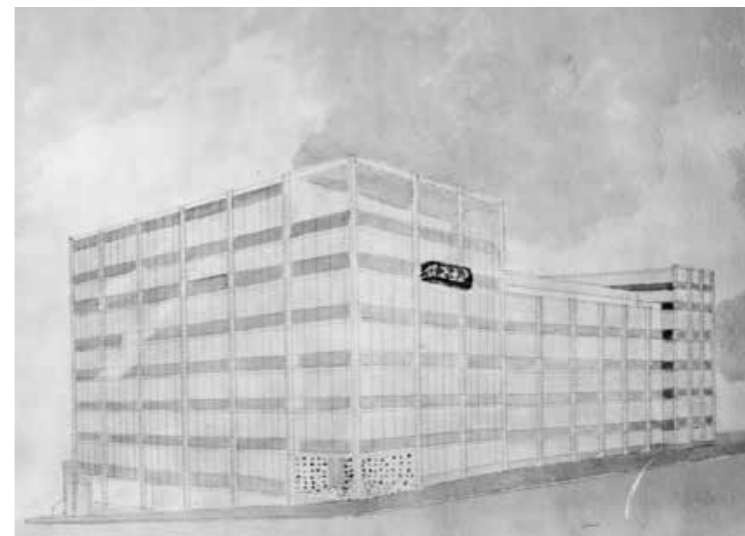
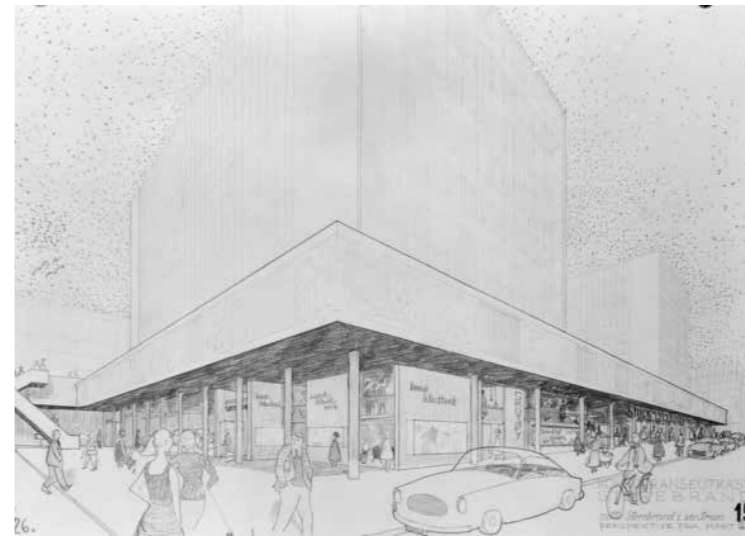
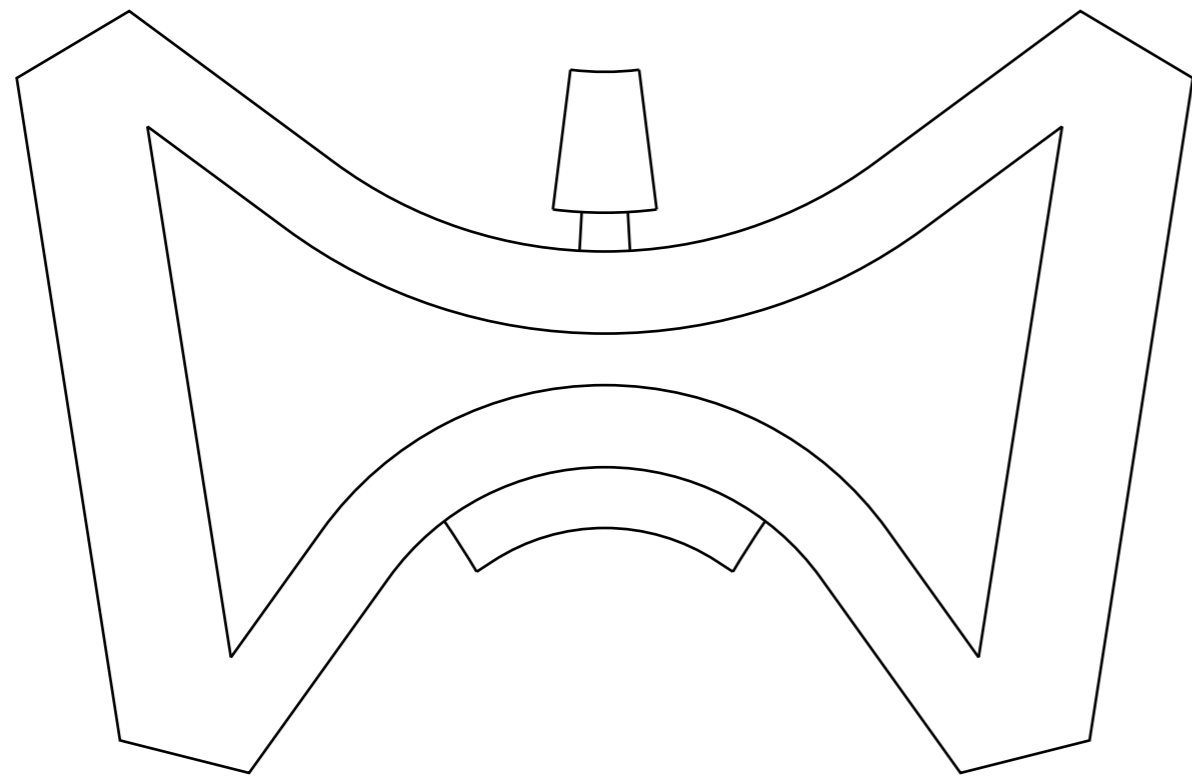
*Light concrete (Leca)*

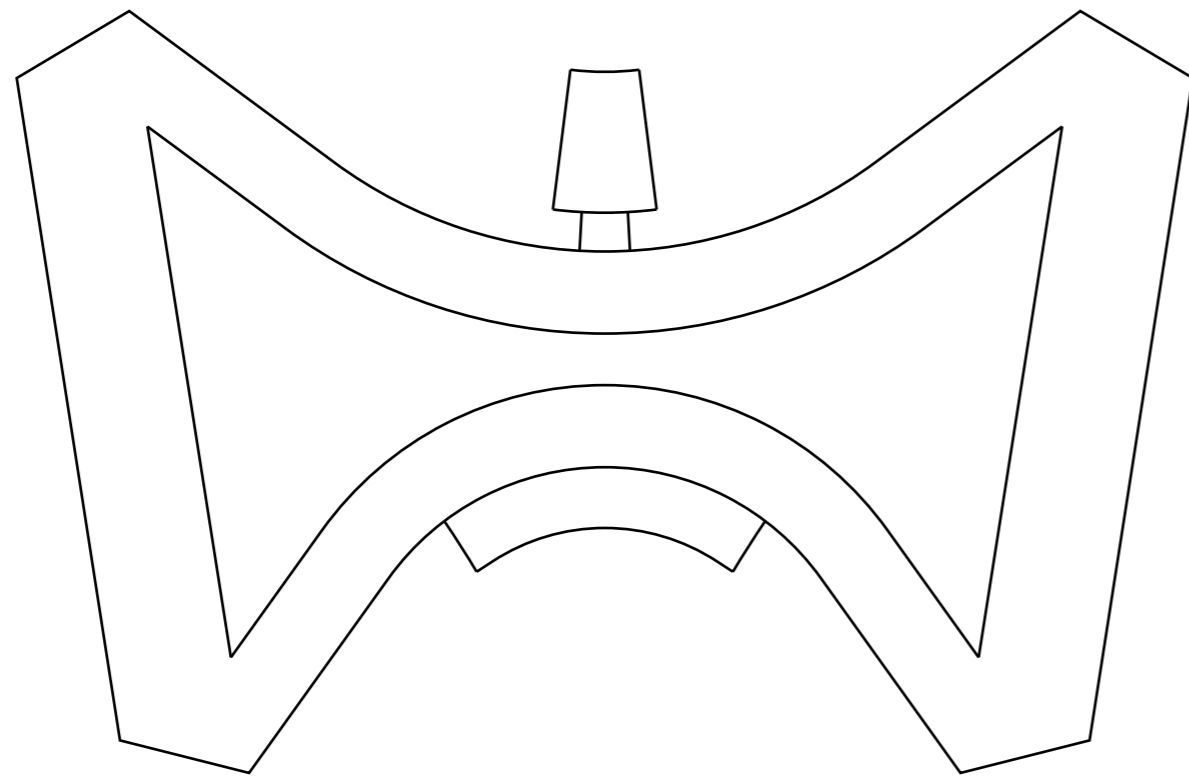
*White concrete with marble*

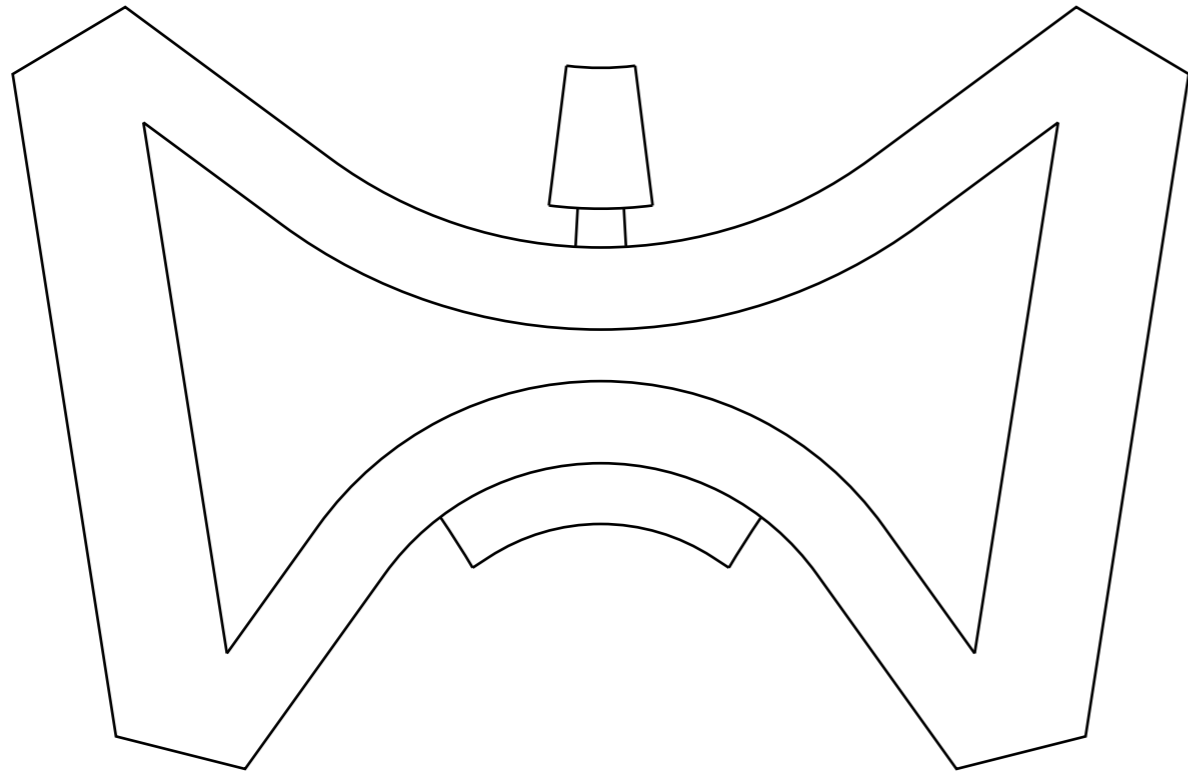




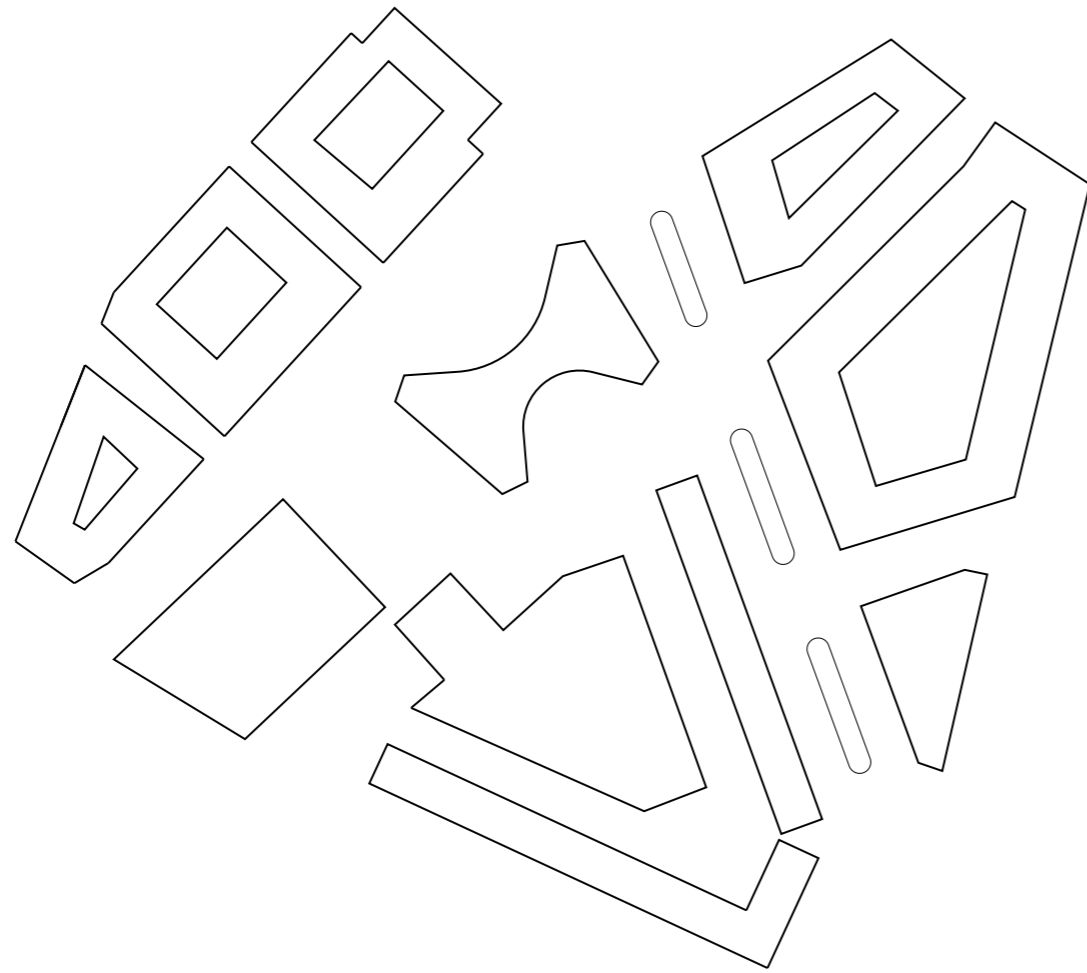






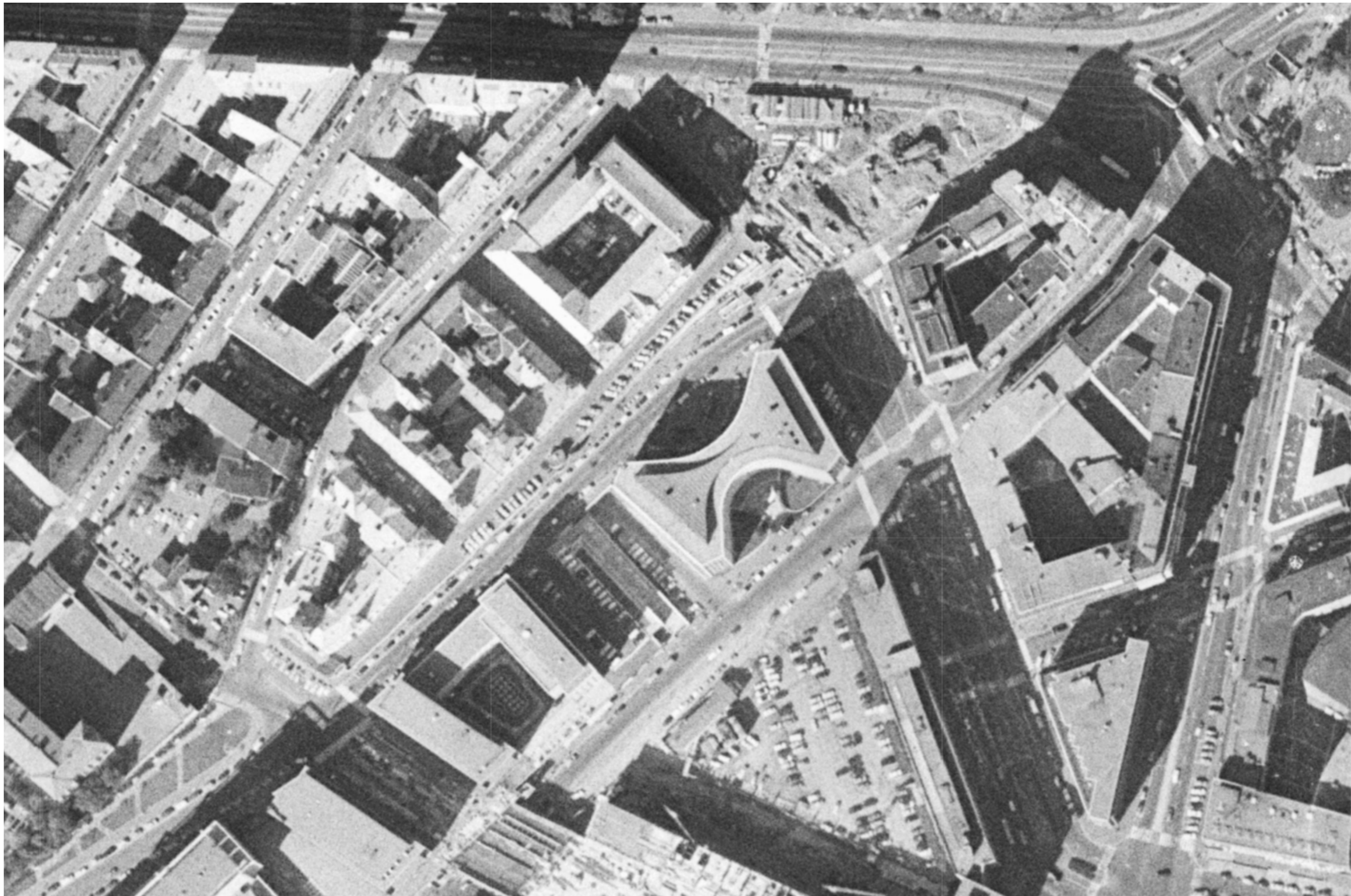








1956



1971

