



Designed by
Radek Brezar

RAW

SANS SOUCI

RAW

Learn more
here:



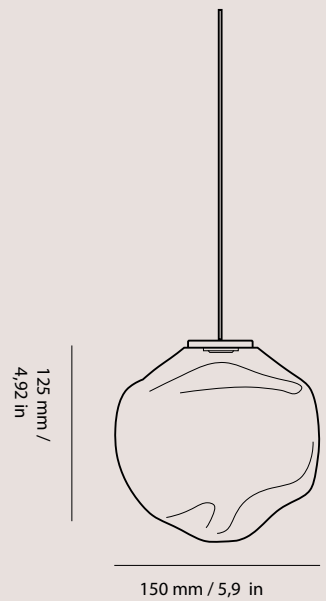
Designed by
Radek Brezar

Raw captures the distinctive beauty of glass in its purest form when taken directly from the furnace. Each component is bold and unique, available in crystal, soda and golden mica finishes to enhance the depth and detail of any interior. Whether displayed individually or clustered together, these pieces offer endless possibilities for creating striking designs.

Colours & Shapes

* Standard overall height of pendant (including cable) is 2500 mm / 98,43 in. The cable can be adjusted by shortening the wire.

** All glass components are handmade – exact dimensions & colour can vary slightly.



Crystal



Soda



Golden Mica

Pendant



