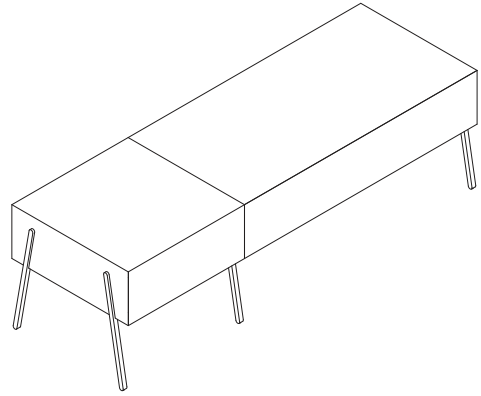
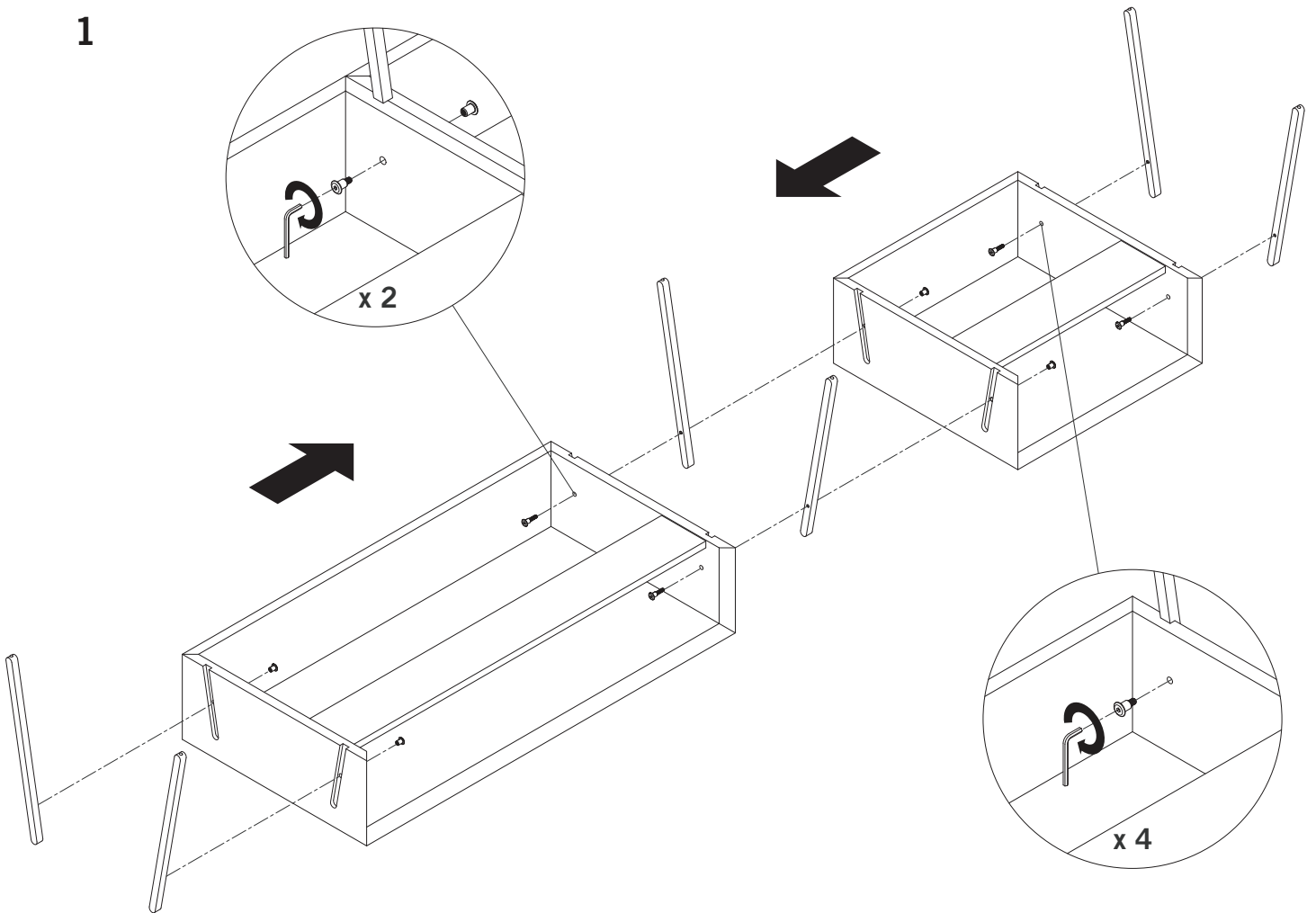


Into

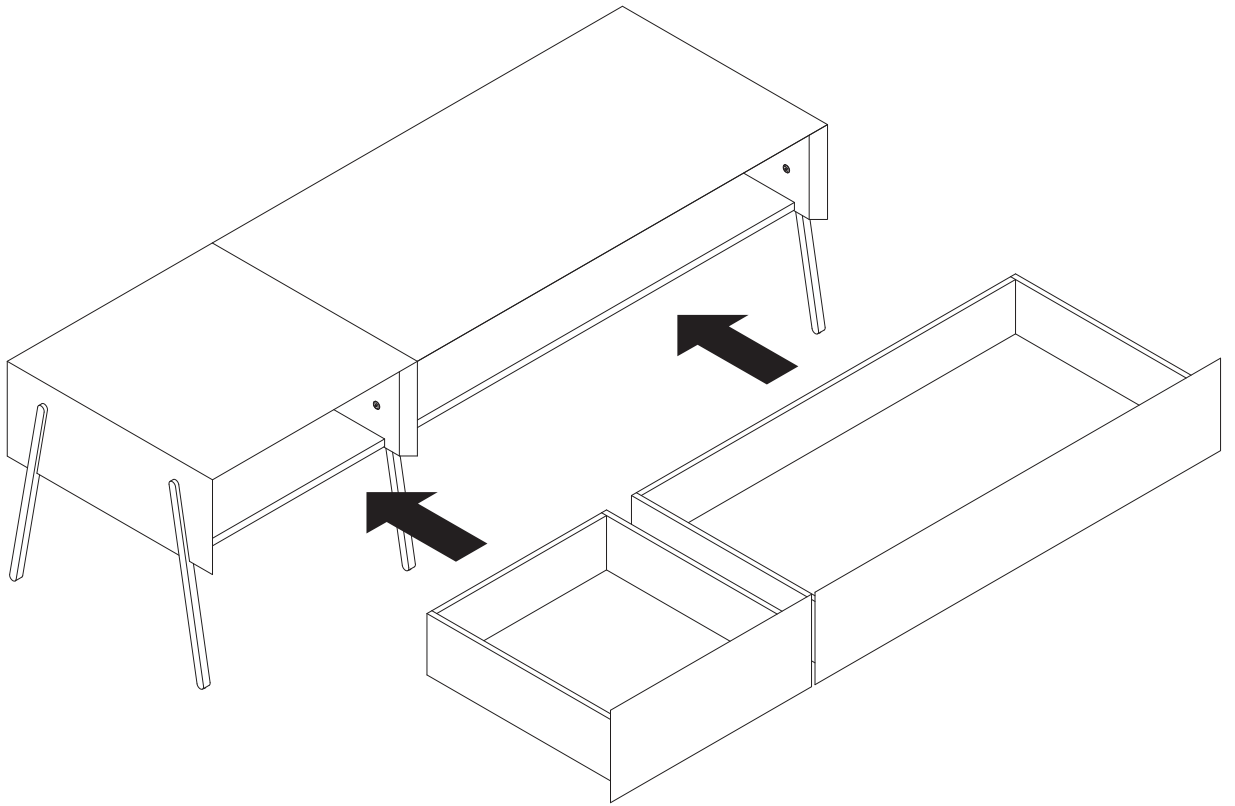
Cabinet Multi-Module



1



2



3

