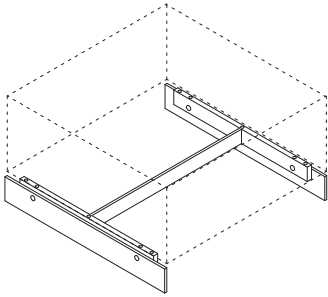
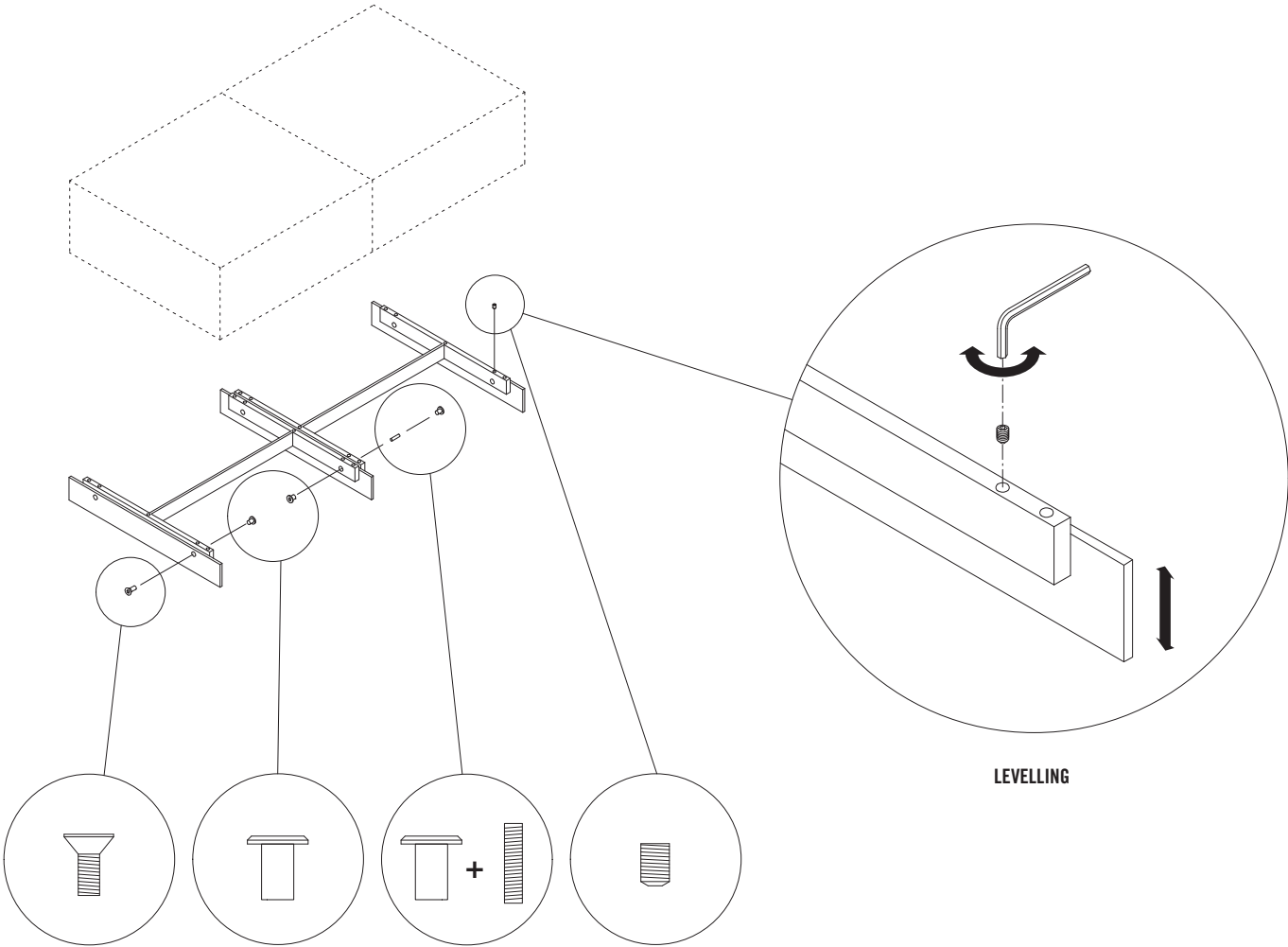


Brix

Metal Base

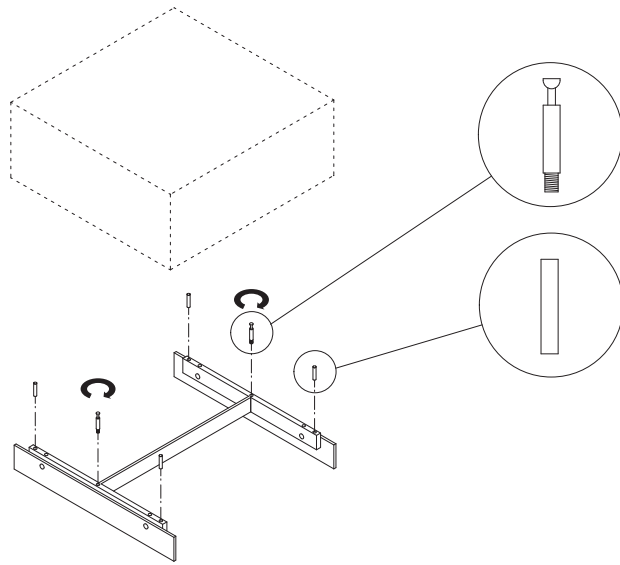


1



⚠ TIGHTEN BOLTS AFTER LEVELLING

2



3

