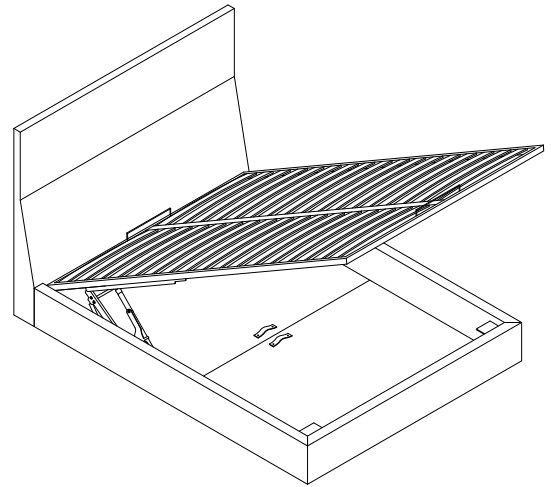
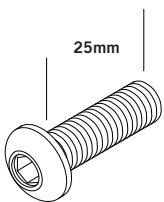
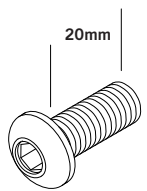
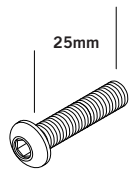
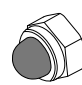
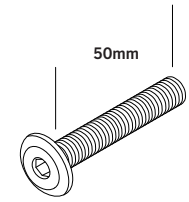
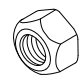
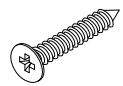


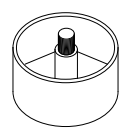


Everest

Assembly Instructions



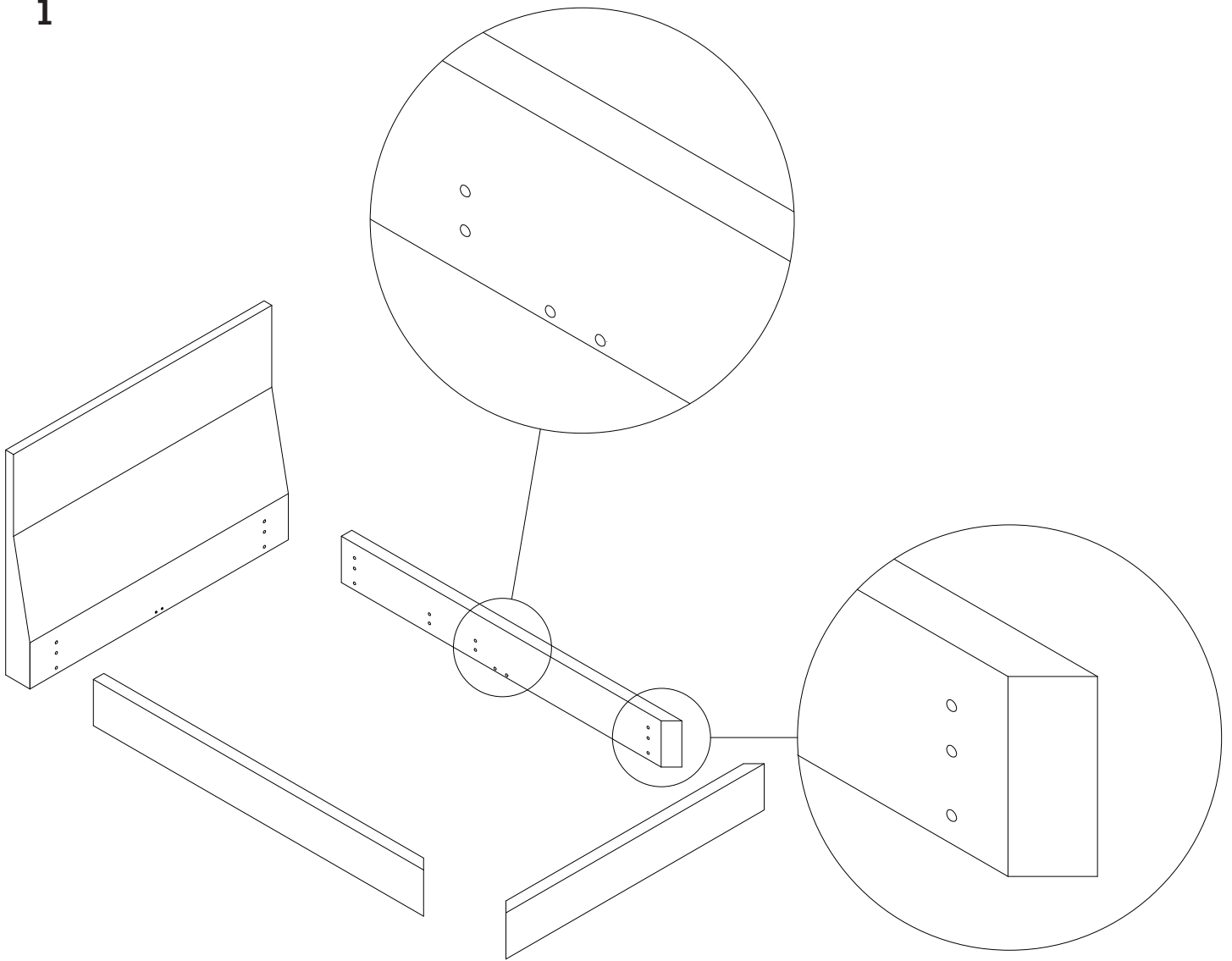
Hardware list

A M8 x 25  25mm x 24	B M8 x 20  20mm x 12	C M6 x 25  25mm x 8	D Nut-cap  x 4	E M8 x 50  50mm x 6
F M8 Nut self lock  x 6	G Ø4 x 25 Stud  x 10	H Chicago screw set  x 8	I Plastic cap  x 6	J Plastic foot  x 4

Above are the numbers of hardware you need to complete the Everest bed.

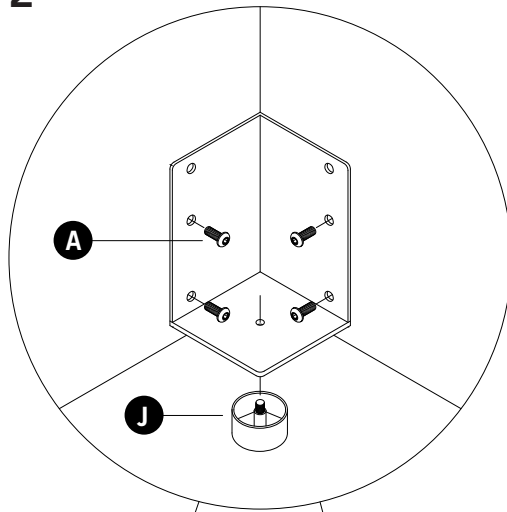
Headboard & rails

1

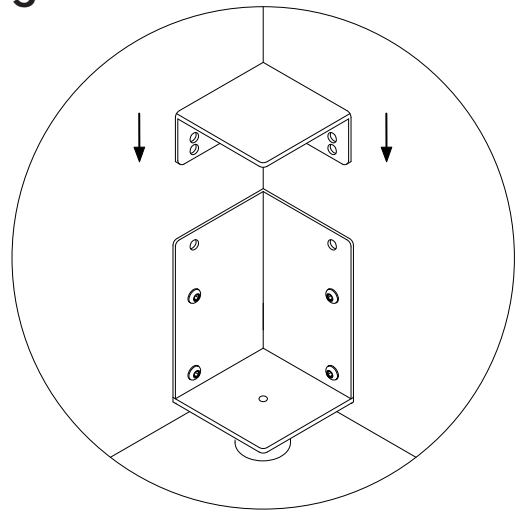


Corner brackets

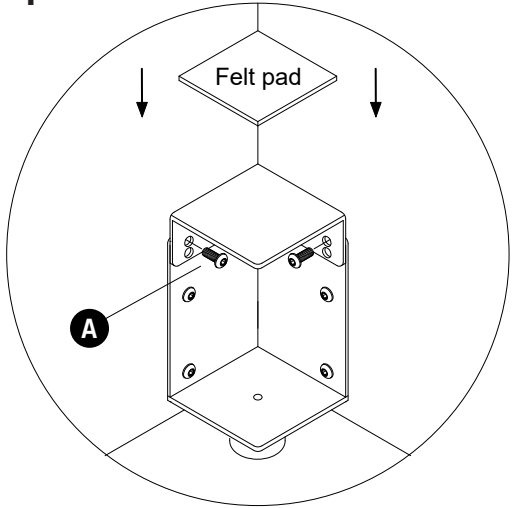
2



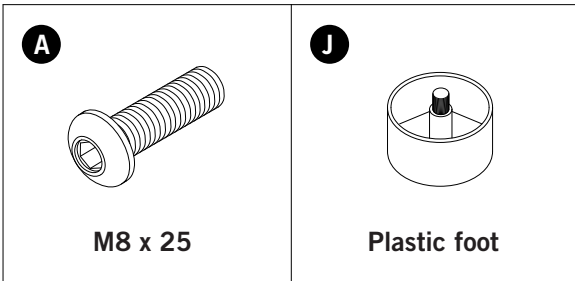
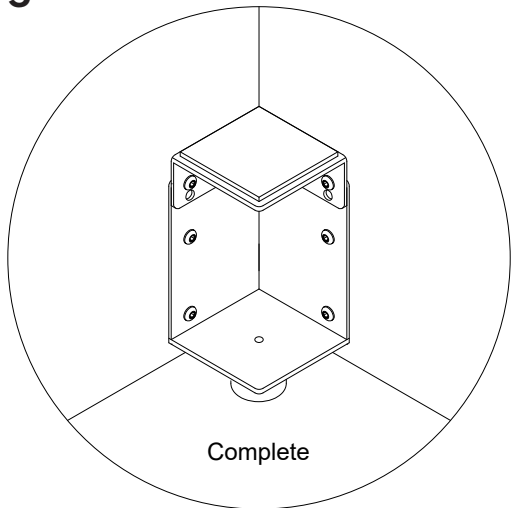
3



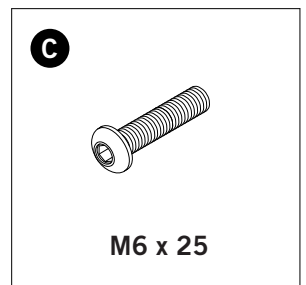
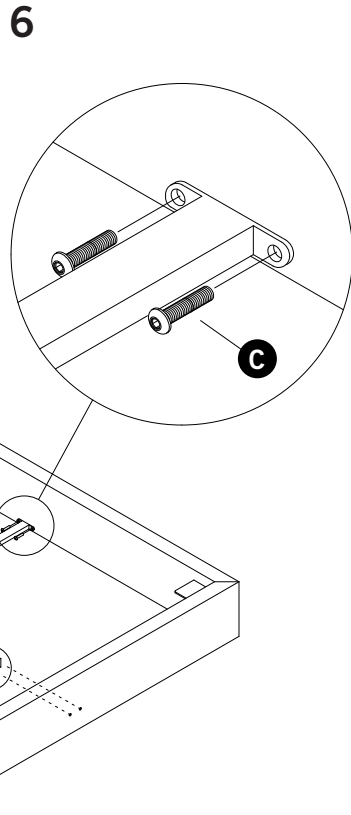
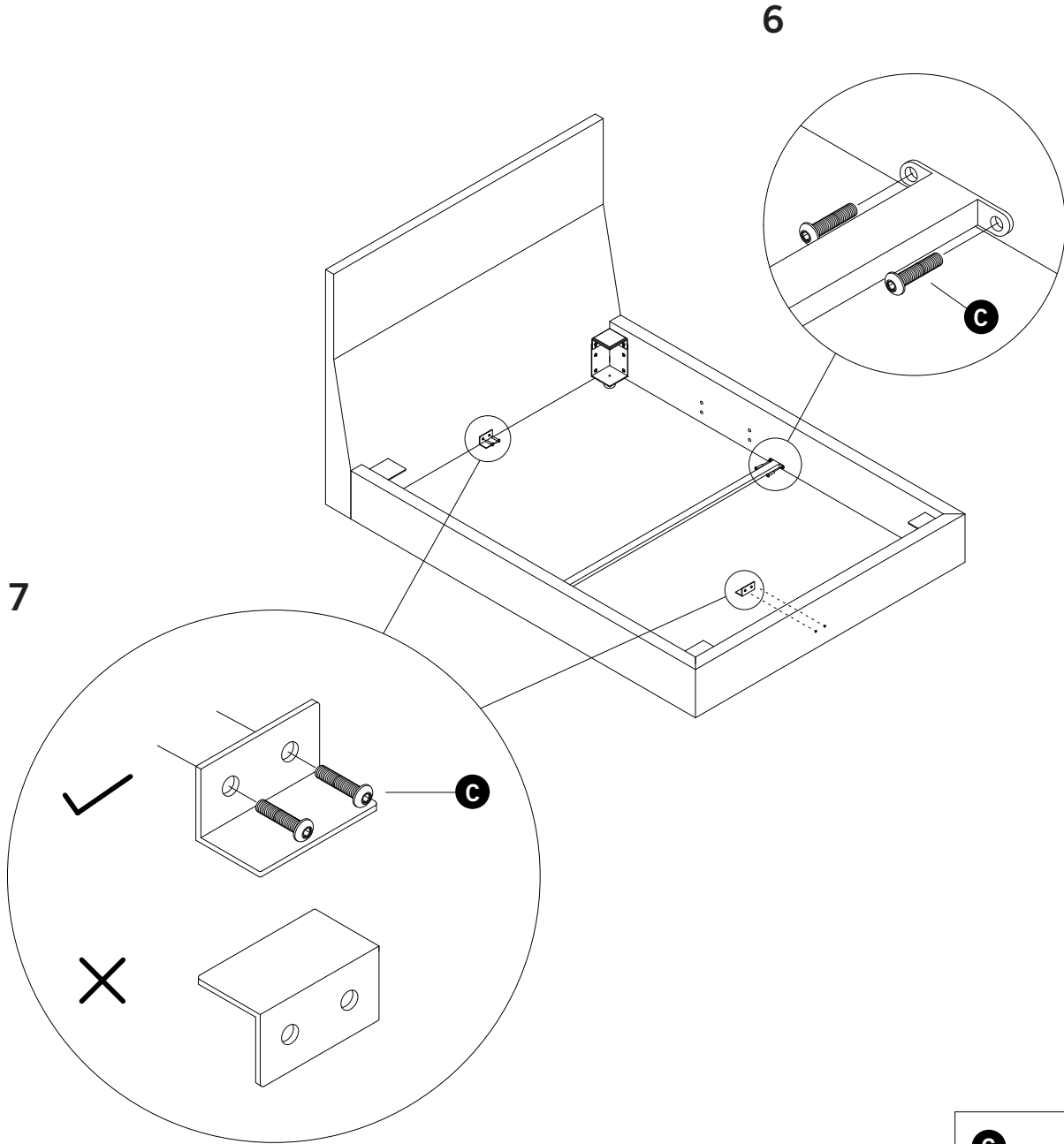
4



5

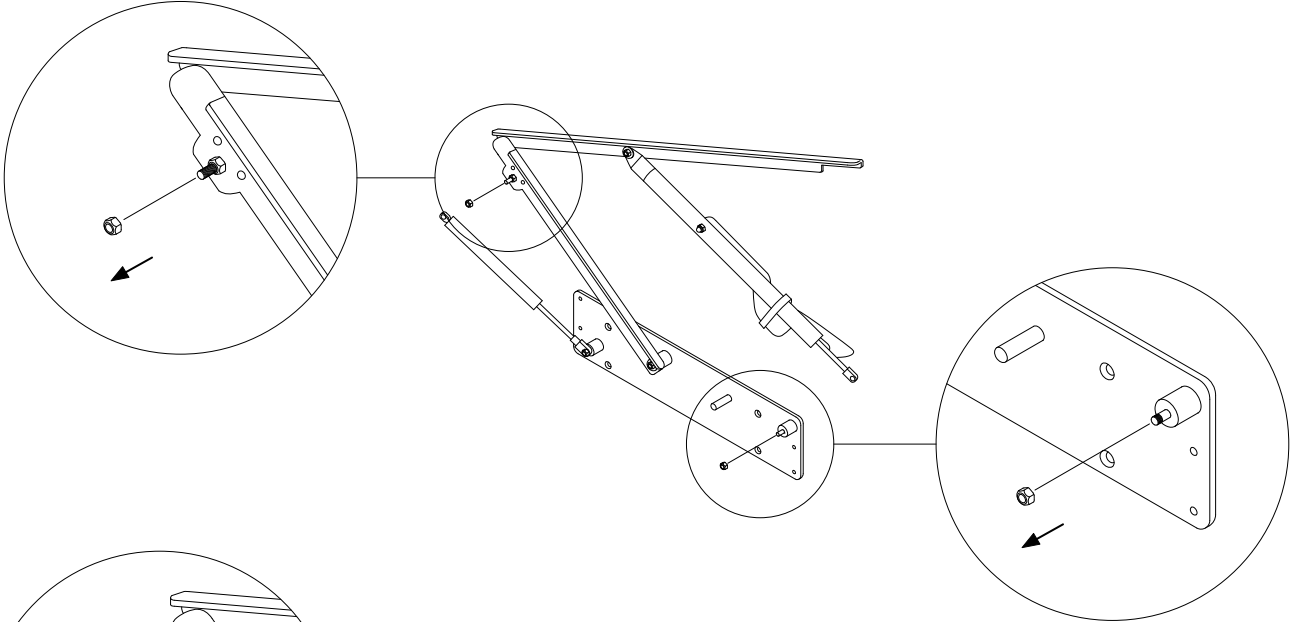


Supporting bar and brackets for storage panels

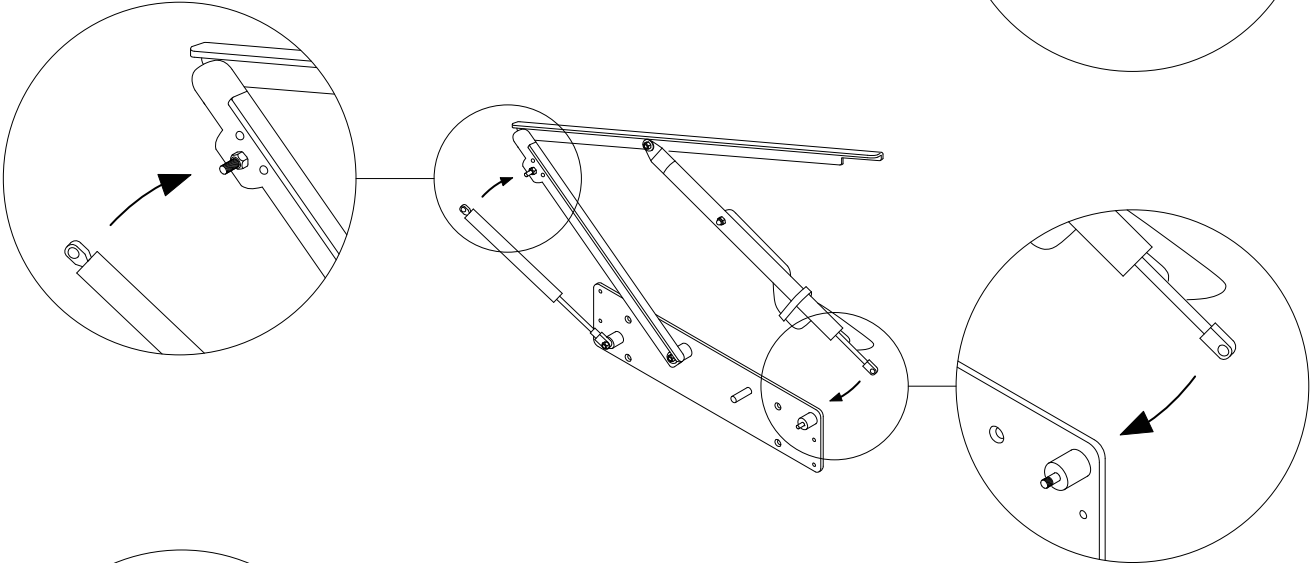


Assemble lift-up mechanism

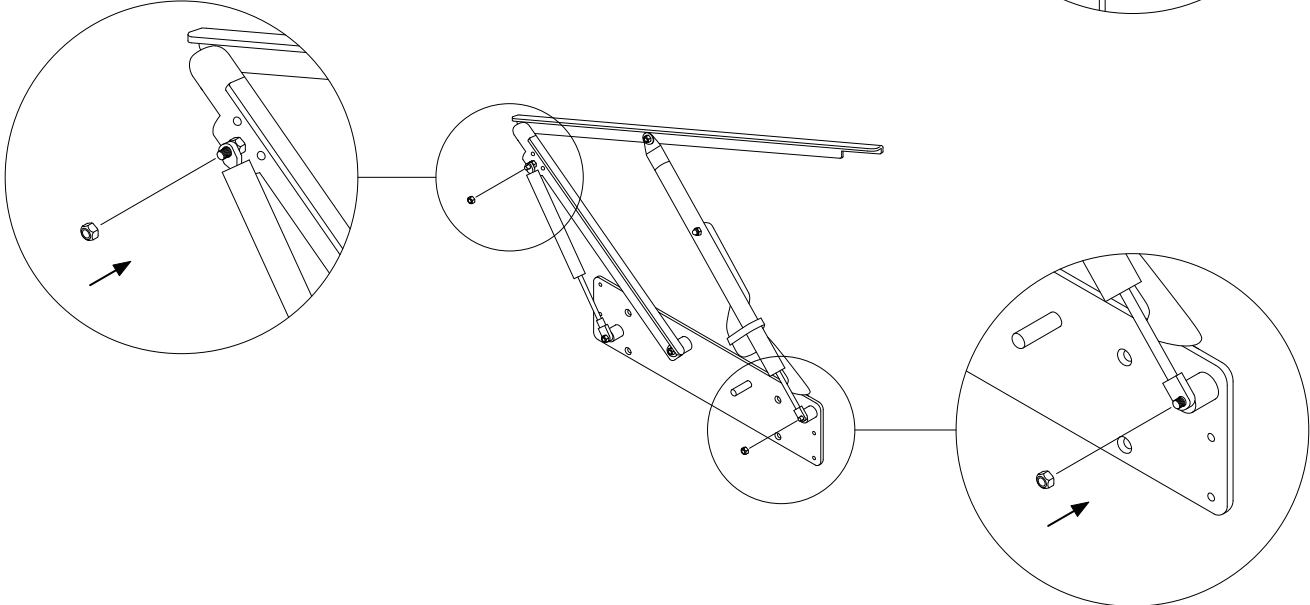
8



9

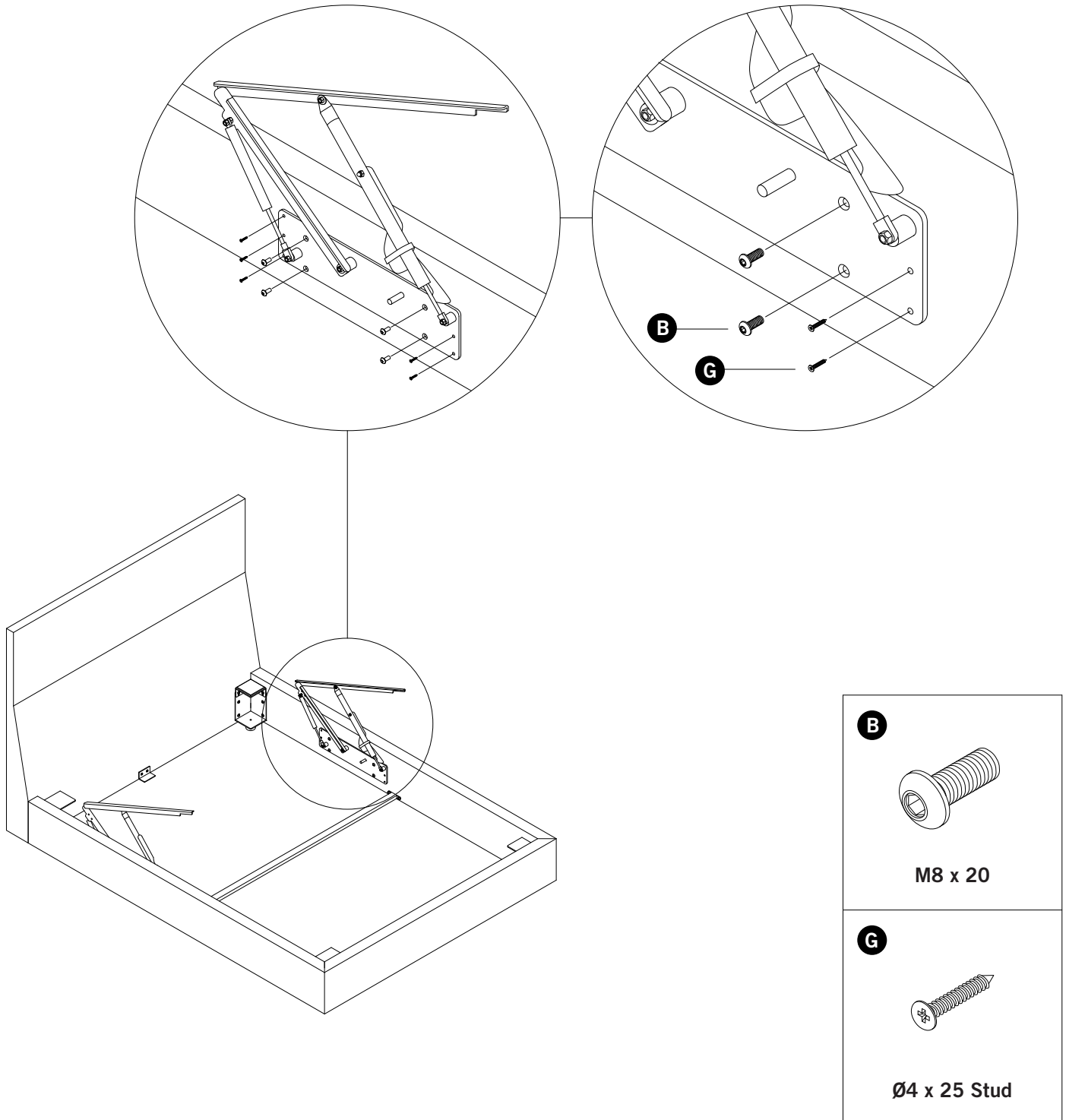


10



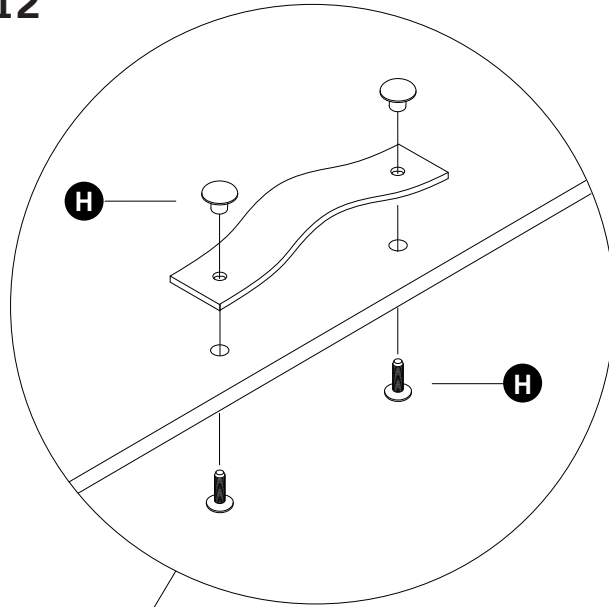
Install lift-up mechanism

11

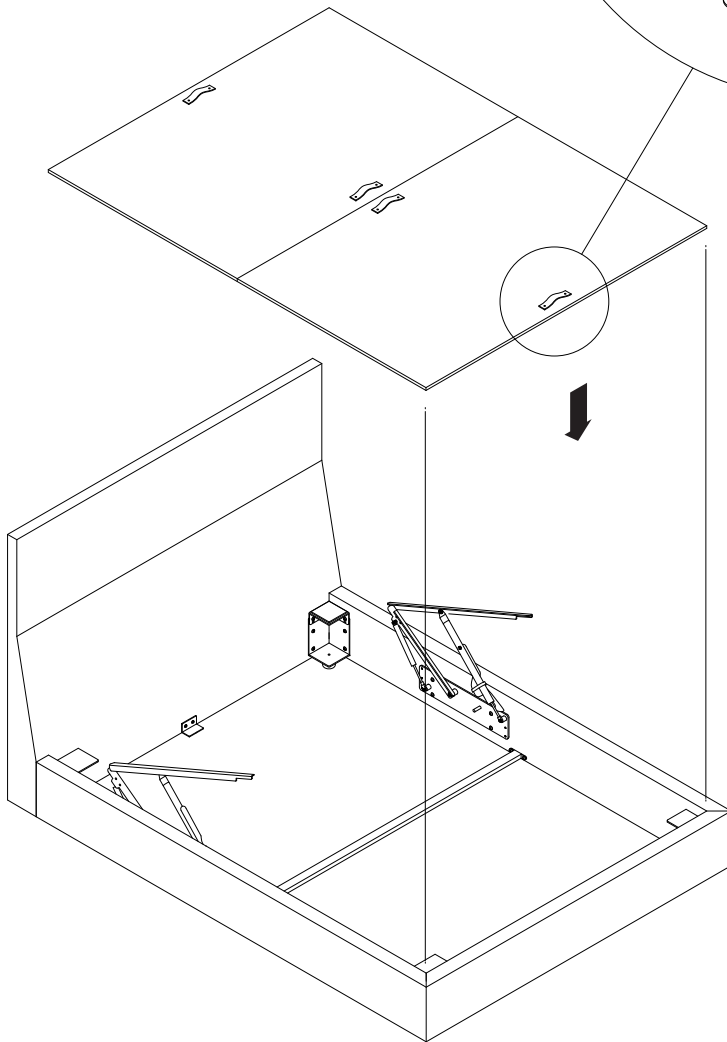


Storage base panels & leather handles

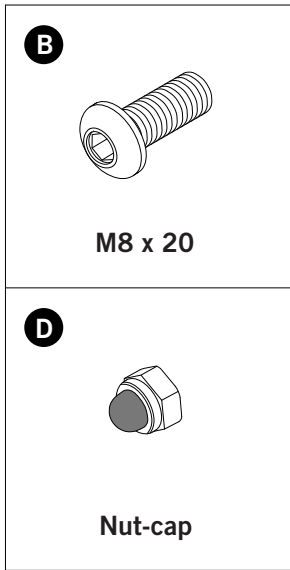
12



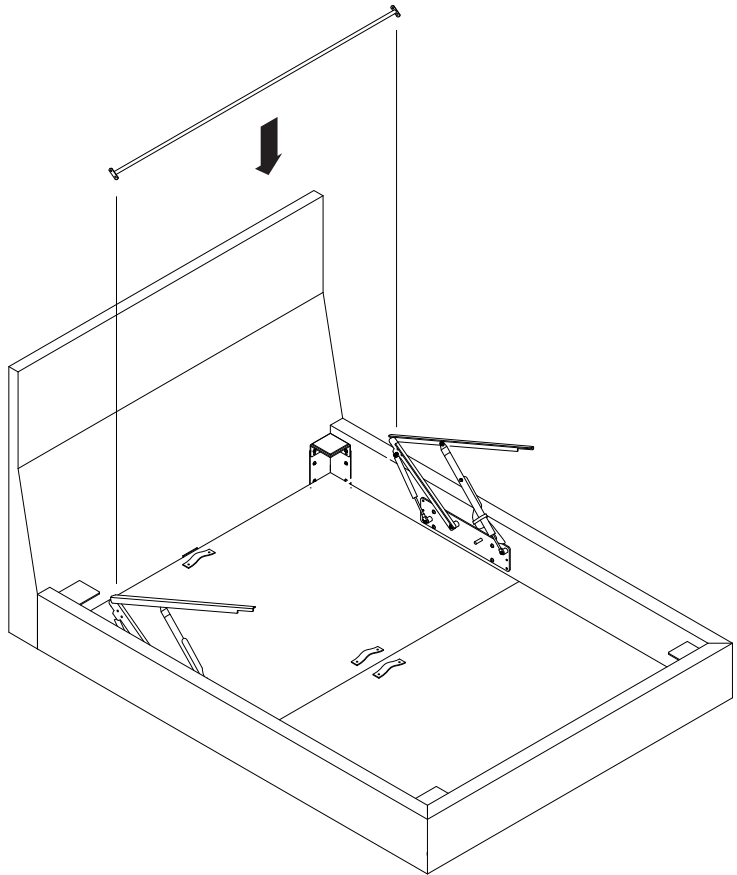
13



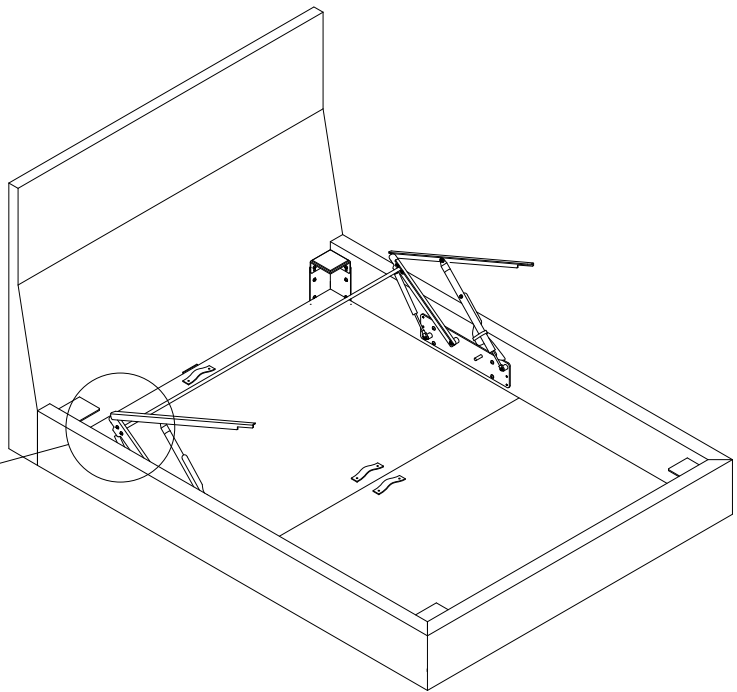
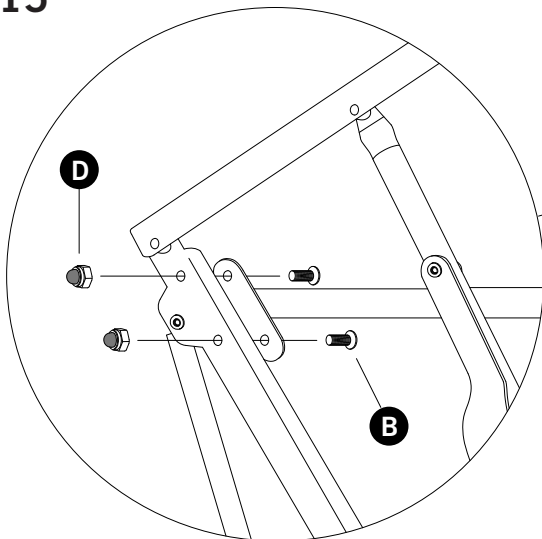
Join the lift-up mechanisms with a torsion bar



14

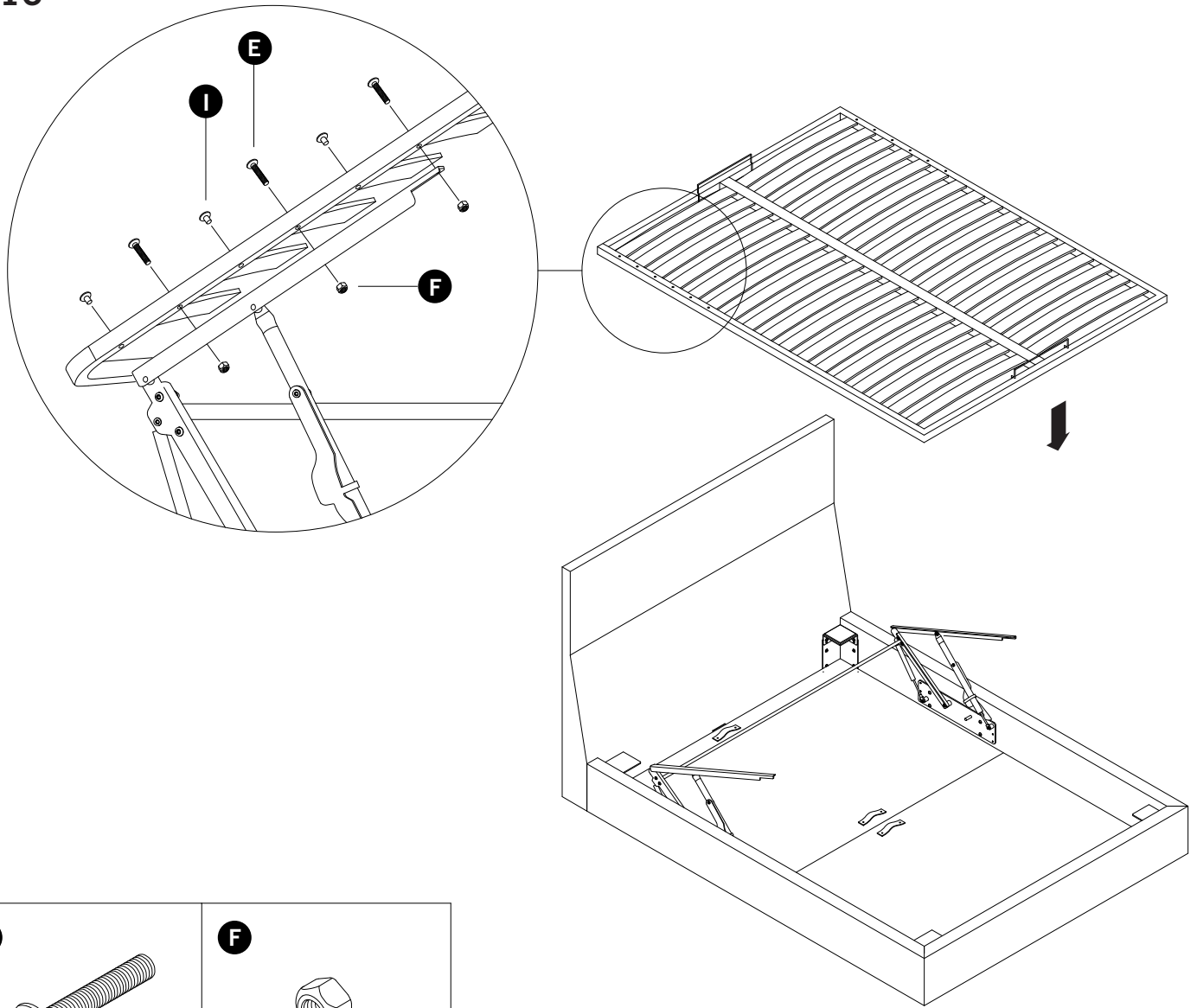


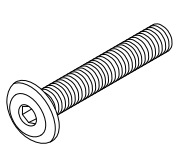
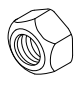
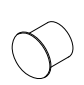
15



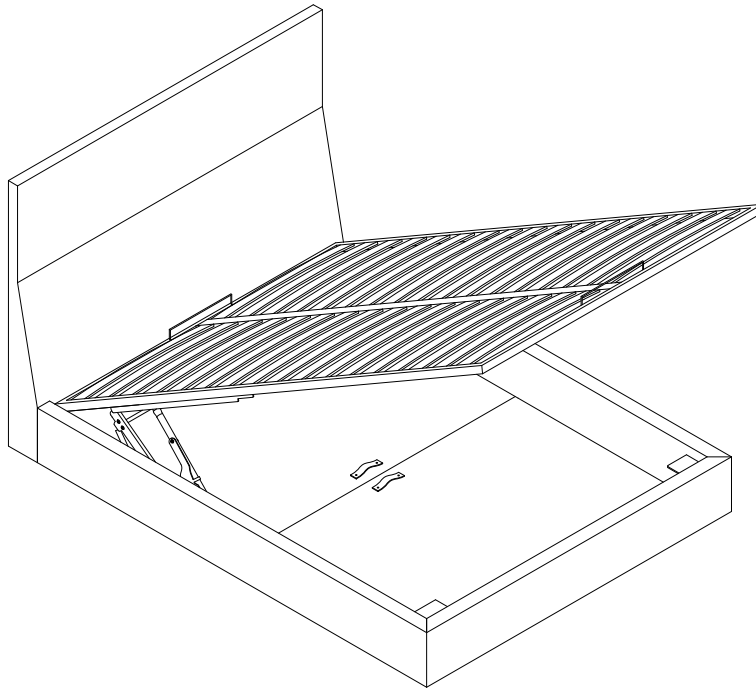
Join the lift-up mechanisms with slat platform

16

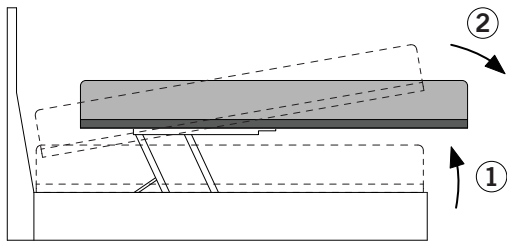


 <p>E</p> <p>M8 x 50</p>	 <p>F</p> <p>M8 Nut self lock</p>
 <p>I</p> <p>Plastic cap</p>	

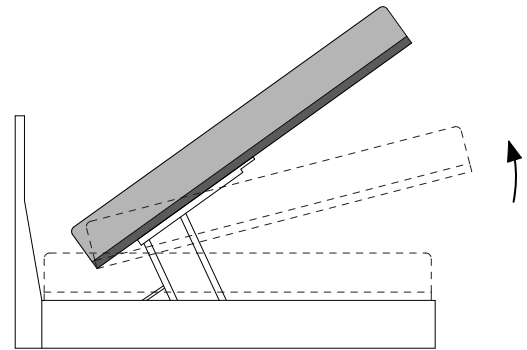
Complete



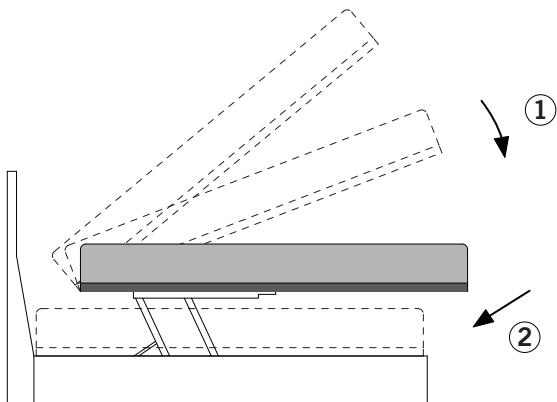
Bed positions



Bedding position



Open storage



Closing