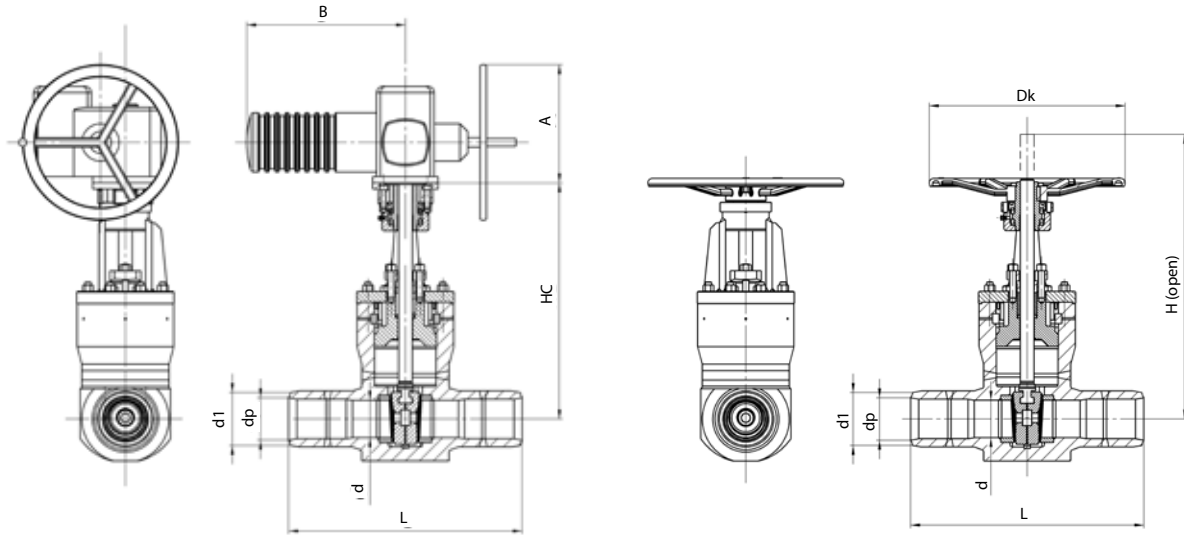


Forged gate valves with pressure bonnet Type S43.5

DN 65-400 • PN 160-400 • Tmax 650 °C (450 °C)
 Body design: forged body, pressure seal bonnet
 Rising stem

Connection:

- ☉ EN 12627 WELDED ENDS
- ☼ EN 1092-1 FLANGED ENDS (on request)



Material acc. to EN

Component	Tmax 450 °C	Tmax 530 °C	Tmax 570 °C	Tmax 570 °C	Tmax 600 °C	Tmax 450 °C	Tmax 650 °C
Body	P250GH (1.0460)	16Mo3 (1.5415)	13CrMo4-5 (1.7335)	14MoV6-3 (1.7715)	11CrMo9-10 (1.7383)	15NiCuMoNb5-6-4 (1.6368)	X10CrMoVNb9-1 (1.4903)
Pressure seal bonnet	1.0460	1.5415	1.7335	1.7715	1.7380	1.6368	1.4903
Wedge + overlay	1.0460 + Stellite	1.5415 + Stellite	1.7335 + Stellite	1.7715 + Stellite	1.7380 + Stellite	1.6368 + Stellite	1.4903 + Stellite
Seat + overlay	1.0460 + Stellite	1.5415 + Stellite	1.7335 + Stellite	1.7715 + Stellite	1.7380 + Stellite	1.6368 + Stellite	1.4903 + Stellite
Stem	X22CrMoV12-1 (1.4923)						
Stem nut	Bronze 42 3046						
Segmented ring	1.7715					1.6368	1.4903
Gasket	Pressed graphite						
Packing	Pressed graphite						

PN 160-400

DN/d	d1*	dp	L *	HC	kg operation free	Top flange	H (open)	Dk	kg with handwheel
65/50	77	Acc. to order	360	425	47, 49	F10, F14	490	400	48
80/75	90		450	550	105	F14	640	400	105
100/75	115		450	550	107	F14	640	400	106
125/110	141		500	696	244	F14	850	500	250
150/110	170		550	696	255, 262	F14, F16	850	500	254
175/125	180		650	769	317, 325	F14, F16	920	630	326
175/150	196		650	840	361, 372	F14, F16	1000	630	380
200/150	222		650	840	437, 448	F14, F16	1000	630	456
225/175	248		650	900	511, 590	F16, F25	1080	800	528
250/200	276		800	1120	850, 880	F16, F25	1300	800	840
250/225	303		900	1160	1140	F25	1350	F25	1150
300/225	325		900	1160	1170	F25	1350	F25	1180
300/250	325		1000	1330	1500, 1530	F25, F30	1540	F25, F30	1500
350/275	359		1000	1380	1700	F30	1680	F30	1700
400/300	411		1200	1550	2050	F30	1840	F30	2050
500/400	516		1350	1950	4500	F35		F35	
600/500 PN 250	619	1473	2115	6010	F40		F40		
600/550 PN 160	619	1473	2246	6440	F40		F40		

* Dimensions d1 and L can be adjusted acc. to customer request.
 Dimensions A and B depend on the particular actuator type.