

Fabricated gate valves

Type S33.4

DN 500-2000 • PN 2,5-25 • Tmax 300°C

Body design: yoke gate valve

Body, bonnet, wedge: fully welded

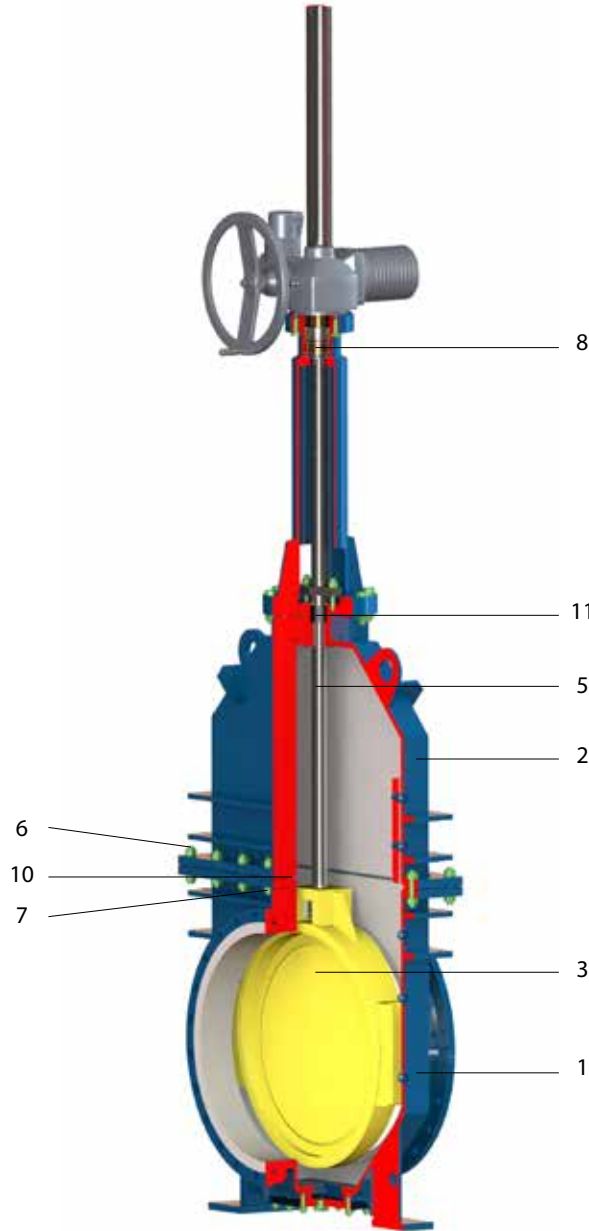
Rising stem

Solid / flexible wedge

Connection:

☉ EN 1092-1 FLANGED ENDS

☼ EN 12627 WELDED ENDS



Material

Position	Component	Carbon steel	Alloy steel	Carbon steel for low temperatures	Stainless steel
1	Body + overlay	1.0425 + 13Cr	1.5415 + 13Cr	1.0566 + 13Cr	1.4401
2	Bonnet	1.0425	1.5415	1.0566	1.4401
3	Wedge + overlay	1.0425 + 13Cr	1.5415 + 13Cr	1.0566 + 13Cr	1.4401 + 17Cr
5	Stem		1.4021 / 1.4923		1.4057
6	Bonnet bolts*	1.7218 / A193 B7	1.7709 / A193 B16	1.7225 / A320 L7	1.4401 / A193 B8
7	Bonnet nuts*	1.1191 / A194 2H	1.7709 / A194 4	1.7225 / A194 7	1.4401 / A194 8
8	Stem nut	42 3046 (Al-bronze) / A439 D2 (Ni-rezist)			
10	Gasket	Graphite with stainless steel insert			
11	Packing	Braided graphite cord + formed graphite rings			

* Other TRIMs according to API 600

** Equivalent or according to customer's request

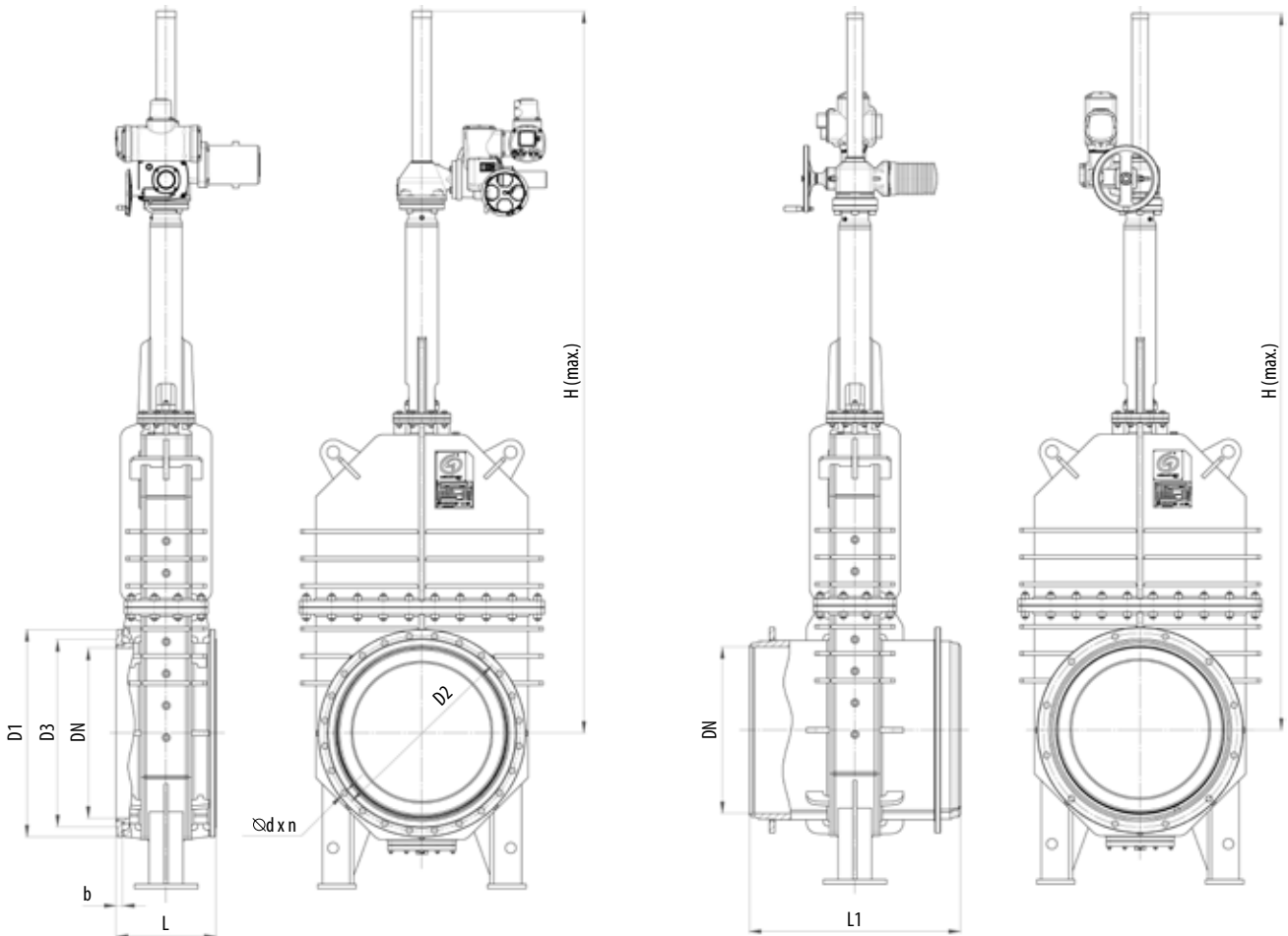
Fabricated gate valves

Type S33.4

DN 500-2000 • PN 2,5-25 • Tmax 400 °C (530 °C)
 Body design: yoke gate valve

Connection:

- ☉ EN 1092-1 FLANGED ENDS
- ☼ EN 12627 WELDED ENDS



PN 2,5

DN	D1	D2	D3	L	H (max.)*	b	d x n	kg	BW	
									L1	kg
500	645	600	570	350	2 450	30	22 x 20	850	700	990
600	755	705	670	390	2 850	30	26 x 20	1 040	800	1 190
700	860	810	775	430	3 250	30	26 x 24	1 250	900	1 490
800	975	920	880	470	3 650	30	30 x 24	1 540	1 000	1 890
900	1 075	1 020	980	510	4 050	30	30 x 24	1 990	1 100	2 150
1000	1 175	1 120	1 080	550	4 300	32	30 x 28	2 350	1 200	3 200
1200	1 375	1 320	1 280	630	5 100	35	30 x 32	3 250	1 400	4 090
1400	1 575	1 520	1 480	710	5 800	40	30 x 36	4 090	-	-
1600	1 790	1 730	1 690	790	6 600	45	30 x 40	5 300	-	-
1800	1 990	1 930	1 890	870	7 500	50	30 x 44	7 050	-	-
2000	2 190	2 130	2 090	950	8 200	55	30 x 48	9 500	-	-

Fabricated gate valves

Type S33.4

DN 500-2000 • PN 2,5-25 • Tmax 400 °C (530 °C)

Body design: yoke gate valve

Connection:

☉ EN 1092-1 FLANGED ENDS

☼ EN 12627 WELDED ENDS

PN 6

DN	D1	D2	D3	L	H (max.)*	b	d x n	kg	BW	
									L1	kg
500	645	600	570	350	2 450	30	22 x 20	850	700	990
600	755	705	670	390	2 850	30	26 x 20	1 040	800	1 150
700	860	810	775	430	3 250	30	26 x 24	1 250	900	1 490
800	975	920	880	470	3 650	30	30 x 24	1 540	1 000	1 890
900	1 075	1 020	980	510	4 050	30	30 x 24	1 990	1 100	2 150
1000	1 175	1 120	1 080	550	4 300	38	30 x 28	2 690	1 200	3 500
1200	1 405	1 340	1 295	630	5 100	45	33 x 32	3 500	1 400	4 390
1400	1 630	1 560	1 510	710	5 800	50	36 x 36	4 590	-	-
1600	1 830	1 760	1 710	790	6 600	50	36 x 40	6 200	-	-
1800	2 045	1 970	1 920	870	7 500	65	39 x 44	8 100	-	-
2000	2 265	2 180	2 125	950	8 200	80	42 x 48	10 190	-	-

PN 10

DN	D1	D2	D3	L	H (max.)*	b	d x n	kg	BW	
									L1	kg
500	670	620	585	700	2 450	30	26 x 20	1 050	700	1 010
600	780	725	685	800	2 850	35	30 x 20	1 250	800	1 190
700	895	840	800	900	3 300	40	30 x 24	1 890	900	2 750
800	1 015	950	905	1 000	3 700	45	33 x 24	2 400	1 000	2 120
900	1 115	1 050	1 005	1 100	4 100	50	33 x 28	3 090	1 100	2 790
1000	1 230	1 160	1 110	1 200	4 350	60	36 x 28	4 100	1 200	3 800
1200	1 455	1 380	1 330	1 400	5 200	75	39 x 32	5 300	1 400	4 950
1400	1 675	1 590	1 535	-	5 900	90	42 x 36	-	-	-
1600	1 915	1 820	1 760	-	6 700	100	48 x 40	-	-	-

PN 16

DN	D1	D2	D3	L	H (max.)*	b	d x n	kg	BW	
									L1	kg
500	715	650	610	700	2 500	45	33 x 20	1 190	700	1 100
600	840	770	725	800	2 900	50	36 x 20	1 390	800	1 290
700	910	840	795	900	3 400	55	36 x 24	2 250	900	2 050
800	1 025	950	900	1 000	3 750	65	39 x 24	3 090	1 000	2 690
900	1 125	1 050	1 000	1 100	4 150	70	39 x 28	4 050	1 100	3 700
1000	1 255	1 170	1 115	1 200	4 400	85	42 x 28	5 190	1 200	4 780
1200	1 485	1 390	1 330	1 400	5 300	105	48 x 32	6 850	1 400	7 390

PN 25

DN	D1	D2	D3	L	H (max.)*	b	d x n	kg	BW	
									L1	kg
500	730	660	615	700	2 500	60	36 x 20	1 250	700	1 190
600	845	770	720	800	2 900	70	39 x 20	1 480	800	1 390
700	960	875	820	900	3 400	80	42 x 24	2 400	900	2 250
800	1 085	990	930	1 000	3 750	95	48 x 24	3 600	1 000	3 200
900	1 185	1 090	1 030	1 100	4 150	105	48 x 28	4 500	1 100	4 000
1000	1 320	1 210	1 140	1 200	4 400	120	56 x 28	5 790	1 200	5 150
1200	-	-	1 350	1 400	5 300	-	-	-	1 400	7 790

* H (max.) - Maximum height in standard operation design