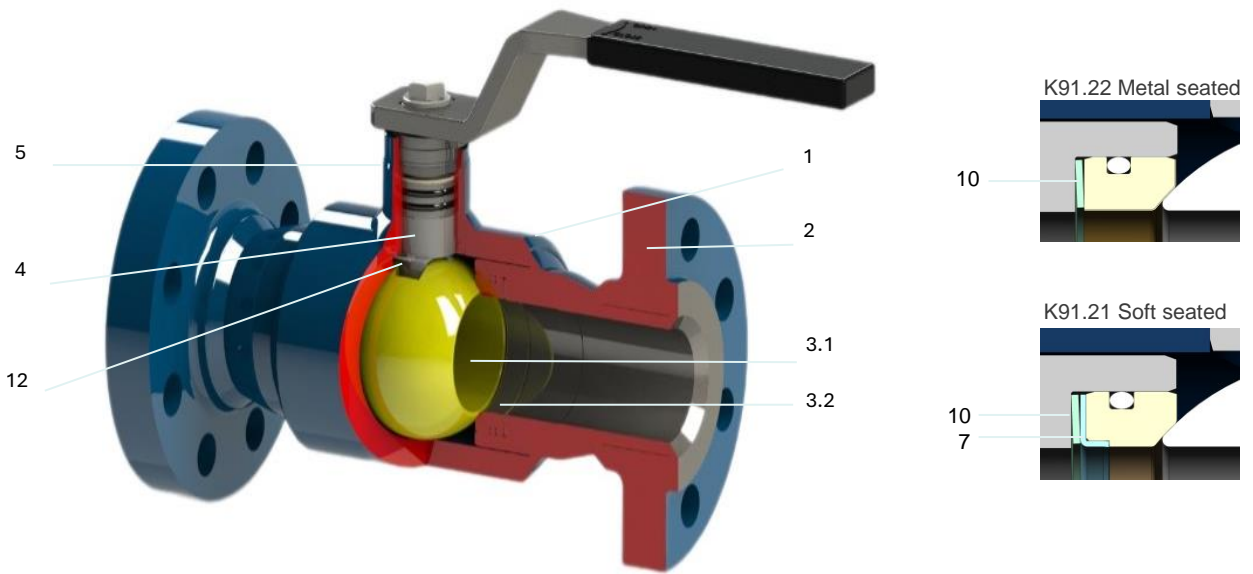


Ball valves with floating ball

Type K91.22

DN 20-50 PN 16-160
 NPS ¾"-2" Class 150-900
 Tmax: 200 °C
 Design: fabricated

Connection:
 EN 1092-1, ASME B16.5 FLANGED ENDS
 EN 12627, ASME B16.25 WELDED ENDS
 ASME B16.11 SOCKED WELD



Material

Position	Part	Material Metal to metal K91.22	Material Soft seated K91.21
1	Body	P355 KV -46°C/27J	
2	Cover	P355 KV -46°C/27J	
3.1	Ball	1.4462+0,15TCC	1.4462
3.2	Seat		TecaPeek
4	Stem	1.4542 (P800) - X5CrNiCvNb16	
5	Flange	P355 KV -46°C/27J	
7	Support plate	-	SS
10	Spring	SS	
12	Antistatic	SS	
-	O-rings	Viton GLT	
-	Seal	GRAPHITE	

*full pressure over the whole temperature range

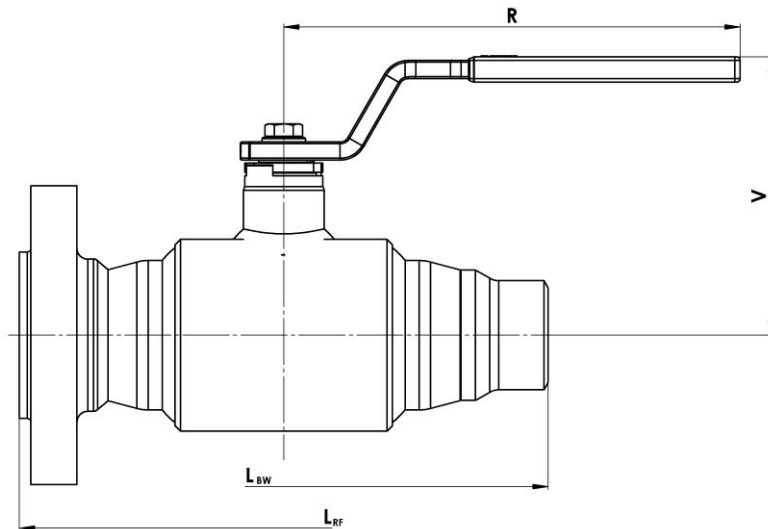


Ball valves with floating ball

Type K91.22

DN 20-50 PN 16-160
 NPS ¾"-2" Class 150-900
 Tmax: 200 °C
 Design: fabricated

Connection:
 EN 1092-1, ASME B16.5 FLANGED ENDS
 EN 12627, ASME B16.25 WELDED ENDS
 ASME B16.11 SOCKED WELD



PN 16-40

DN	L		V	Lever		~kg	
	L _{RF}	L _{BW}		R	RF	BW	
20	152	254	108	176	4,1	3	
25	165	254	108	176	4,6	3	
32	178	305	146	252	8,5	8	
40	190	305	146	252	9,2	8	
50	216	292	154	252	13,6	11	

PN 63-100

DN	L		V	Lever		~kg	
	L _{RF}	LBW		R	RF	BW	
20	190	254	108	176	6,1	3	
25	216	254	108	176	7,4	3	
32	229	305	146	252	11,5	8	
40	241	305	146	252	13,5	8	
50	292	292	154	252	20	11	

PN 160

DN	L		V	Lever		~kg	
	L _{RF}	L _{BW}		R	RF	BW	
25	254	254	108	176	6,8	3	
40	305	305	146	252	15	8	

Ball valves with floating ball

Type K91.22

DN 20-50 PN 16-160
 NPS 3/4"-2" Class 150-900
 Tmax: 200 °C
 Design: fabricated

Connection:
 EN 1092-1, ASME B16.5 FLANGED ENDS
 EN 12627, ASME B16.25 WELDED ENDS
 ASME B16.11 SOCKED WELD

Class 150

DN	L		V	Lever	~kg	
	L _{RF}	L _{BW}		R	RF	BW
3/4"	152	254	108	176	3,3	3
1"	165	254	108	176	3,9	3
1 1/4"	178	305	146	252	7,3	8
1 1/2"	190	305	146	252	8,2	8
2"	216	292	154	252	12,6	11

Class 300

DN	L		V	Lever	~kg	
	L _{RF}	L _{BW}		R	RF	BW
3/4"	152	254	108	176	4,3	3
1"	165	254	108	176	4,7	3
1 1/4"	178	305	146	252	8,3	8
1 1/2"	190	305	146	252	10,2	8
2"	216	292	154	252	13,9	11

Class 600

DN	L		V	Lever	~kg	
	L _{RF}	L _{BW}		R	RF	BW
3/4"	190	254	108	176	4,6	3
1"	216	254	108	176	5,4	3
1 1/4"	229	305	146	252	9,9	8
1 1/2"	241	305	146	252	12	8
2"	292	292	154	252	17,5	11

Class 900

DN	L		V	Lever	~kg	
	L _{RF}	L _{BW}		R	RF	BW
3/4"	229	254	108	176	7	3
1"	254	254	108	176	9,3	3
1 1/4"	279	305	146	252	14,3	8
1 1/2"	305	305	146	252	17,7	8

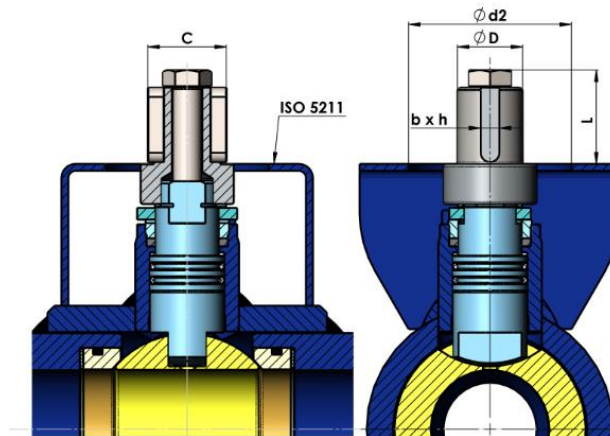


Ball valves with floating ball

Type K91.22

DN 20-50 PN 16-160
 NPS 3/4"-2" Class 150-900
 Tmax: 200 °C
 Design: fabricated

Connection:
 EN 1092-1, ASME B16.5 FLANGED ENDS
 EN 12627, ASME B16.25 WELDED ENDS
 ASME B16.11 SOCKED WELD



ISO 5211 connection

DN (NPS)	ISO 5211	ØD (h9)	L (+1)	Ød2 (+0,2)	key b x h	c
20 (3/4")	F05	18	28	35	6x6	23
25 (1")	F05	18	28	35	6x6	23
32 (1 1/4")	F10	28	39	70	8x7	33,8
40 (1 1/2")	F10	28	39	70	8x7	33,8
50 (2")	F10	28	39	70	8x7	33,8

Other possibilities

