

Cast gate valves

Type S33.2

DN 50-600 • PN 6-16 • Tmax 450 °C (550 °C)

Body design: yoke gate valve

Body, bonnet, wedge: cast

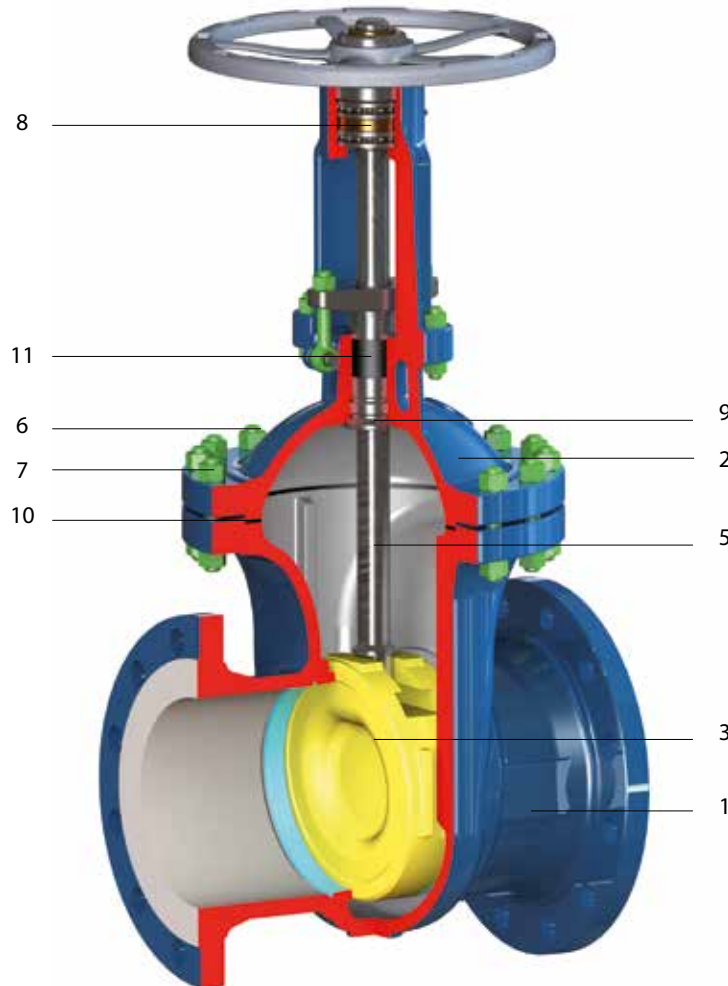
Rising stem

Solid wedge

Connection:

☉ EN 1092-1 FLANGED ENDS

☼ EN 12627 WELDED ENDS



Material

Position	Component	Carbon steel	Stainless steel
1	Body + overlay	1.0619 / A216 WCB + 13Cr	1.4408 / A351 CF8M
2	Bonnet	1.0619 / A216 WCB	1.4408 / A351 CF8M
3	Wedge + overlay	1.0619 / A216 WCB + 13Cr	1.4408 / A351 CF8M
5	Stem	1.4021 / A182 F6a	1.4401 / A182 F316
6	Bonnet bolts*	1.7218 / A193 B7	1.4401 / A193 B8
7	Bonnet nuts*	1.1191 / A194 2H	1.4401 / A194 8
8	Stem nut	Ni-rezist, Al-bronze	
9	Back seat	Overlay 13Cr / 1.4021 / A276 410T	Overlay F316 / 1.4401 / A182 F316
10	Gasket	Graphite with stainless steel insert	
11	Packing	Braided graphite cord + formed graphite rings	

* Other TRIMs according to API 600

** Equivalent or according to customer's request

Cast gate valves

Type S33.2

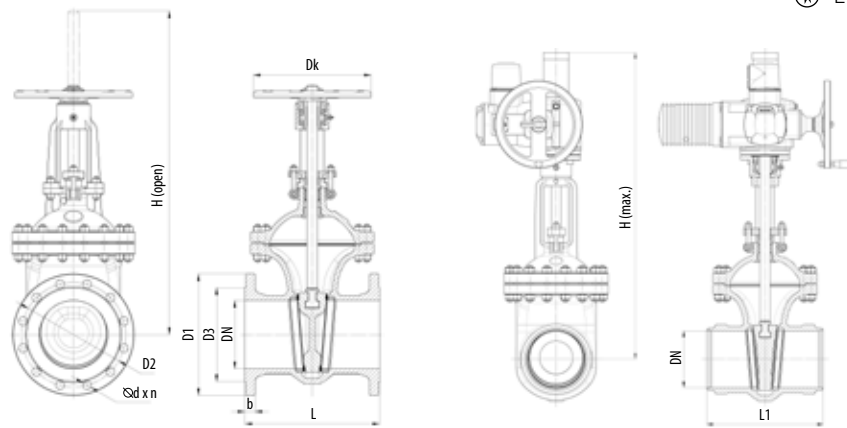
DN 50-600 • PN 6-16 • Tmax 450 °C (550 °C)

Body design: yoke gate valve

Connection:

☉ EN 1092-1 FLANGED ENDS

☼ EN 12627 WELDED ENDS



PN 6

DN	D1	D2	D3	L	H (open)	H (max.)*	Dk	b	d x n	kg	BW**	
											L1	kg
50	140	110	90	150	360	605	160	14	14 x 4	16	-	-
65	160	130	110	170	430	650	160	14	14 x 4	18	-	-
80	190	150	128	180	470	680	160	16	18 x 4	23	-	-
100	210	170	148	190	545	735	200	16	18 x 4	36	-	-
125	240	200	178	200	650	790	200	18	18 x 8	48	-	-
150	265	225	202	210	720	885	200	18	18 x 8	60	-	-
200	320	280	258	230	950	1060	250	20	18 x 8	97	-	-
250	375	335	312	250	1170	1240	320	22	18 x 12	166	-	-
300	440	395	365	270	1430	1500	400	22	22 x 12	210	-	-
350	490	445	415	290	1540	1565	450	22	22 x 12	345	-	-
400	540	495	465	310	1755	1800	500	22	22 x 16	480	-	-
500	645	600	570	350	2195	2230	500	24	22 x 20	645	-	-
600	755	705	670	390	2660	2740	600	30	26 x 20	895	-	-

PN 10

DN	D1	D2	D3	L	H (open)	H (max.)*	Dk	b	d x n	kg	BW**	
											L1	kg
50	165	125	102	150	360	605	200	18	18 x 4	17	-	-
65	185	145	122	170	430	650	200	18	18 x 8	19	-	-
80	200	160	138	180	470	680	250	20	18 x 8	25	-	-
100	220	180	158	190	545	735	280	20	18 x 8	36	-	-
125	250	210	188	200	650	790	300	22	18 x 8	52	-	-
150	285	240	212	210	720	885	300	22	22 x 8	62	-	-
200	340	295	268	230	950	1060	350	24	22 x 8	88	-	-
250	395	350	320	250	1170	1240	400	26	22 x 12	180	-	-
300	445	400	370	270	1430	1500	450	26	22 x 12	230	-	-
350	505	460	430	290	1630	1565	500	26	22 x 16	380	-	-
400	565	515	482	310	1755	1800	600	26	26 x 16	505	-	-
500	670	620	585	350	2195	2230	600	28	26 x 20	700	-	-
600	780	725	685	390	2660	2740	600	34	30 x 20	985	-	-

PN 16

DN	D1	D2	D3	L	H (open)	H (max.)*	Dk	b	d x n	kg	BW**	
											L1	kg
50	165	125	102	180	360	645	200	18	18 x 4	20	250	19
65	185	145	122	200	430	730	200	18	18 x 8	21	270	29
80	200	160	138	210	470	740	200	20	18 x 8	32	280	34
100	220	180	158	230	545	790	250	20	18 x 8	40	300	48
125	250	210	188	255	650	780	250	22	18 x 8	49	325	68
150	285	240	212	280	720	930	320	22	22 x 8	74	350	92
200	340	295	268	330	953	1060	400	24	22 x 12	117	400	155
250	405	355	320	450	1225	1295	450	26	26 x 12	210	450	240
300	460	410	378	500	1440	1510	500	28	26 x 12	300	500	355
350	520	470	438	550	1650	1675	600	30	26 x 16	510	550	450
400	580	525	490	600	1820	1865	600	32	30 x 16	670	600	630
500	715	650	610	700	2080	2110	700	44	33 x 20	930	700	990
600	840	770	725	800	2560	2640	800	54	36 x 20	1310	800	1500

*H(max.) - Maximum height in standard operation design

** Butt-weld ends with forged nipples on request. Butt-weld ends PN 16 on request.