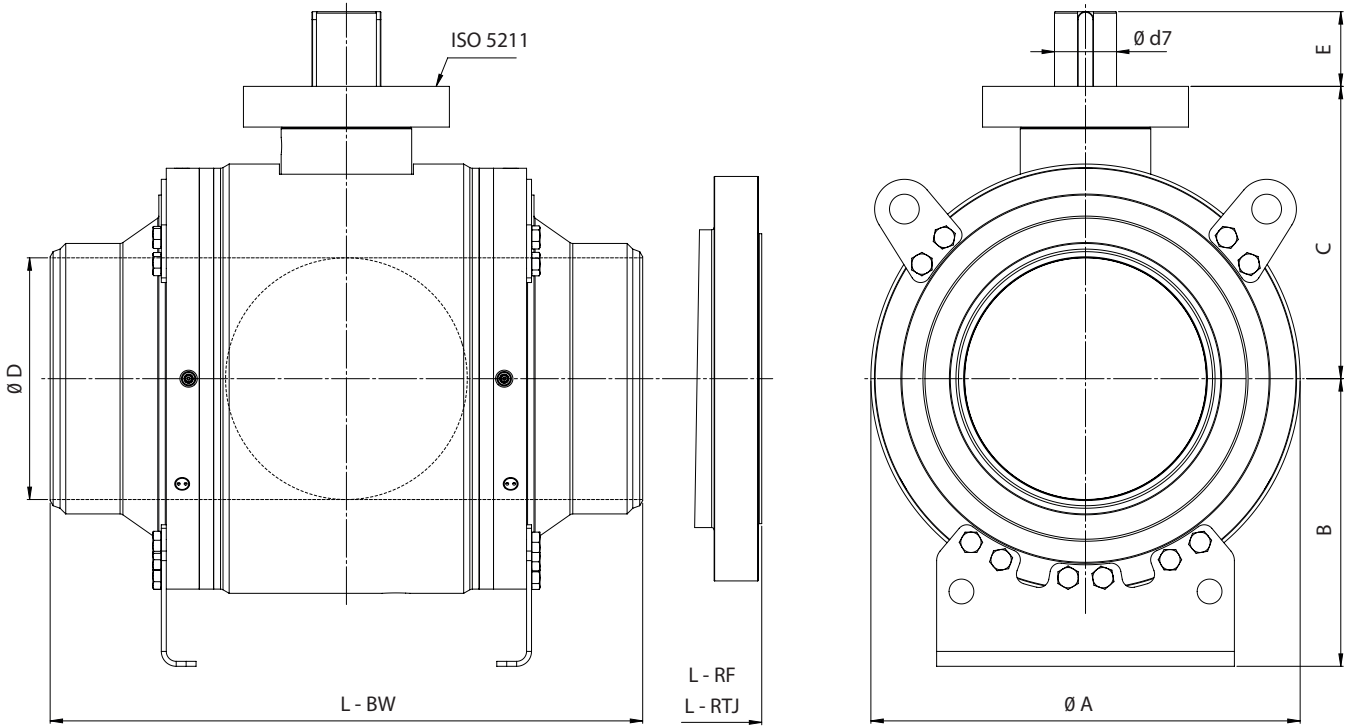




NPS 2"-56" • Class 150-2500 • DN 50-1400 • PN 16-400
 Tmax 220 °C
 Design: FULLY WELDED BODY

Connection: ASME B16.5, EN 1092-1 FLANGED ENDS
 ASME B16.25, EN 12 627 WELDED ENDS



If another face to face dimension is required, which is not stated in the charts then it is agreed mutually.
 B and C dimensions are informative only, final dimensions based on requested accessories.

Class 150-300 • PN 16-40

NPS / DN	Dimensions [mm]									ISO 5211	° kg	
	$\varnothing D$	L_{RF}	L_{BW}	L_{RTJ}	$\varnothing A$	B	C	E	$\varnothing d_7$		RF	BW
2" / 50	49	216	216	232	185	112	127	35	27	F10	28	22
3" / 80	74	283	356	298	238	110	180	50	36	F12	60	57
4" / 100	100	305	432	321	248	125	184	50	38	F12	82	75
6" / 150	150	457	559	419	340	250	259	64	48	F14	178	163
8" / 200	201	502	660	518	405	285	294	64	48	F14	297	298
10" / 250	252	568	787	584	480	340	350	77	58	F16	462	484
12" / 300	303	648	838	664	560	380	391	73	58	F16	662	657
14" / 350	334	762	889	778	630	425	425	90	75	F25	770	848
16" / 400	385	838	991	854	705	470	465	90	75	F25	1334	1250
18" / 450	438	914	1092	930	780	465	479	126	98	F30	1640	1834
20" / 500	487	991	1194	1010	865	575	538	120	98	F30	1960	2250
24" / 600	589	1143	1397	1165	1030	650	632	110	98	F30	2808	3685
28" / 700	684	1346	1549	1372	1180	684	717	151	125	F35	4120	4539
30" / 750	737	1397	1651	1422	1226	713	721	185	130	F40	5136	5850
32" / 800	781	1524	1778	1553	1325	763	775	185	130	F40	6230	7482
34" / 850	832	1626	1930	1654	1415	808	840	197	150	F40	7855	8650
36" / 900	876	1727	2083	1756	1500	900	849	225	150	F48	8966	9645
40" / 1000	978	1850	2000	-	1630	945	960	200	150	F40	10890	12024
42" / 1050	1022	1900	2100	-	1690	1040	1012	245	170	F40	13948	14497
48" / 1200	1168	2180	2100	-	1900	1160	1140	245	170	F48	17900	16750
56" / 1400	1362	2300	2250	-	2190	1280	1278	245	180	F48	23590	22415



NPS 2"-56" • Class 150-2500 • DN 50-1400 • PN 16-400
 Tmax 220 °C
 Design: FULLY WELDED BODY

Connection: ☉ ASME B16.5, EN 1092-1 FLANGED ENDS
 ☉ ASME B16.25, EN 12 627 WELDED ENDS

Class 400-600 • PN 63-100

NPS / DN	Dimensions [mm]									ISO 5211	° kg	
	øD	L _{RF}	L _{BW}	L _{RTJ}	øA	B	C	E	ød ₇		RF	BW
2" / 50	49	292	292	295	185	112	129	35	27	F10	33	28
3" / 80	74	356	356	359	238	119	180	50	36	F12	69	57
4" / 100	100	432	432	435	248	130	188	50	38	F12	97	74
6" / 150	150	559	559	562	340	250	259	64	48	F14	224	163
8" / 200	201	660	660	664	425	310	321	75	58	F16	339	304
10" / 250	252	787	787	791	500	340	362	90	75	F25	580	499
12" / 300	303	838	838	841	580	380	404	90	75	F25	864	672
14" / 350	334	889	889	892	630	415	449	120	98	F30	980	948
16" / 400	385	991	991	994	705	469	489	120	98	F30	1503	1271
18" / 450	438	1092	1092	1095	780	465	498	126	98	F30	1950	1850
20" / 500	487	1194	1194	1200	865	580	589	151	125	F35	2528	2320
24" / 600	589	1397	1397	1407	1030	610	672	151	125	F35	4095	3656
28" / 700	684	1549	1549	1562	1180	684	752	185	125	F40	5046	4776
30" / 750	737	1651	1651	1664	1265	758	792	185	130	F40	6783	5678
32" / 800	781	1778	1778	1794	1365	783	815	245	150	F40	8687	7780
34" / 850	832	1930	1930	1946	1460	830	863	245	150	F48	10295	9095
36" / 900	876	2083	2083	2099	1500	900	928	225	150	F48	10671	9680
40" / 1000	978	2000	2000	-	1630	980	995	235	180	F48	13855	11624
42" / 1050	1022	2100	2100	-	1725	1060	1013	265	180	F48	16178	14875
48" / 1200	1168	2400	2200	-	1930	1180	1148	265	180	F48	21180	19895
56" / 1400	1362	2540	2350	-	2240	1280	1318	241	200	F60	27320	25807

Class 900 • PN 160

NPS / DN	Dimensions [mm]									ISO 5211	° kg	
	øD	L _{RF}	L _{BW}	L _{RTJ}	øA	B	C	E	ød ₇		RF	BW
2" / 50	49	368	368	371	190	115	132	36	27	F12	58	40
3" / 80	74	381	381	384	238	119	180	50	36	F12	83	60
4" / 100	100	457	457	460	295	130	205	58	40	F14	147	123
6" / 150	150	610	610	613	350	255	276	73	58	F16	293	182
8" / 200	201	737	737	740	440	330	332	91	75	F25	489	395
10" / 250	252	838	838	841	512	376	357	91	75	F25	664	549
12" / 300	303	965	965	968	598	407	434	110	98	F30	990	820
14" / 350	324	1029	1029	1038	640	431	454	120	98	F30	1220	950
16" / 400	373	1130	1130	1140	734	487	471	120	98	F30	1610	1150
18" / 450	425	1219	1219	1232	808	524	509	130	98	F30	2600	2140
20" / 500	473	1321	1321	1334	892	560	599	150	125	F35	3480	2730
24" / 600	572	1549	1549	1568	1069	670	644	221	150	F40	5230	4310
28" / 700	665	1660	1600	1695	1220	725	776	200	150	F40	*	*
30" / 750	712	1880	1660	1902	1390	865	835	220	*	*	*	*
32" / 800	760	1850	1760	1885	1475	910	895	220	*	*	*	*
34" / 850	808	1950	1850	1992	1540	940	930	250	*	*	*	*
36" / 900	855	2286	1950	2315	1600	970	960	275	*	*	*	*
40" / 1000	956	1850	2000	-	1620	960	930	245	*	*	*	*
42" / 1050	1006	1900	2100	-	1690	965	1012	260	*	*	*	*
48" / 1200	1149	2400	2200	-	*	*	*	*	*	*	*	*
56" / 1400	1342	2540	2350	-	*	*	*	*	*	*	*	*

*These dimensions will be sent on request.



NPS 2"-56" • Class 150-2500 • DN 50-1400 • PN 16-400
 Tmax 220 °C
 Design: FULLY WELDED BODY

Connection: ASME B16.5, EN 1092-1 FLANGED ENDS
 ASME B16.25, EN 12 627 WELDED ENDS

Class 1500 • PN 250

NPS / DN	Dimensions [mm]									ISO 5211	° kg	
	øD	L _{RF}	L _{BW}	L _{RTJ}	øA	B	C	E	ød _r		RF	BW
2" / 50	49	368	368	371	190	115	134	36	27	F12	58	40
3" / 80	74	470	470	473	252	126	198	64	48	F14	115	88
4" / 100	100	546	546	549	280	140	215	58	40	F16	180	160
6" / 150	146	705	705	711	425	333	300	73	58	F16	400	330
8" / 200	194	832	832	841	536	388	350	96	75	F25	735	615
10" / 250	241	991	991	1000	652	446	427	96	75	F25	1120	925
12" / 300	289	1130	1130	1146	766	503	470	110	98	F30	1550	1131
14" / 350	318	1257	1257	1276	868	569	522	110	98	F30	1915	1600
16" / 400	362	1384	1384	1407	988	629	598	187	130	F35	2350	1950
18" / 450	407	1537	1537	1559	1090	680	650	185	125	F35	3300	2750
20" / 500	454	1664	1664	1686	1180	725	692	185	125	F35	4455	3715
24" / 600	546	1943	1943	1972	1415	858	817	260	170	F40	6660	5540

Class 2500 • PN 420

NPS / DN	Dimensions [mm]									ISO 5211	° kg	
	øD	L _{RF}	L _{BW}	L _{RTJ}	øA	B	C	E	ød _r		RF	BW
2" / 50	42	451	451	454	230	175	182	50	40	F14	112	75
3" / 80	62	578	578	584	275	200	215	61	48	F16	212	135
4" / 100	87	673	673	683	315	215	250	76	58	F16	270	155
6" / 150	131	914	914	927	425	360	310	98	75	F25	755	505
8" / 200	179	1022	1022	1038	545	410	375	120	98	F30	1415	1110
10" / 250	223	1270	1270	1292	630	455	432	125	98	F30	2190	1510
12" / 300	265	1422	1422	1445	750	420	525	150	125	F35	3000	2020
14" / 350	292	-	1480	1630	805	600	575	160	130	F40	3700	3290
16" / 400	333	-	1540	1815	900	630	625	190	150	F40	560	4050

° Weights are informative only because of potential technological deviations.



Seat construction

Fig.	Type of seat	Description	Fluid	Temperature of the working medium	Working pressure	Material of seat insert	Seals
3a	Seat PMSS with elastomer and thermoplastic	Metallic contact between the seat and the ball guarantees protection of secondary seals that are made of thermoplastics and elastomers.	Gases with defined content of mechanical impurities.	* from -46°C to 220°C	class 150-900 (PN 16-160), up to class 1500 (PN 250) only to NPS 6 (DN 150)	POM, PEEK, HNBR, VITON	HNBR, VITON
3b	Seat with thermoplastic	Metallic contact between the seat and the ball provides protection of thermoplastic.	Liquids and gases with defined content of mechanical impurities.	* from -60°C to 220°C	class 150-2500 (PN 16-420)	RPTFE, PEEK	HNBR, VITON
3c	Metal-to-metal seated seat	Seating surfaces of the seat and the ball are sprayed with hard metal. The surfaces are lapped together to achieve the required tightness.	Contaminated gases and liquids, mixtures of solids and liquids.	* from -46°C to 220°C	class 150-1500 (PN 16-250)	metal+TCC – metal+TCC	HNBR, VITON, GRAFIT
3d	Cryogenic seat	Tightness is provided by a seat insert made of RPTFE or PCTFE (KEL-F) thermoplastic.	Liquefied gaseous substances.	* from -46°C to -196°C	class 150-1500 (PN 16-160)	RPTFE (do -100°C), PCTFE (do -196°C)	LIP-SEAL
	**Special seats	Depending on the fluid and the service parameters, also special designs of seats are available.	Steam, sea water, chemical compounds, etc.	acc. to request	acc. to request	Elastomers and thermoplastics of various types (NYLON, DEVLON).	Elastomers of other types, graphite boxes.

*Temperature range of the ball valve depends on the material of the seat insert and the material of seals. For temperature of the working medium above 200 °C is the limit value of pressure related to the quality of the material of body acc. to ANSI B16.34 or EN 1092-1

**The design of the special seat is always a part of the drawing documentation submitted with the quotation.

