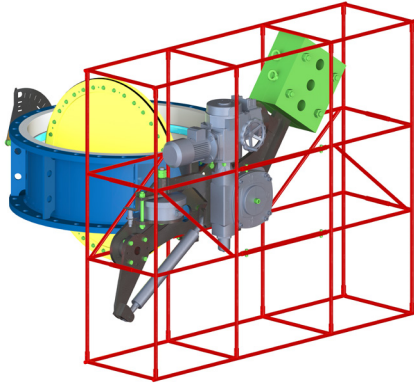


Metallurgical and special valves

Butterfly safety valve

L32 type 118
DN 250-1800

Type 118

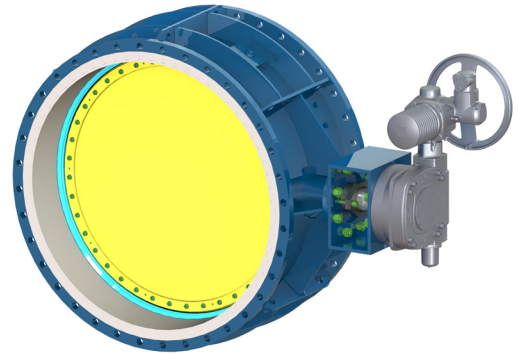


- Quick shut-off (< 4 seconds)
Quick opening/closing valve
- 0,02 Mpa
- +230 °C
- Emergency adjustment of the valve by means of weights on the lever in approx. 3 seconds from the interruption of the supply voltage to the holding solenoid; the disc with the weights is moved back to the standby position by means of the actuator

Double- or triple-eccentric butterfly valve

C61.3 type 140 (double eccentric)
C61.3 type 140A (triple eccentric)
DN 250-2000

Type 140 Type 140A

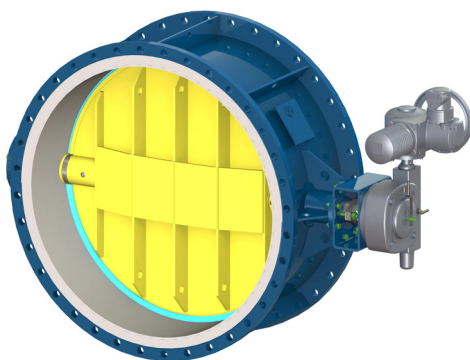


- Shut-off/regulation
- 0,5 Mpa
- Opening/closing
DN 800 to DN 1300 - 0,03 MPa
DN 1400 to DN 2000 - 0,01 MPa
- +250 °C
- Electric / hydraulic / electro-hydraulic

Control valve

C65.1 type 124
DN 250-4000

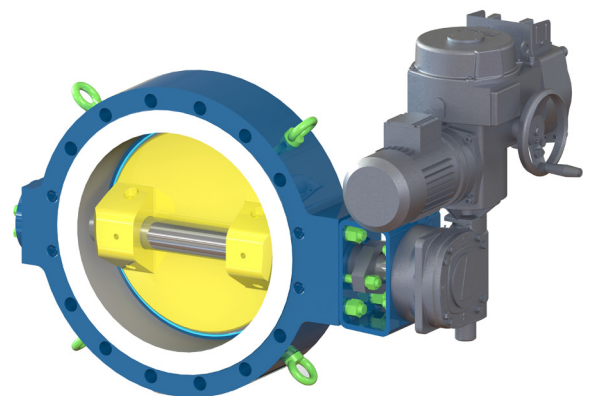
Type 124



- Used for regulation
- DN 200 to DN 1400 - 0,5 MPa
DN 1500 to DN 4000 - 0,25 MPa
- +400 °C
- Electric / hydraulic / electro-hydraulic / pneumatic

Triple-eccentric butterfly valve Type L32.88

DN 250-2000



- Shut-off/regulation.
Used on the cold air bypass to reduce the differential pressure on the valve type 140A (or type 140), to reduce the pressure in the cowper.
- 0,6 MPa
- +400 °C, for short-time +450 °C
- Electric / hydraulic / electro-hydraulic / pneumatic