

# Fully welded gate valves

# Type S43.3

DN 50-400 • PN 16-100 • Tmax 100 °C

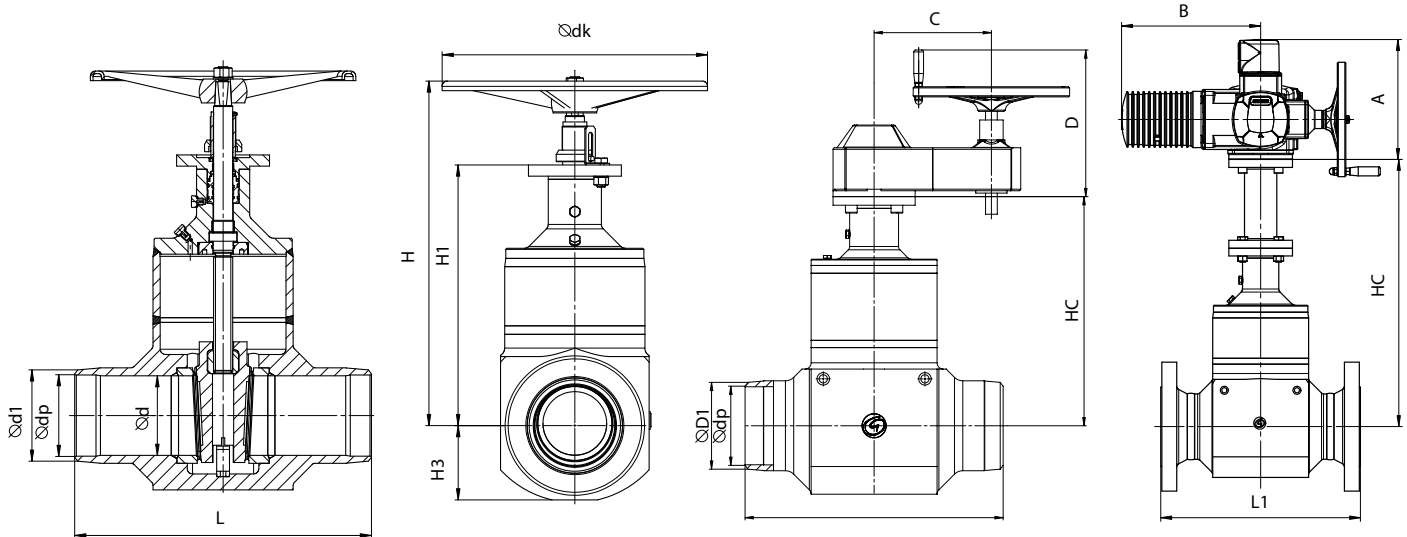
Body design: fully welded gate valve

Non-rising stem

Underground design

Connection:

- ☉ EN 12627 WELDED ENDS
- ☉ EN 1092-1 FLANGED ENDS (on request)



## Material

Component	from - 46 °C to 100 °C	from - 46 °C to 100 °C	from - 46 °C to 100 °C
Body	A350 LF2	A350 LF2 Re340MPa	A350 LF2 Re340MPa
Extension	A350 LF2	A350 LF2 Re340MPa	A350 LF2 Re340MPa
Flanges	A350 LF2	A350 LF2 Re340MPa	A694 F52
Bonnet	A350 LF2	A350 LF2 Re340MPa	A350 LF2 Re340MPa
Wedge + overlay	A350 LF2 + Stellite	A350 LF2 + Stellite	A350 LF2 + Stellite
Stem nut	bronz	bronz	bronz
Seat + overlay	A350 LF2 + Stellite	A350 LF2 + Stellite	A350 LF2 + Stellite
Stem	1.4923	1.4923	1.4923
Stem sealing	1.4021	1.4021	1.4021
Actuator flange	1.0570	1.0570	1.0570
Vent plug	1.4021	1.4021	1.4021
Position indicator	1.0570	1.0570	1.0570

## PN 16-100

S43.3 - welded ends, with handwheel															
DN	d	d1	dp	H	H1	H2	HC	L	L1 PN 16	L1 PN 100	Dk	kg	C	D	ISO 5210
50	49	60,3	Acc. to order	340	250	65	380	292	250	300	250	41	-	-	F10
80	74	114,3		382	280	87	440	356	310	380	320	56	-	-	F14
100	100	139,7		510	371	120	590	432	350	430	400	72	-	-	F14
150	150	219,1		650	491	140	736	559	450	550	500	169	-	-	F14
200	201	273		748	586	175	840	660	550	650	630	312	-	-	F16
250	252	323,9		1305	740	210	895	787	650	775	400	485	360	410	F25
300	303	406,4		1380	850	265	970	838	750	900	400	670	360	410	F25
400	385	457		1524	980	320	1100	991	950	1150	500	1250	380	424	F30

Dimensions A and B depend on the particular actuator type.

Note: DN 250 up to DN 400 are supplied only with gear and handwheel.

Weight [kg] is only approximate, depending on the actuator type.