



UNDERGROUND BALL VALVES

# Installation, operation and maintenance manual



# Contents

<b>1. General</b>	<b>4</b>
<b>2. Valve identification</b>	<b>5</b>
<b>3. Unloading and storage</b>	<b>6</b>
<b>4. Valve installation</b>	<b>8</b>
4.1 Installation of valve with weld connections	9
4.1.1 Steel ball valves < DN 300 reduced bore	9
4.1.2 Steel ball valves ≥ DN 300 reduced bore	10
4.3 Installation at the end of pipeline	11
4.4 Before commissioning	12
4.5 Commissioning and Pressure testing	12
4.6 Flushing	12
<b>5. Gear and actuator disassembly and installation</b>	<b>13</b>
5.1 Disassembly and reinstallation of ProGear/Rotork manual gear	13
5.2 Adjustment of ProGear/Rotork manual gear	14
5.3 Disassembly and reinstallation of AUMA electric actuator	15
5.4 Adjustment of the mechanical limits of AUMA electric actuator	16
5.5 Assembly/disassembly of pneumatic actuator	17
5.6 Assembly/disassembly of hydraulic actuator	17
<b>6. Maintenance</b>	<b>18</b>
6.1 Replacing the O-ring seal of stem in valves with hexagon head stem DN 25–150	19
6.2 Replacing the O-ring seal of stem in valves with hexagon head stem DN 200–400	20
6.3 Replacing the O-ring seal of stem in valves with top flange DN 200–500	21
6.4 Replacing the O-ring seal of stem in valves with actuators DN 200–500	22
<b>7. Appendices</b>	<b>23</b>
7.1 Parts list for underground ball valves DN 25–150	23
7.2 Parts list for underground ball valves DN 200–300	24
7.3 Parts list for underground ball valves DN 350–400	25
7.4 Parts list for underground ball valves with top flange DN 200–300	26
7.5 Parts list for underground ball valves with top flange DN 350–500	27
7.6 Coupling dimensions, reduced bore ball valves DN 25–500 with actuators	28
7.7 Coupling dimensions, full bore ball valves DN 25–400 with actuators	29
7.8 Maximum allowed operating torques	30
7.9 Kv value chart	31



**NOTE:**

This manual must be read and its instructions must be followed when installing, operating and/or performing maintenance on the valve as well as its manual gear or actuator.

These instructions are of general nature and do not cover all possible operating scenarios. For more specific guidance on the installation, operation and maintenance of the valve or its suitability for an intended use, please contact the manufacturer.

Vexve Oy reserves the right to make alterations to these instructions.

Vexve Oy is not responsible for damages caused by incorrect transportation, handling, installation, operation or maintenance. Furthermore, Vexve Oy is not responsible for damage caused by foreign objects or impurities.

## Warranty

Warranty according to Vexve Oy's "General terms and conditions of sale".

The warranty covers manufacturing and material faults. The warranty does not apply to damages caused by inappropriate installation, operation, maintenance, or storage ie. these instructions must be followed for the warranty to apply. Vexve Oy requires that any faulty products under warranty are to be returned to the factory for inspection. Only after the product has been found faulty, Vexve Oy can grant compensation.

Please refer to Vexve Oy's "General terms and conditions of sale" for detailed warranty clauses. The document is available from the manufacturer.

## Warnings and symbols

Ignoring the warnings and symbols may lead to serious injury or equipment damage. Persons authorized to use the equipment must be familiar with the warnings and instructions.

Appropriate transportation, storage and installation as well as careful commissioning are essential to ensure faultless and stable operation.

The following symbols are used in this manual to draw attention to actions essential to ensure the proper use and safety of the device.



**Meaning of the symbol: NOTE**

The NOTE symbol is used for actions and functions that are essential for the proper use of the device. Ignoring this symbol may have harmful consequences.



**Meaning of the symbol: WARNING**

The WARNING symbol is used for actions and functions that, if carried out incorrectly, may lead to injury or equipment damage.

# 1. General

Vexve's fully welded underground ball valve is designed for clean mediums and to be used in district heating and district cooling pipelines. The underground ball valve can also be used in heating and cooling systems and applications where the water is oxygen free. Vexve's underground ball valve is also suitable for oil piping systems.

The underground ball valves are also available as a modular design. The modular underground ball valve consists of the valve body and the modular stem package. These parts are sold separately. Instructions for the modular underground ball valve is available by request. For detailed information, please contact vexve's customer service.

Vexve's underground ball valve can be used within the following temperature-pressure range. Please note that the maximum allowable working pressure depends on the operating temperature.

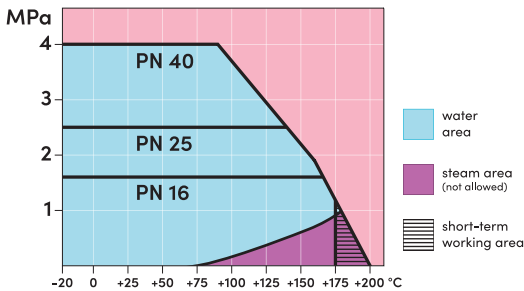


Chart 1.

Pressure-temperature chart  
DN 10-500 reduced bore



**NOTE:**

When intending to use the valve for other media or applications please contact Vexve Oy to ensure its suitability.



**NOTE:**

Dimensions in this manual generally refer to reduced bore ball valves. Manual can be utilized also as a full bore ball valve's user manual. However must be noticed that a full bore ball valve follows user instructions of a one size bigger reduced bore ball valve. For example a DN 200 full bore ball valve follows user instructions of a DN 250 reduced bore ball valve.

Parts lists for Vexve's underground ball valves are presented in Appendices 7.1- 7.5.

For detailed technical information including dimensions and weights, torques, Kv-values etc please refer to [www.vexve.com](http://www.vexve.com).

# Valve identification

The identification plate locates at the valve body. It has the following information:

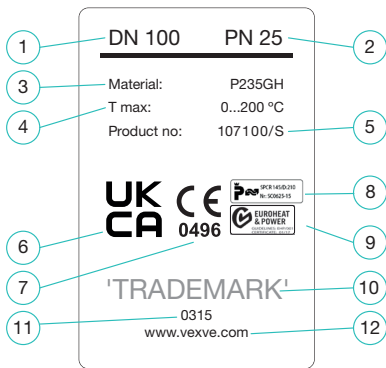


Figure 1. Identification plate

1. Valve DN size
2. Pressure class
3. Valve Body Material
4. Maximum Allowable Temperature
5. Product number
6. UKCA-marking
7. CE-Mark and the number of the notified body
8. Swedish valve certification
9. EHP003 certification
10. Trademark
11. Manufacturing date
12. Manufacturer's Website

# Unloading and storage

Check that the contents of the delivery is as ordered. Check that the valve and related equipment have not been damaged during transportation.

Store the valve carefully before installation, preferably in a well-ventilated, dry place, on a shelf or a wooden grid to protect it from rising damp.

Protect bare metal surfaces, shaft parts, and flange surfaces with anti-corrosive agent before storage.

The valve must be transported to the installation site in a sturdy package. Do not remove the flow port protectors before installation. Protect the valve from sand, dust, and other impurities.

Use lifting ropes when lifting the large size valves. It is forbidden to lift the valve by its actuator or stem (see Figures 2 and 3).



**NOTE:**

**Take the weight of the valve into account when handling it.**

When delivered, the valve is in the open position. During storage, the valve must also be in the open position.

Maximum recommended storage time is two years. If the valve is stored for more than two years, it should be operated and cleaned yearly.

## Packaging:

Vexve Oy's products are protected during transportation with special packaging. The packaging consists of environmentally friendly materials that are easy to sort and recycle.

Recycling the packaging materials at designated waste collection points is recommended.

The following packaging materials are used: wood, cardboard, paper, and polyethylene sheets.

## Recycling and disposal

Nearly all parts of the valve are made of recyclable materials. The material type is marked on most parts. Separate recycling and disposal instructions are available from the manufacturer. The valve can also be returned to the manufacturer for recycling and disposal against a fee.

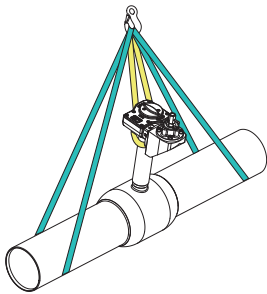
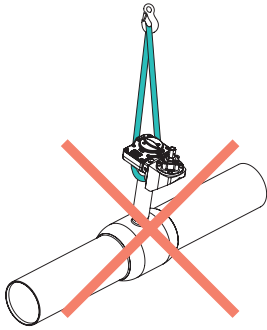
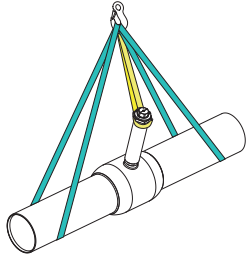
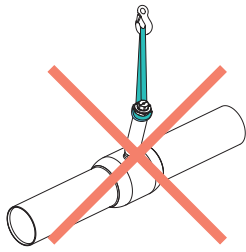


Figure 2. Lifting the valve

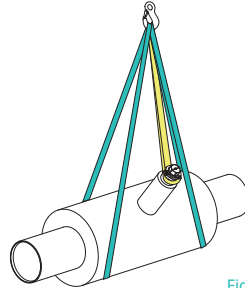
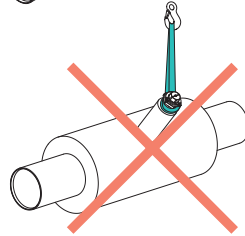
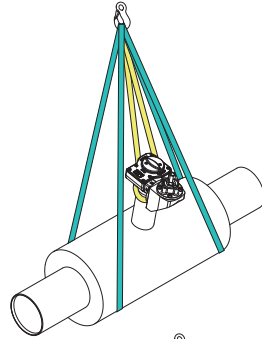
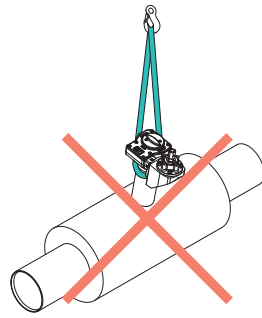


Figure 3. Lifting the pre-insulated valve



**NOTE:**

Yellow lifting cord is only intended to support valve from turning when lifting.



**WARNING:**

The valve can not be lifted from the lifting lugs at a temperature below -20 C. When storing/transporting at a temperature below -20 C, it must be ensured that the lifting lugs are not subject to a strong impact.

# 4. Valve installation

---



**WARNING:**

Incorrect installation may result in serious personal injury and it may damage or cause malfunction of the equipment. These instructions must therefore be followed carefully when installing the valve.

These general instructions do not cover all possible operating scenarios. For more specific guidance on the use of the valve or its suitability for an intended use, please contact the manufacturer.

---

- Do not remove the flow port protectors before installation. Keep the valve protected from sand, dust, and other impurities.
  - If the valve was delivered with the actuator installed, avoid removing the actuator during installation.
  - Incorrect re-installation or adjustment of the actuator will result in a high risk of damage and leakage.
  - Exercise extreme caution when testing the valve before installation in the pipeline.
  - The valve or valve assembly must not be lifted from the actuator. If the valve is equipped with lifting lugs, use them (see Figure 3). Dropping or incorrect lifting of the valve can result in personal injury or equipment damage.
  - Use one of the allowed lifting methods shown in Figures 2. and 3.
- 



**NOTE:**

The valve must be used only in applications for which it is intended.

---

Prior to installation:

- Remove the flow port protectors and check that the inside of the valve is clean.
- 



**NOTE:**

It is recommended to install the valve with the stem horizontal or vertically upwards.

---



**WARNING:**

The pipeline and valve shall be carefully cleaned prior to installation as any welding debris or other impurities can damage the valve.

---

## 4.1 Installation of valve with weld connections

### 4.1.1 Steel ball valves < DN 300 reduced bore

Recommended welding method is manual metal arc welding. Recommended welding rod is ESAB OK 48.00 or equal (standard: EN ISO 2560-A; classification: E 42 4 B 42 H5).

Valve size DN 125 and bigger must be welded to the pipeline by using electric welding.

#### Welding

Do not overheat the valve. Use cooling during the welding. Use wet fabric to protect the valve seat from excess heat during the welding. The welder should have the proper qualification to do this kind of welding procedures.

The valve must first be bridged to the pipeline using spot welding, with 4–8 seams alternately on opposite sides of the valve.

During welding the ground must be connected to the pipe of the valve body or the pipeline. Ground cable should be connected to the pipe on the same side as the welding seam. Otherwise the current may damage the valve seal. Never connect the ground to the valve neck, top flange, handle or actuator.

#### When valve is installed in a horizontal position:

When welding the valve, it must be in the open position in order to protect the surface of the ball from welding contamination (See Figure 4.4).

#### When valve is installed in a vertical position:

When making the upper seam welding, the valve must be open in order to protect the surface of the ball from welding contamination (See Figure 4.1).

When making the lower welding seam the valve must be closed to avoid the overheating of the valve (See Figure 4.3).

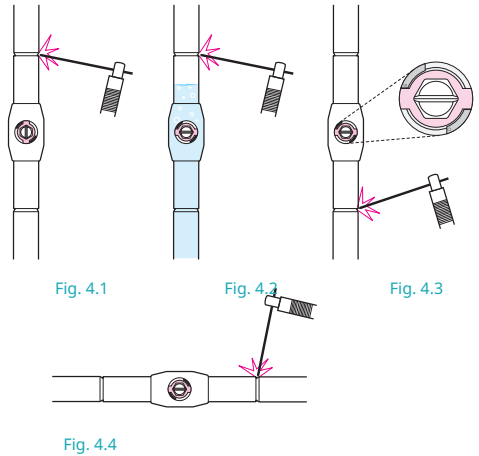


Fig. 4.1

Fig. 4.2

Fig. 4.3

Fig. 4.4

#### Figure 4.1. Vertical position

When welding the upper seam the valve must be in open position.

#### Figure 4.2. Vertical position

When welding the upper and lower side of the valve is pressurized the valve must be in closed position. Also cover the seal and ball with a water cushion of minimum 40 mm.

#### Figure 4.3. Vertical position

When welding the lower seam the valve must be in closed position.

#### Figure 4.4. Horizontal position

The valve must be in open position.

Cool down the valve (after welding) before normal operation. The valve may not be opened or/and closed after the welding before it has cooled down.

## 4.1.2 Steel ball valves $\geq$ DN 300 reduced bore



### NOTE:

Electric welding must be used to weld the valve in place.

- Recommended welding method is manual metal arc welding. Recommended welding rod is ESAB OK 48.00 or equal (standard: EN ISO 2560-A; classification: E 42 4 B 42 H5).
- A valve may be welded only by an authorized mechanic, following valid norms and standards.
- The valve must remain open during installation and welding to ensure that welding residue does not damage the seal surfaces.
- The ends of the pipes must be parallel to the valve and correctly aligned.
- The length of the valve must be the same as the distance between the pipe ends, taking into consideration the welding gaps.
- Diameter and wall thickness of the pipes must be compatible with the welding ends of the valve.
- Recommended installation position for the valve is with the shaft in the vertical or horizontal position.

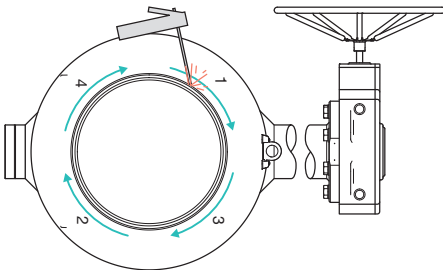


Figure 5. Welding the seams



### NOTE:

The recommended installation position for the valve is with the shaft in the vertical or horizontal position.

- The valve must first be bridged to the pipeline using spot welding, with 4–8 seams alternately on opposite sides of the valve.
- Then the seams between the bridges are welded as shown in Figures 4. and 5. Welding order: 1-2-3-4.
- Any lid welding must be carried minimum at 200 mm from the valve seam.
- During welding the ground must be connected to the pipe of the valve body or the pipeline. Ground cable should be connected to the pipe on the same side as the welding seam. Otherwise the current may damage the valve seal. Never connect the ground to the valve neck, top flange or actuator.

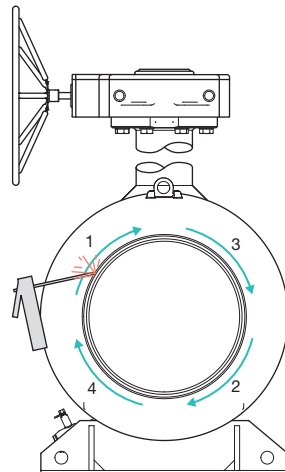


Figure 6. Welding the seams

## 4.3 Installation at the end of pipeline



**NOTE:**

Do not use the valve at the end of the pipeline – a blank flange must always be installed after the valve (see Figure 7. and 8.).

When the valve is installed at the end of the pipeline, there is a risk of corrosion-causing oxygen-rich water or air collecting on the empty rear side of the valve. To prevent corrosion, the space after the valve must be filled with oxygen-free water.

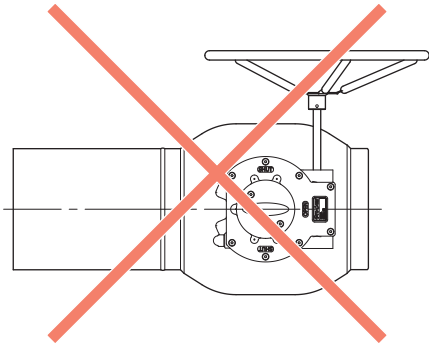


Figure 7. Do not use the valve at the end of the pipeline

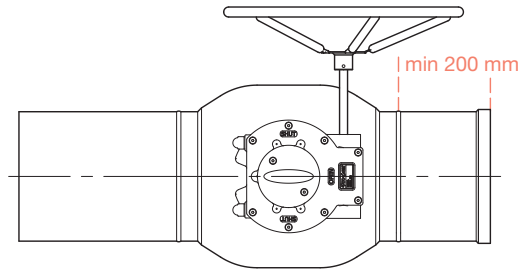


Figure 8. Blank flange

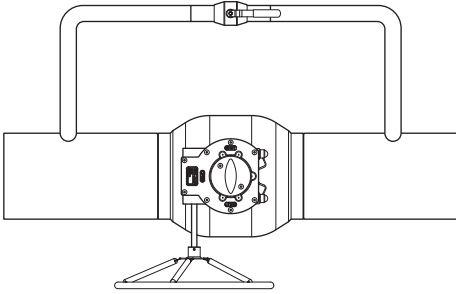
Min. 200 mm pipe must be installed between the valve and the blank flange



**NOTE:**

If the valve is located near to the blind flange at the end of the pipeline, valve must be in the fully open position to prevent a closed space from forming between the valve and blind flange. If water in the closed space expands (for example due to temperature), it may damage the valve.

## 4.4 Before commissioning



To avoid pressure shocks and to reduce the forces caused by opening the valve under pressure, it is recommended to use a by-pass valve in connection with ball valves of size DN 150 and larger (see Figure 9).

Figure 9. By-pass valve

## 4.5 Commissioning and Pressure testing

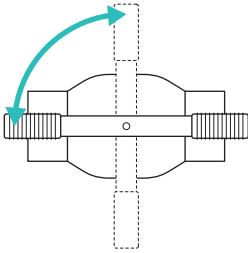


Figure 10. Check that the valve is either in an open or close position

Exceeding of permitted values marked on the valve may damage the valve and, in the worst case, cause uncontrolled venting of the pressure. This leads to equipment damage and possibly also to personal injuries. The largest allowable testing pressure is  $1,1 \times P_N$ , when the valve is closed. During the pipeline pressure testing ( $1,5 \times P_N$ ), the valve must be open.

The shut-off valves are designed to be fully open or close. Check that the valve is either in an open or close position against the stopper. Do this either by turning the handle 90 degrees or if the valve is equipped with a manual gear or an actuator, operate the valve with the help of it.

## 4.6 Flushing

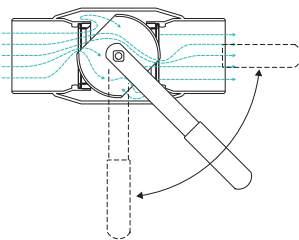


Figure 11. Pipeline needs to be flushed after valve installation

Pipeline needs to be flushed carefully after the valve installation.

During flushing, calmly operate the valve a few times fully open - fully closed, in order to flush out any impurities from the inside of the valve and sealing surfaces.

# 5. Gear and actuator disassembly and installation



## NOTE:

Avoid removing the actuator/gear from the valve. The actuator/gear has been calibrated at the factory to ensure that the valve is tight. If the actuator/gear is removed, it may have to be re-calibrated.

Vexve Oy accepts responsibility only for actuators/gears installed by Vexve Oy.

Refer to the separate adjustment instructions, available from the manufacturer.



## WARNING:

The manual gear or actuator may not be removed or dismantled if the valve is pressurized! It is recommended to use the special actuator removal tools!

Incorrect disconnection may cause serious personal injuries as well as malfunction and damage to the equipment. Extreme caution must be exercised during the disconnection!

Do not use too high torques to operate the valve. Too high torques can damage the valve or the actuator/gear!

## 5.1 Disassembly and reinstallation of ProGear/Rotork manual gear

Part numbers mentioned in this chapter refer to the figure 12. The instructions in this chapter apply to both the manual gear and the angle gear.

### Disassembly:

1. Turn the valve to the open position before removing the gear. Valve opens when you turn the hand wheel of the gear counterclockwise.
2. Turn the hand wheel slightly towards the close position (clockwise) to release forces between the valve and the gear in order to make it easier to remove the gear. To do this, turn the hand wheel only that much that it rotates easily.
3. Remove the bolts (2) of the position indicator plate and remove the position indicator plate (3). Mark the position of the valve stem to the bush of the gear (1) in order to make it easier to reinstall the gear back into the right position.
4. Remove the attachment bolts of the gear and then remove the gear.

### Reinstallation:

5. When reinstalling the manual gear back to valve, check that the gear is in the right position .
  - If the gear is installed back to its original position there is no need to adjust the gear settings .
  - If the gear is turned 180 degrees from its original position, you must carefully check that the valve closes and opens correctly. If the mechanical limits (parts 4-7) are not correct you must adjust the gear as described in the chapter "5.2 Adjustment of manual gear".
6. Install the gear back to the valve and tighten the attachment bolts.
7. Check that the valve opens and closes correctly. If the mechanical limits (parts 4-7) are not correct you must adjust the gear as described in the chapter "5.2 Adjustment of manual gear".

## 5.2 Adjustment of ProGear/Rotork manual gear

Part numbers mentioned in this chapter refer to the figure 12.

Remove the plastic dust caps (4) from the top of the mechanical limits. Open the locking nuts (5) and loosen the adjusting screws (6 & 7)

1. Turn the valve to the open position. Valve opens when you turn the hand wheel of the gear counterclockwise. Valve is in the open position when the flow port of the valve ball is concentric with the seat of the ball.
2. Tighten the OPEN position adjusting screw (7) until it stops turning. Fix it with the locking nut (5) and put the dust cup in its place (4).
3. Turn the valve 90 degrees to the closed position. Valve closes when you turn the hand wheel of the gear clockwise.
4. Tighten the CLOSE position adjusting screw (6) until it stops turning. Fix it with the locking nut (5) and put the dust cup in its place (4).
5. Check that the valve opens and closes correctly.

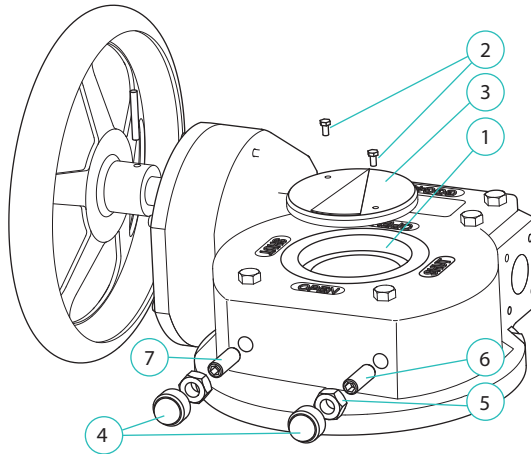


Figure 12. Manual gear

## 5.3 Disassembly and reinstallation of AUMA electric actuator

Part numbers mentioned in this chapter refer to the figure 13.

### Disassembly:

1. Before removing the actuator, turn the valve to the open position either electrically or manually by rotating the hand wheel (3) of the motor unit (2) counterclockwise.
2. Turn off the power supply of the actuator.
3. Turn the hand wheel (3) of the motor unit (2) slightly towards the close position (clockwise) to release forces between the valve and the actuator in order to make it easier to remove the actuator. To do this, turn the hand wheel (3) only that much that it rotates easily.
4. Remove the bolts (4) of the position indicator plate. Remove the position indicator plate (5), the retaining ring (6) and the cover plate (7).
5. Before removing the actuator, mark the position and the place of the bushing (8) in relation to the actuator and the valve.
6. Remove the attachment bolts of the actuator and remove the actuator. The bushing (8) will stay at the valve stem.

### Reinstallation:

7. When reinstalling the actuator back to the valve, check that the actuator is in the right position.
  - If the actuator is installed back to its original position there is no need to adjust the actuator settings.
  - If the actuator is turned 180 degrees from its original position, you must carefully check that the valve closes and opens correctly. If the actuator limits are not correct you must adjust the actuator as described in the chapter 5.4 "Adjustment of the mechanical limits of AUMA electric actuator".
8. Install the actuator back to the valve and tighten the attachment bolts of the actuator.
9. Check that the valve opens and closes correctly. If the actuator limits are not correct you must adjust the actuator as described in the chapter 5.4 "Adjustment of the mechanical limits of AUMA electric actuator".

## 5.4 Adjustment of the mechanical limits of AUMA electric actuator

Part numbers mentioned in this chapter refer to the figure 13.

If the actuator is already installed to the valve, you can skip the points 1-8

1. Vexve Oy's ball valves are delivered from the factory in the open position. If the valve has been operated so that it is in some other position, turn the valve to the open position. Remove the device (handle/actuator) that you used to operate the valve.
2. Check that the valve stem is intact and clean. Check also that the key of the valve stem is properly in its groove.
3. Put the bushing (8) on the valve stem and set it to the right depth. Check that the overlap between the valve stem and the bushing is long enough. Usually a proper gap between the bushing and the actuator flange of the valve is about 10 mm.
4. Tighten the locking screw (9) with an Allen key.
5. Turn the actuator to the open position.
6. Install the actuator on the valve in the preferred position. The gear unit (1) must fit the bushing (8) easily and you must not force it in its place.
7. Grease the attachment screws of the actuator. Put all the washers and the attachment screws first loosely in their places and finally tighten them up.
8. (If the motor unit (2) is not installed to the gear unit (1), install it now. Put all the washers and the attachment screws first loosely in their places and finally tighten them up).
9. Turn the hand wheel (3) a couple of revolutions clockwise. Remove the attachment screws (10) of the limiting bush (11).
10. (Set the position and torque limit of the motor unit (or control unit if included) according to separate AUMA's instructions).
11. Turn the valve to the open position.
12. Turn the limiting bush counterclockwise until it stops turning. Then turn it backwards (clockwise) app. 1/8 turn
13. Pull the limiting bush out and put it back in its place so that the holes of it will match the holes of the gear unit. Fasten the limiting bush (11) tightly with the attachment screws (10).
14. Check that the actuator works properly.

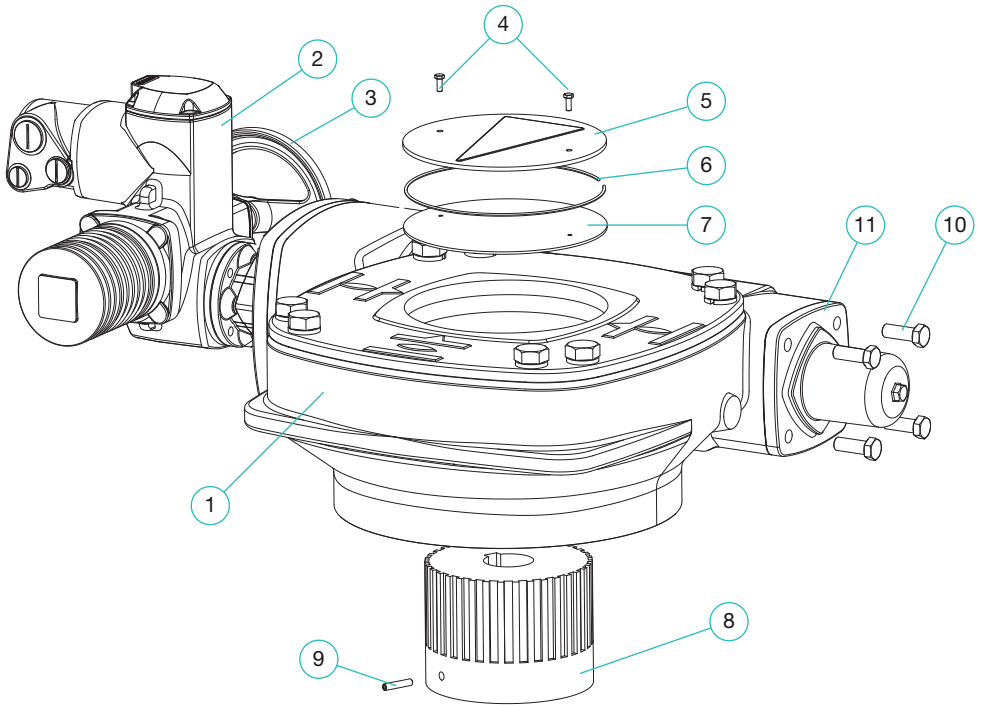


Figure 13. Electric actuator

## 5.5 Assembly/disassembly of pneumatic actuator

Please refer to the separate installation/adjustment instructions, available from the manufacturer.

## 5.6 Assembly/disassembly of hydraulic actuator

Please refer to the separate installation/adjustment instructions, available from the manufacturer.

# 6. Maintenance

Vexve Oy's ball valves are virtually maintenance-free.

Correct choice of valve as well as careful installation, commissioning, and use significantly reduce any need for maintenance.

---



**WARNING:**

When the valve is installed in the line, its surface temperature may be dangerously high. Protect yourself against burns.

---

We recommend checking the following periodically:

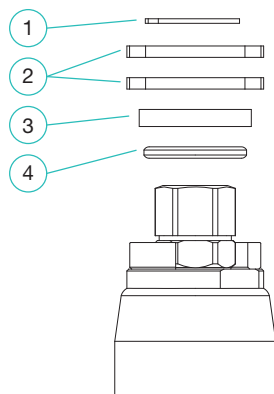
Check that the valve is free from surface damage and shaft leaks, and carefully repair any damage.

To ensure long-term operational reliability, even when seldom used (around ten times a year or less), we recommend the following:

Approximately six months after commissioning and then once a year, inspect the valve for shaft leaks, check the manual gear / actuator, and ensure the tightness of the screws between valves.

## 6.1. Replacing the O-ring seal of stem in valves with hexagon head stem DN 25–150

manufactured 2015 or later



DN 25–150

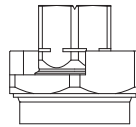
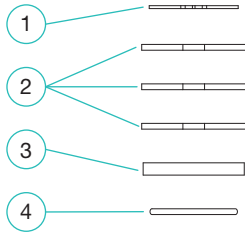
- Remove the retaining ring (1)
- Remove block stops (2)
- Remove the bush (3)
- Remove the damaged o-ring (4)
- Put the new o-ring (4) in its place by pressing it evenly downwards from its upper edge
- Assemble removed parts in reverse order

	Part	DN 25-80	DN 100-150
1	Retaining ring	299424	291911
2	Block stop	288053	288055
3	Bush	296436	296438
4	O-ring	296075	296076

## 6.2 Replacing the O-ring seal of stem in valves with hexagon head stem DN 200–400

manufactured 2020 or later

(if manufactured earlier, contact the manufacturer)



DN 200–400

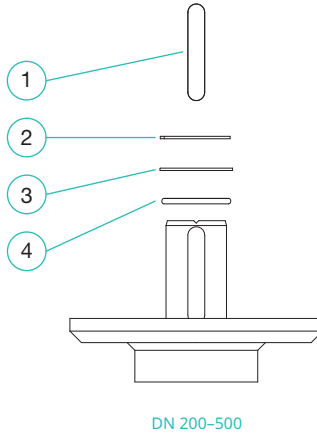
- Remove the retaining ring (1)
- Remove the block stop(s) (2)
- Remove the distance plate (3)
- Remove the damaged o-ring (4)
- Put the new o-ring (4) in its place by pressing it evenly downwards from its upper edge
- Assemble removed parts in reverse order

	Part	DN 200-300	DN 350-400
1	Retaining ring	009001	299420
2	Block stop	940267	288074
3	Distance plate	940297	296440
4	O-ring	010021	296077

## 6.3 Replacing the O-ring seal of stem in valves with top flange DN 200–500

**manufactured 2022 or later**

(if manufactured earlier, contact the manufacturer)



- Remove the key (1)
- Remove the retaining ring (2)
- Remove the distance plate (3)
- Remove the damaged o-ring (4)
- Put the new o-ring (4) in its place by pressing it evenly downwards from its upper edge
- Assemble removed parts in reverse order

	Part	DN 200	DN 250	DN 300-350	DN 400	DN 450-500
1	Key	040002	040001	040005/070005	070006	070007
2	Retaining ring	008010	009006	009008	070014	070015
3	Distance plate	940068	940037	940164	940280	940280
4	O-ring	010017	010018	010024*	070002	070003

\* manufactured 2025 or later

## 6.4 Replacing the O-ring seal of stem in valves with actuators DN 200–500

manufactured 2022 or later

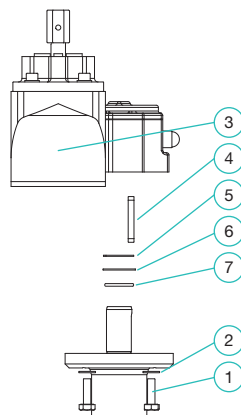
(if manufactured earlier, contact the manufacturer)



### NOTE:

When reassembling, be sure to put the retaining ring (5) properly into its groove in the stem and make sure that the stem is in the right position

Make sure that the gap in the retaining ring (5) is not located in the same place with the key (4). Clean the stem hole of the actuator before reinstalling the actuator (3). Actuator must fit the stem easily so that it won't press the stem downwards.

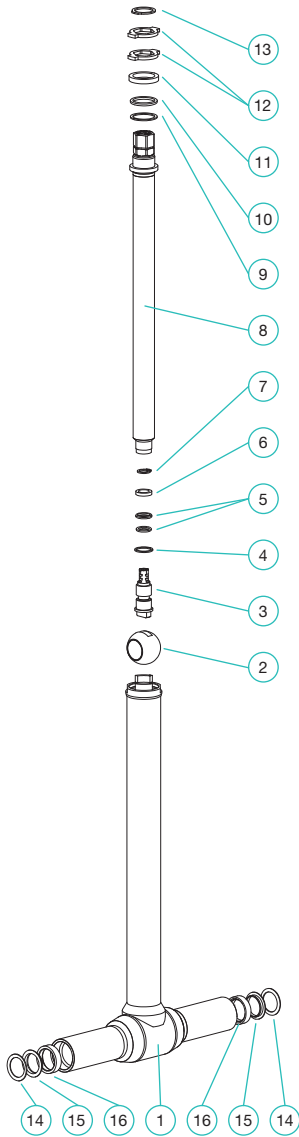


- Remove the hex screws (1), washers (2) and the actuator (3)
- Remove the key (4), the retaining ring (5) and the top distance plate (6)
- Remove the damaged o-ring (7)
- Put the new o-ring (7) in its place by pressing it evenly downwards from its upper edge
- Assemble removed parts in reverse order

	Part	DN 200	DN 250	DN 300–350	DN 400	DN 450–500
1	Hex screw	001031	001032	981166	981167	981169
2	Washer	981066	981075	981076	981075	981076
3	Actuator	x	x	x	x	x
4	Key	040002	040001	040005/070005	070006	070007
5	Retaining ring	008010	009006	009008	070014	070015
6	Top distance plate	940068	940037	940164	940280	940281
7	O-ring	010017	010018	010024	070002	070003

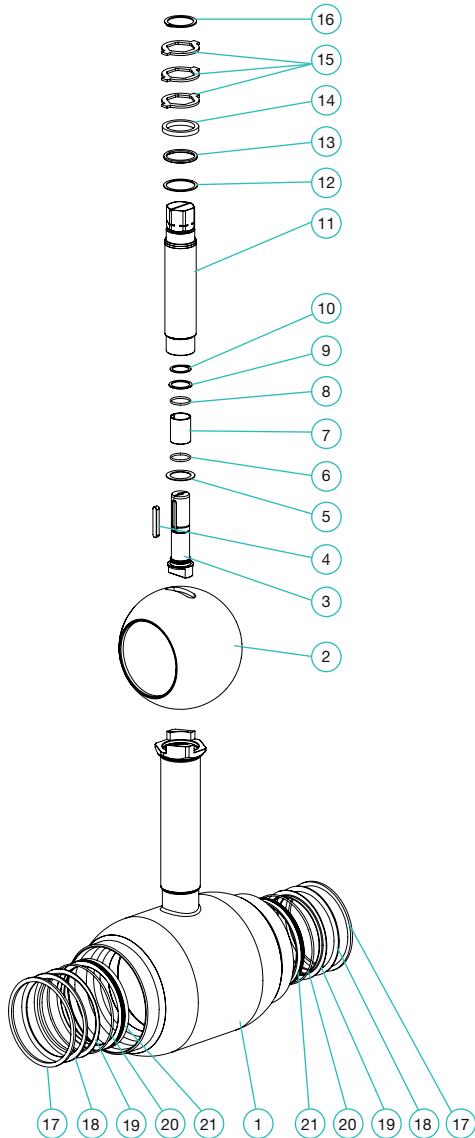
# Appendices

## 7.1 Parts list for underground ball valves DN 25–150



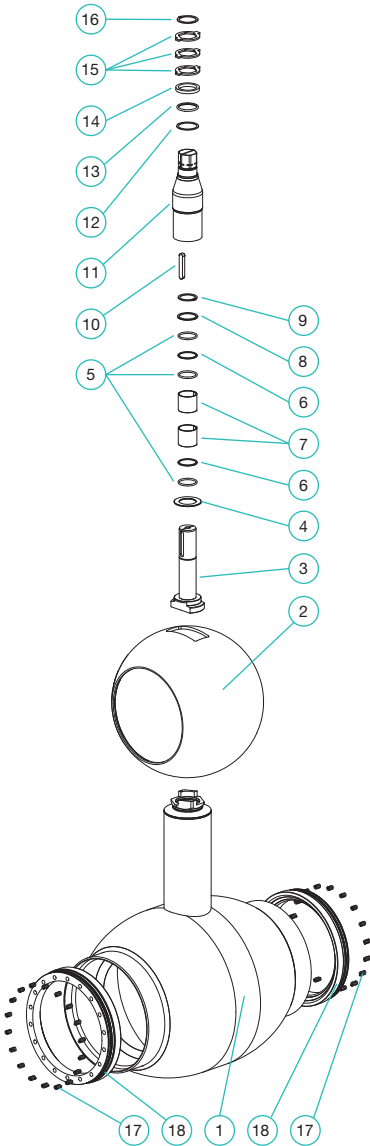
Part number		qty
1	Valve body	1
2	Ball	1
3	Stem	1
4	Sliding plate	1
5	O-ring	2
6	Bush	1
7	Retaining ring	1
8	Extension of stem	1
9	Sliding plate	1
10	O-ring	1
11	Bush	1
12	Block stop	2
13	Retaining ring	1
14	Spring plate	2
15	Support plate	2
16	Ball seal	2

## 7.2 Parts list for underground ball valves DN 200–300



Part number		qty
1	Valve body	1
2	Ball	1
3	Stem	1
4	Key	1
5	Sliding plate	1
6	O-ring	1
7	Sliding bearing	1
8	O-ring	1
9	Top distance plate	1
10	Retaining ring	1
11	Stem	1
12	Sliding ring	1
13	O-ring	1
14	Bush	1
15	Block stop	3
16	Retaining ring	1
17	Retaining ring	2
18	Support plate	2
19	Spring plate	2
20	O-ring	2
21	Ball seal	2

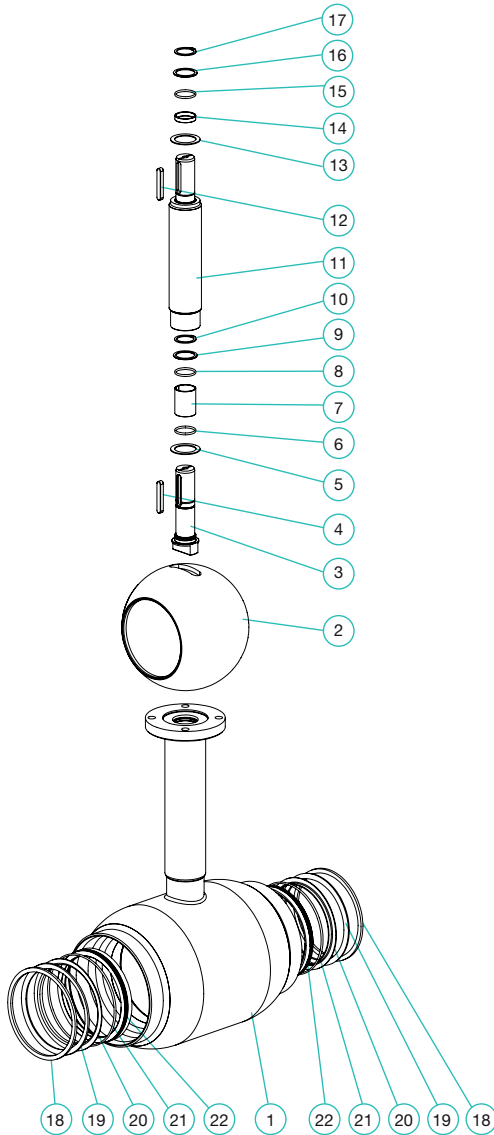
### 7.3 Parts list for underground ball valves DN 350–400



Part number		qty
1	Valve body	1
2	Ball	1
3	Stem	1
4	Sliding plate	1
5	O-ring	3
6	Bottom distance plate	2
7	Sliding bearing	2
8	Top distance plate	1
9	Retaining ring	1
10	Key	1
11	Stem	1
12	Sliding plate	1
13	O-ring	1
14	Bush	1
15	Block stop	3
16	Retaining ring	2
17	Springs	n*
18	Ball seal	2

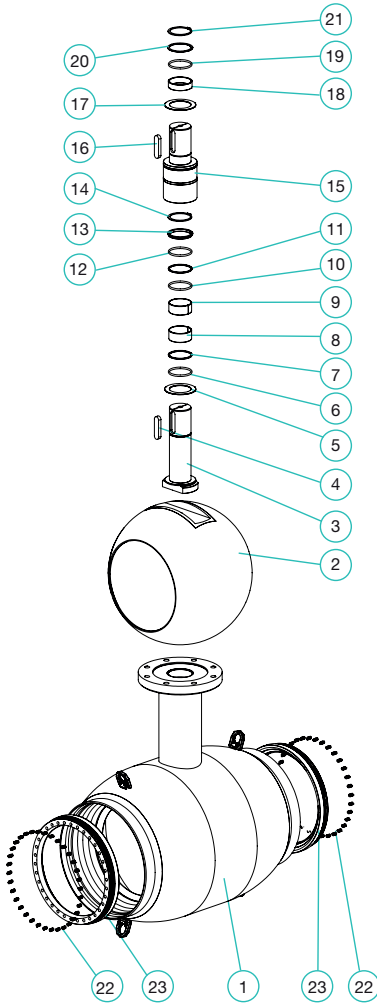
\*Depends on the valve size

## 7.4 Parts list for underground ball valves with top flange DN 200–300



Part number		qty
1	Valve body	1
2	Ball	1
3	Stem	1
4	Key	1
5	Sliding plate	1
6	O-ring	1
7	Sliding bearing	1
8	O-ring	1
9	Top distance plate	1
10	Retaining ring	1
11	Stem	1
12	Key	1
13	Sliding plate	1
14	Bush	1
15	O-ring	1
16	Top distance plate	1
17	Retaining ring	1
18	Retaining ring	2
19	Support plate	2
20	Spring plate	2
21	O-ring	2
22	Ball seal	2

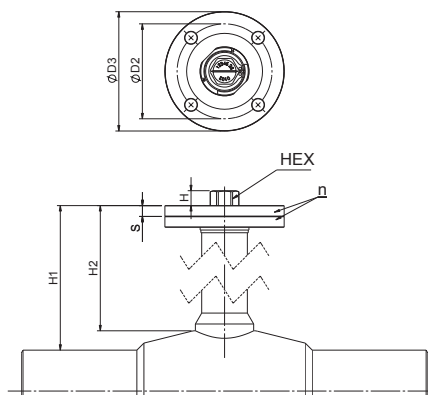
# 7.5 Parts list for underground ball valves with top flange DN 350–500



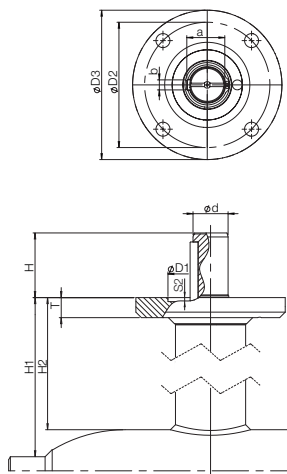
Part Number		qty
1	Valve body	1
2	Ball	1
3	Stem	1
4	Key	1
5	Sliding plate	1
6	O-ring	1
7	Distance plate	1
8	Sliding bearing	1
9	Sliding bearing	1
10	O-ring	1
11	Distance plate	1
12	O-ring	1
13	Top distance plate	1
14	Retaining ring	1
15	Stem	1
16	Key	1
17	Sliding plate	1
18	Bush	1
19	O-ring	1
20	Top distance plate	1
21	Retaining ring	1
22	Springs	n*
23	Ball seal	2

\*Depends on the valve size

## 7.6 Coupling dimensions, reduced bore ball valves DN 25–500 with actuators



DN 25–150



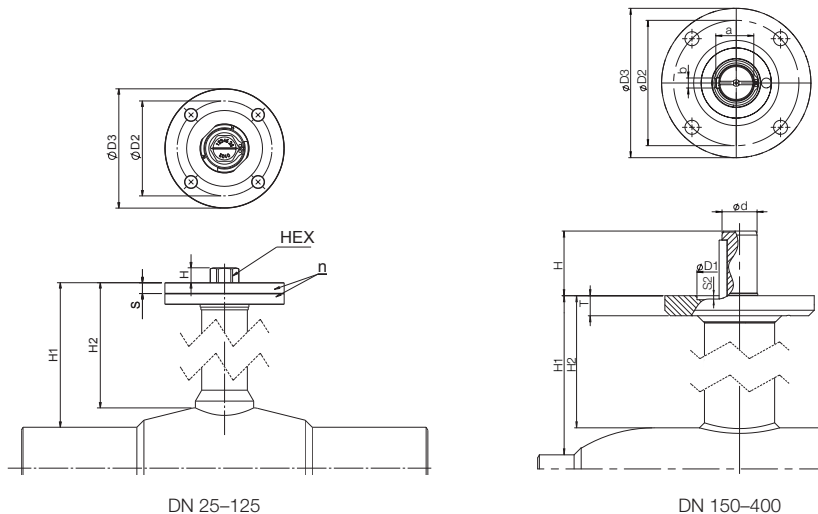
DN 200–500

DN	H	S	S2	A	Ød	T	H1	H2	a	b	D1	D2	D3	n	Bolts	Key	Flange ISO5211
25	11	8		19			354	347				70	88	2	4xM8		F07
32	11	8		19			353	345				70	88	2	4xM8		F07
40	11	8		19			365	354				70	88	2	4xM8		F07
50	11	8		19			365	351				70	88	2	4xM8		F07
Toler.				-0.1													

65	11	8		19			366	353				70	88	2	4xM8		F07
80	11	8		19			369	353				70	88	2	4xM8		F07
100	18	8		27			374	358				125	150	3	4xM12		F12
125	18	8		27			367	348				125	150	3	4xM12		F12
150	18	8		27			373	348				125	150	3	4xM12		F12
Toler.				-0.1													

200	65		4		35	20	380	355	38	10	85	125	149		4xM12	A-10x3 - 63	F12
250	79		5		40	20	389	347	43	12	100	140	179		4xM16	A-12x8 - 80	F14
300	88		6		50	20	418	351	53,5	14	130	165	209		4xM20	A-14x9 - 90	F16
350	81		6		50	20	425	349	53,5	14	130	165	209		4xM20	A-14x9 - 80	F16
400	110		7		70	25	477	375	74,5	20	200	254	300		8xM16	A-20x12 - 100	F25
450	116		7		90	40	491	390	95	25	230	298	350		8xM20	A-25x14 - 100	F30
500	116		7		90	40	466	390	95	25	230	298	350		8xM20	A-25x14 - 100	F30
Toler.					-0.1												

## 7.7 Coupling dimensions, full bore ball valves DN 25–400 with actuators



DN	H	S	S2	A	Ød	T	H1	H2	a	b	D1	D2	D3	n	Bolts	Key	Flange ISO5211
25	11	8		19			358	345				70	88	2	4xM8		F07
32	11	8		19			368	354				70	88	2	4xM8		F07
40	11	8		19			371	351				70	88	2	4xM8		F07
Toler.				-0.1													

50	11	8		19			373	353				70	88	2	4xM8		F07
65	11	8		19			375	353				70	88	2	4xM8		F07
80	18	8		27			387	358				125	150	3	4xM12		F12
100	18	8		27			380	348				125	150	3	4xM12		F12
125	18	8		27			387	348				125	150	3	4xM12		F12
Toler.				-0.1													

150	65		4		35	20	406	354	38	10	85	125	149		4xM12	A-10x3 - 63	F12
200	79		5		40	20	416	347	43	12	100	140	179		4xM16	A-12x8 - 80	F14
250	88		6		50	20	434	360	53,5	14	130	165	209		4xM20	A-14x9 - 90	F16
300	81		6		50	20	440	349	53,5	14	130	165	209		4xM20	A-14x9 - 80	F16
350	110		7		70	25	502	375	74,5	20	200	254	300		8xM16	A-20x12 - 100	F25
400	116		7		90	40	516	390	95	25	230	298	350		8xM20	A-25x14 - 100	F30
Toler.					-0.1												

## 7.8 Maximum allowed operating torques

DN-size <sup>1)</sup>		Torque <sup>2)</sup> [Nm]				Max. pressure class <sup>3)</sup>
Reduced bore	Full bore					
DN 25	DN 20	15	17	19	21	
DN 32	DN 25	21	23	25	27	
DN 40	DN 32	34	36	39	43	
DN 50	DN 40	42	45	50	55	
DN 65	DN 50	60	63	68	75	
DN 80	DN 65	80	85	98	110	
DN 100	DN 80	110	125	150	250	
DN 125	DN 100	150	200	270	390	
DN 150	DN 125	280	350	520	750	
DN 200	DN 150	300	600	900	1200	
DN 250	DN 200	800	1300	1900	2500	
DN 300	DN 250	2000	2500	3000	4000	
DN 350	DN 300	1000	2200	2800	4000	
DN 400	DN 350	1500	3000	4500	6500	
DN 500	DN 400	2000	6000	9000	12000	
		0	10	16	25	
		Pressure difference <sup>4)</sup> [bar]				

1) DN-size of the valve

2) Max. torque needed to open/close the valve

3) Max. pressure class of the valve available

4) Pressure difference across the valve  $\Delta p$ :

where

$$p = p_1 - p_2,$$

$p_1$  = pressure before the valve

$p_2$  = pressure after the valve

## 7.9 Kv value chart

DN-size	Kv-values	
	Reduced bore	Full bore
25	25	66
32	41	75
40	67	116
50	105	180
65	182	305
80	315	456
100	470	1474
125	830	2238
150	1150	2417
200	1750	3875
250	3200	5639
300	4600	15400
350	9600	27720
400	13300	34800
500	18700	



**NOTE:**

Kv values for water



**Vexve Oy**

Pajakatu 11  
38200 Sasstamala  
Finland

Riihenkalliontie 10  
23800 Laitila  
Finland

Tel. +358 10 734 0800  
[vexve.customer@vexve.com](mailto:vexve.customer@vexve.com)

