

OZONE

MANUELDEVOL

PILOT'S MANUAL
PILOT'S MANUAL

BETRIEBSHANDBUCH



OZONE | ozone.
Pilot's Manual

OZONE | ozone.
Pilot's Manual



BETRIEBSHANDBUCH



PILOT'S MANUAL - PFLICHTLEKTÜRE

BLUZZ →

PILOT'S MANUAL

Do not fly your glider until you have read this manual.

MANUELDEVOL

Veuillez lire le manuel de vol avant la premier utilisation de votre aile.

BETRIEBSHANDBUCH

Dieses Betriebshandbuch ist Pflichtlektüre vor deinem ersten Flug!

ENGLISH

CONTENTS

Thank You	3
Warning	4
Team Ozone	5
Your Buzz	5
Bag	6
Brake Lines	6
Risers	6
Accelerator System	6
Harness	6
Total weight in flight	7
Basic Flight Techniques.....	7
Pre Flight Check List.....	7
Practice Flights.....	7
Take-off Check List.....	7
Launching.....	7
Ground Handling.....	7
In Flight Characteristics.....	8
Normal Flight.....	8
Active Flying.....	8
Turning	8
Landing	8
Packing	9
Advanced Flight Techniques	9
Descent Techniques	9
Big Ears	9
Big Ears and Accelerator	9
Big Ears and Spiral Dive	9
Wingovers	9
B-Line Stall	10
Spiral Dives	10
Incidents	10
Deep Stall / Parachutal Stall	10
Deflations	10
Cravats	11
Acrobatic Flying	11
Towing.....	11
Paramotoring	11
Matrails	12
Caring for Your Buzz	12
Storage	12

Cleaning	13
Repairs	13
Maintenance Checks	13
Modifications	14
Ozone Quality and Service	14
Summary	15
Riser Arrangement	49
Service Card	



PHOTO : CHARLIE KING

THANK YOU!

Thank you for choosing to fly an Ozone Buzz.

As a team of free flying enthusiasts and adventurers, Ozone's mission is to build sweet handling, agile paragliders that produce 'cutting edge' performance, whilst still keeping you safe in rough air.

All our research and development is concentrated on creating the best handling characteristics possible with optimum security. Confidence and belief in your paraglider is a far greater asset than any small gains in performance - ask any of the Ozone pilots on your local hills, or those who have taken our gliders on ground-breaking adventures and stood on podiums around the world.

Our development team is based in the south of France. This area, which includes the sites of Gourdon, Monaco and Lachens guarantees us more than 300 flyable days per year; this is a great asset in the development of the Ozone range.

As pilots we fully understand just how big an investment a new paraglider is. We know that quality and value for money are essential considerations when choosing your new paraglider; so to keep costs low, and quality high we now build all our wings in our own production plant. This way we can guarantee that all our paragliders meet the same high standards that we expect ourselves.

This manual will help you get the most out of your BUZZ. It details information about the BUZZ's design, tips and advice on how best to use it and how to care for it to ensure it has a long life and retains a high resale value. Along with this manual you will also have received a service card giving the technical specifications of your glider, line layout diagram, line length check table and a service record sheet, please make sure this is completed when you get your glider serviced and keep the card with the glider in case you need to replace a line.

If you need any further information about Ozone, the BUZZ, or any of our products then please check www.flyozone.com or contact your local dealer, school or any of us here at Ozone.

It is essential that you read this manual before flying your

BUZZ for the first time.

Please ensure that this manual is passed on to the new owner if you ever resell this paraglider.

Ozone's web site, www.flyozone.com or www.flyozone.com/pgframe.asp?pge=gliders-buzz.htm carries up-to-date information, including any safety issues or issues specific to your Buzz. Please check it regularly.

Safe Flying

All the team @ Ozone

WARNING

Paragliding is a potentially dangerous sport that can cause serious injury including bodily harm, paralysis and death.

Flying an Ozone paraglider is undertaken with the full knowledge that paragliding involves risks.

As the owner of an Ozone paraglider you take exclusive responsibility for all risks associated with its use. Inappropriate use and or abuse of your equipment will increase these risks.

Ozone paragliders are only suitable for qualified pilots or those under instruction.

Any liability claims resulting from use of this product towards the manufacturer, distributor or dealers is excluded.

Make sure you seek professional tuition and learn with a reputable school.

Be prepared to practise as much as you can especially ground handling as this is a critical aspect of paragliding; poor control whilst on the ground is one of the most common causes of accidents.

Be ready to continue your learning by attending advanced courses to follow the evolution of our sport, techniques and materials keep improving.

Use only certified paragliders, harnesses with protector and reserve parachutes that are free from modification, and use them only within their certified weight ranges. Please remember that flying a glider outside its certified configuration may jeopardise any insurance (e.g. liability, life etc) you have. It is your responsibility as the pilot to verify your insurance cover.

Make sure you complete a thorough daily and pre-flight inspection of all of your equipment. Never attempt flying with unsuitable or damaged equipment.

Always wear a helmet, gloves and boots.

All pilots should have the appropriate level of license for their respective country and third party insurance.

Make sure that you are physically and mentally healthy before flying.

Choose the correct wing, harness and conditions for your level of experience.

Pay special attention to the terrain you will be flying and the weather conditions before you launch. If you are unsure then don't fly, and always add a large safety margin to all your decisions.

Avoid flying your glider in rain, snow, strong wind, and turbulent weather conditions or clouds.

If you use good, safe judgement you will enjoy many years of paragliding.

Remember, PLEASURE is the reason for our sport.

TEAM OZONE

Everyone at Ozone continues to be driven by our passion for flying, our love of adventure and our quest to see Ozone's paraglider development create better, safer and more versatile paragliders.

Paragliding design is led by the ever thoughtful Dav Dagault and Rob Whittall who just don't ever stop; they are pilots with a wealth of experience both in competition and adventure flying, as well as PG design. Also on the design team are test pilots Jerome Canaud, a true acro spirit who has instructed paragliding and Russell Ogden, top competition pilot and paragliding instructor - they can usually be found putting Dav's latest creation through a series of acro manoeuvres.

Back in the office Mike 'Da Boss' Cavanagh and Sam Lowe generally keep control of the mayhem. Making sure that your glider gets from our factory to you as quickly as possible is Claire Drury, Meanwhile hidden in a corner, trying to avoid looking at the flyable conditions outside are Marcus King and Manu Prissette who look after all our adverts, videos and communication, as well as trying to keep the computers running. New member Ivan Bellia is in charge of designing our new range of accessories. Downstairs Karine Marconi makes sure we don't spend too much money whilst if you phone us you are likely to hear the dulcet tones of Nicky Watts.

Our manufacturing facility in Vietnam is headed up by Dr Dave Pilkington, who works relentlessly manufacturing gliders and producing prototypes as well as researching materials and manufacturing processes for our future products. He is backed up by Ngan and 170 production staff.

YOUR BUZZ

The Buzz is suitable for low airtime pilots who are learning and discovering this wonderful sport as well as more experienced pilots who want maximum safety, performance and fun. The Buzz has everything you need to help your flying progress to higher levels. It will take you all the way to cloudbase and beyond with confidence, fuelling your addiction for aerial adventures.

Our aim whilst designing the Buzz, was to produce a 'low end' DHV 1-2 which has Ozone's trademark handling, safety and performance. It has been certified at DHV 1-2 with nearly all of the tests passing DHV1. Dav and the team have worked hard to create a forgiving wing whilst maintaining the handling and feedback a pilot needs to learn and progress.

On the ground the Buzz is superb. Alpine and reverse launches are simple, inflation is smooth and progressive with a positive pressure through the risers; this makes it easy to feel exactly where the glider is. Launches are easy to control as the wing has very little tendency to over fly the pilot.

In the air the Buzz is a joy to fly, brake pressure is perfect, building continuously as more brake is applied and becoming progressively harder as the stall / spin point is reached. The Buzz offers just the right amount of feedback through the risers and brakes, helping you feel and learn about the thermals and rough air without overloading your senses with too much unnecessary information.

The wing is well damped in pitch, this helps it cut through turbulence efficiently, making it very resistant to deflations and improving its re-inflation characteristics.

Handling is amazing, changes in direction are no problem as it bites into thermals and carves into turns. Roll rate is good and can be easily controlled with a little outside brake while soaring or thermalling. Smooth and flat or banked up - cranking it round, either way you'll love it!

Sink rate and glide performance are excellent for a wing with such safety, making your route to cloudbase and XC's that much easier.

The Buzz has a large useable speed range to help you out on the sinky glides or when you need to push into a headwind. At full speed the leading edge remains solid, even in turbulence.

The Buzz is a perfect choice for new pilots or for those seeking unparalleled security and performance. It will take you as far as you want to go whilst inspiring you with confidence and putting a smile on your face. We love to hear feedback on our wings, good or bad, so let us know about your adventures with your Buzz.

Bag

The bag has been designed to be comfortable and useful (padded hip belt, ergonomic and adjustable shoulder straps). Its large volume will allow you to store all your kit whilst still being comfortable for hiking. We've also added some pockets on the side and on the top, handy for all those easily lost accessories.

Brake Lines

The brake line lengths have been set carefully during testing. We feel it is better to have slightly long brake lines and to fly with a wrap (one turn of line around the hand). However, if you do choose to adjust them, please bear in mind the following:

- Ensure both main brake lines are of equal length.
- If a brake handle has been removed, check that its line is still routed through the pulley when it is replaced.
- When the brake handles are released in flight, the brake lines should be slack. There must be a substantial "bow" in them to guarantee no deformation of the trailing edge.
- There must be a minimum of 10cm of free play before the brakes begin to deform the trailing edge. This prevents the trailing edge from being deformed when using the speed system.

IMPORTANT : In the unlikely event of a brake line snapping in flight, or a handle becoming detached, the glider can be flown by gently pulling the rear risers (C-risers) for directional control.

Risers

To make the glider simple to fly, we've designed the BUZZ with only 3 risers. Each riser is covered with coloured webbing, which makes them easy to identify.

The A's are RED. You will notice that the A's are split in two parts.

The small riser on the back, holding only one line, is the "Baby A"; it has been designed to make applying "Big Ears" simple.

The B's are BLUE

The C's are BLACK.

Accelerator System

To set up an accelerator on the ground, ask a friend to pull your risers into their in-flight position whilst you sit in your harness. Now adjust the length of the line so that the main bar sits just beneath your seat. You should now be able to hook your heel in to the secondary (lower) loop of the accelerator.

The accelerator must be slack enough to ensure that the front risers are not pulled down in normal flight, but not so long that it is impossible to use the full speed range of the BUZZ.

Extending the secondary (lower) loop of the accelerator fully will take the BUZZ through approximately half its accelerated speed range. This is as much speed as you will normally need in general flight. Should you need even more speed you should hook your feet on to the upper bar, which you can then extend until the pulleys on the risers touch.

Once set up test the full range of the accelerator in calm flying conditions; ensure that both risers are pulled evenly during operation. Fine-tuning can be completed when you are back on the ground.

IMPORTANT : For better penetration in headwinds you can fly faster by using the accelerator system. Using the accelerator decreases the angle of attack and can make the glider more likely to collapse, therefore using the accelerator near the ground should be avoided.

We would advise you not to use the accelerator when flying in turbulence. Inexperienced pilots are recommended not to use the accelerator system until they are fully accustomed to the glider. Although all gliders are designed and tested with an accelerator system, most experienced pilots hardly ever use the full speed range, especially in turbulent conditions.

Harness

It will be in your harness that you will enjoy flying... Therefore, we recommend you spend the time necessary to adjust your harness's different settings, which will make flying more pleasurable, because you are comfortable.

The shoulder's straps and the hip's strap are the ones to set (make sure you do not have your shoulder's strap too tight, or you might find it difficult to get seated after launching). Your ideal position in your harness should be sat, with your back leaning slightly backwards.

The chest strap should be set at 42, 44, 46cm (between the centres of the risers) for sizes S, M, L respectively.

Total weight in flight

Each BUZZ has been certified for a defined weight range. We recommend that you respect these weight ranges. If you are between sizes the following information may help you make a decision as to which size to buy:

If you want better speed, precise handling, if you generally fly in mountains and/or in strong conditions, you should chose to fly in the top part of the weight range.

If you want a better sink rate, if you generally fly in flat lands and/or in weak conditions, you should chose to fly in the bottom part of the range.

7 BASIC FLIGHT TECHNIQUES

To familiarise yourself with the glider it is a good idea to perform practice inflations and small flights on a training hill. This will enable you to set up your equipment correctly. If in any doubt please get advice and help from your local dealer or instructor.

Preparation

Lay out the BUZZ on its top surface in a pronounced arc, with the centre of the wing higher than the tips. Lay out the lines one side at a time. Hold up the risers and starting with the brake lines, pull all lines clear. Repeat with the C, B and A lines, laying the checked lines on top of the previous set, and making sure no lines are tangled, knotted or snagged. Mirror the process on the other side.

Take-off check list:

1. Check reserve parachute - pin in and handle secure
2. Helmet on and fastened
3. All harness buckles closed - check leg-loops again
4. Karabiners and maillons tight

5. Holding the A's and your brake handles
6. Leading edge open
7. Aligned directly into wind
8. Airspace and visibility clear

Launching

Your BUZZ will launch with either the forward or reverse techniques. Whilst inflating your wing, you should hold both of the A risers (main A and babyA) on each side. Once clipped in, and you have gone through the take-off check list (above), stand central to the wing to ensure an even and progressive inflation.

Forward Launch - Nil to Light winds

When the wind is right, move forward, your lines should become tight within one or two steps. The BUZZ will immediately start to inflate. You should maintain a constant pressure on the risers until the wing is overhead.

Don't pull down or push the risers forward excessively, or the leading edge will deform and make taking-off difficult.

Move smoothly throughout the entire launch, there is no need to rush or snatch at it. You should have plenty of time to look up and check your canopy before committing yourself.

Once you are happy that the BUZZ is inflated correctly, accelerate smoothly off the launch.

Reverse Launch -Light to Strong Winds

Lay out your BUZZ as you would for the forward launch. However, this time turn to face the wing, passing one entire set of risers over your head as you turn. Now you can pull the BUZZ by it's A-risers. Once the wing is overhead, brake it gently, turn and launch.

In stronger winds, be prepared to take a few steps towards the glider as it inflates. This will take some of the energy out of the glider and it will be less likely to over fly you. This reverse-launch technique can be used in surprisingly light winds too.

IMPORTANT: Never take off with a glider that is not fully inflated or if you are not in control of the pitch/roll of your wing.

Practice ground handling a lot! It's great fun, and will give you a much better feel for your BUZZ's flight characteristics. It will also improve your overall enjoyment of flying by making your launches easier.

In Flight Characteristics

The Buzz shows no unusual flying characteristics, consequently it is suitable for a very wide range of pilot. In turns, the BUZZ is smooth and co-ordinated, on glides it remains solid and well pressured, even through the accelerated speed range. It has a very high resistance to both collapses and stalls. However, to get the most out of your BUZZ we advise you to consider the following information.

Normal Flight

Flying at 'trim speed' (hands-up), your glider will achieve its 'best glide' speed. Apply the brakes approximately 30cm to reach the minimum-sink rate. To increase your speed for headwind glides, use the accelerator bar which will give you an increase in speed of up to 10km/h.

Active Flying

To minimise the likelihood of suffering collapses in turbulent conditions, it is essential to use active flying.

All good pilots react to the feedback the gliders send them, and are constantly adjusting their speed and pitch to match the movements of the air. The key elements of active flying, are pitch control and pressure control:

As the glider pitches in front of you, use the brakes to slow it down. Equally, as the glider drops behind you, release the brakes to allow it to speed up.

Flying with a bit of brake applied (approx 20cms) will give you feedback from the wing. In turbulent conditions the internal pressure of the wing can change and you can feel this through the brakes. The aim is to maintain a constant pressure through the brakes. If you feel a loss in pressure apply the brakes until normal pressure is resumed then raise hands back to original position (this must be done quickly). Avoid flying with continuous amounts of brake in rough air as you could inadvertently stall the wing. Always consider your airspeed.

These movements can be symmetric or asymmetric; you may have to apply both brakes or just one. These subtle adjustments will keep the glider flying smoothly and directly above you and dramatically reduce the chances of a collapse. These are skills are best learnt by playing with the glider on the ground!

IMPORTANT: No pilot and no glider are immune to collapses however active flying will virtually eliminate any tendency to collapse. When the conditions are turbulent, be more active and anticipate the movements of your wing. Always be aware of your altitude and do not over-react. We advise you to keep hold of your brakes. Do not fly in turbulent conditions.

Turning

To familiarise yourself with the BUZZ your first turns should be gradual and progressive.

To make efficient and co-ordinated turns with the BUZZ first look in the direction you want to go, then lean into it. Your first input for directional change should be weight-shift, followed by the smooth application of the brake until the desired bank angle is achieved. To regulate the speed and radius of the turn, use the outer brake.

IMPORTANT : never initiate a turn at minimum speed (i.e. with full brakes on) as you could risk entering a spin.

Landing

The BUZZ shows no unusual landing characteristics but as a reminder, here are some tips.

- Always set up your landing early, give yourself plenty of options and a safe margin for error.
- Once below 30 metres avoid turning tightly as the glider will have to dive to accelerate back to normal flight. If you are at low altitude, or if you hit sink, this could mean you hit the ground harder than necessary.
- Instead, allow the glider to fly at glide at full speed for your final descent until you are around 1 metre above the ground. Apply the brakes slowly and progressively to slow the glider down until the glider stalls and you are able to step on to the ground.
- Be careful not to flare too hard at full speed as the glider might climb again before stalling. If the glider does begin to climb, ease off the brakes until it stops climbing, then flare again, but slower this time. If this does happen, don't put your hands up! You should keep the brakes at mid speed, stand up, be ready to run and make sure you brake fully as you arrive on the ground.
- Lean forward out of your harness before the actual landing (especially if it's turbulent), with your weight leaning forward against the chest strap, and make sure your legs are ready for the landing and a possible PLF.

- Choose the appropriate approach style in function of the landing area and the conditions.
- Always land heading into wind!
- In light winds you need a strong, long and progressive flare to bleed off all your excess ground speed. In strong winds your forward speed is already low so you are flaring to soften the impact as you touch down.
- In strong winds you need to turn towards the glider the second your feet touch the ground. Once facing the wing pull smoothly and symmetrically down on the brakes to stall the wing. If the glider pulls you, then run towards it.
- If the wind is very strong, and you feel you might be dragged, stall the glider with the C risers. This stalls the Buzz in a very quick and controllable way and will drag you less than if you use the brakes.

Packing

- Spread the glider flat on its top surface, then lay the lines on top. The risers should be laid on the ground, at the centre of glider, near the trailing edge.
- Take a wing tip and fold it in to the centre of the wing. Repeat this until the glider is folded up and approx. 60 cm's wide.
- Do the same to the other side of the glider. Always make sure that the leading edge is kept in one straight line, as it is important not to badly crease the reinforcing fabrics in the leading edge.
- Don't fold the glider along the same lines every time; any type of folding reduces the strength of the fabric over time.
- Push out any remaining air by flattening the folded wing from the trailing edge to the leading edge.
- Fold the glider so that the bundle is approximately the size and shape of the OZONE rucksack. Never roll the wing up as this introduces unnecessary stresses into the fabric.
- Always pack your Buzz as loosely as you can, as every fold weakens the cloth on any paraglider.
- Finally, wrap the glider tie around the bundle and put it in the stuff sack.
- Packing your glider using the concertina method, keeping the mylar stiffeners flat may prolong the life your glider.

ADVANCED FLIGHT TECHNIQUES

Rapid Descent Techniques

Ozone would like to remind you that these manoeuvres should be learnt under the supervision of a qualified instructor and always used with caution. Never forget that properly analysing the conditions before launch will help avoid the need to use these techniques.

Big Ears

Folding in the wingtips of the BUZZ increases its sink rate. This is useful for staying out of cloud or descending quickly. To pull big ears on the BUZZ, keep holding your brake handles and take the outermost A-line (Baby A) on each side, then pull it down until the tips of the wing fold under.

Do not use the brakes other than for re-inflation. For directional control while using the Big Ears, you should use weight shift steering. To reopen your ears, release the babyA : the glider should reopen automatically. You can still help the reinflation by braking gently, one side at a time to minimise the chance of inducing a stall.

IMPORTANT : You can land with the ears (you should release the ears before final flare). But Ozone don't advise you to do this when it's turbulent or windy due to the risk of a possible stall and lack of precision in steering.

Big ears and accelerator

Once the big ears are in you can further increase the sink rate by pushing on the accelerator bar.

NEVER try to pull the Big Ears in with the speed bar on. This can lead to a major asymmetric deflation.

Big ears and spiral dive

Whilst it is possible to enter a spiral dive whilst holding in Big Ears, the high forces applied to the lower lines could exceed the breaking strain of the lines leading to equipment failure!

Ozone do not recommend the use of this manoeuvre!

Wingovers

The OZONE Buzz is not designed for aerobatic flying. The limit is tightly banked S-turns, commonly known as wingovers. These must

not exceed 90 degrees of bank. Warning: uncoordinated wingovers can lead to large asymmetric collapses and therefore should never be executed near the ground.

B-Line Stall

B-stall is for fast descents in emergency situations only. B-stall is performed by symmetrically pulling down on the B-risers.

To initiate the B-stall place your fingers between the lines above the maillons on the B risers. Do not release the brake handles. As you pull the B-lines down the airflow over the wing is broken and the glider loses its forward speed but remains open and you will descend at around 6 m/s.

If you pull too much B-line the glider will horseshoe and move around a lot.

To exit the B-stall the B-risers should be released symmetrically and in one smooth, progressive motion. The glider will resume normal forward flight without further input. Check you have forward flight again before using the brakes.

IMPORTANT : The pitching movement on exiting the B stall is small but necessary. We recommend you do not brake the glider until you are sure that the glider is flying again. The load applied on the B lines during this manoeuvre is not very good for your glider, only use it in emergency situations.

Spiral Dives

If you turn your Buzz in a series of tightening 360's it will enter a spiral dive. This will result in rapid height loss. To initiate a spiral, look and lean in to the direction you want to go, then smoothly pull down on the inside brake. The Rush will first turn almost 360 degrees before it drops in to the spiral. Once in the spiral you must apply a little outside brake to keep the outer wing tip pressurized and inflated. Safe descent rates of 8 metres per second (500 ft/min approx.) are possible in a spiral dive, but at these rates the associated high speeds and G-forces can be disorientating, so pay particular attention to your altitude.

To exit the spiral dive, return your weight shift to a central position and then slowly release the inside brake. As the Rush decelerates allow it to continue to turn until enough energy is lost for it to return to level flight without an excessive climb and surge. The Rush shows

no indication of remaining neutral in the spiral dive, however some parameters could interfere with its behaviour such as; wrong settings of the chest strap (too wide), total weight in flight outside of the certified weight range, or being in a very deep spiral at a very high sink rate. You should always be prepared to pilot the wing out of such a spiral dive. To do so smoothly use opposite weight shift and apply a small amount of outside brake and the glider will start to resume normal flight. Never attempt to recover from a spiral with hard or quick opposite inputs as this will result in an aggressive climb and surge.

IMPORTANT : Spiral dives with sink rates over 8 m/s are possible, but should be avoided. They are dangerous and put unnecessary strain on the glider. Spiral dives cause disorientation and need time and height to recover. Do not perform this manoeuvre near the ground.

Incidents

Deep Stall / Parachutal stall

It is possible for gliders to resume their normal shape on a very slow release of the B-lines, but carry on descending vertically and without full forward motion. This situation is called 'deep stall' or 'parachutal stall'.

It is highly unlikely to happen on any OZONE glider, but should it happen, your first reaction should be to fully raise both brakes and the glider should return to normal flight. If nothing happens after a few seconds, reach up and push the A-risers forwards or apply the speeds bar to regain normal flight.

Ensure the glider has returned to normal flight (check your airspeed) before you use the brakes again.

IMPORTANT : only a few cms of input from your brakes can maintain your wing in the stall. Always release your wraps if you have taken them!

Deflations

Due to the flexible form of a paraglider, turbulence may cause a portion of the wing suddenly to collapse. This can be anything from a small 30% (asymmetric) collapse to a complete (symmetric) collapse

If you have a collapse, the first thing to do is to control your direction: You should fly away from the ground or obstacles and other pilots, or at least not to fly into them... Asymmetrical collapses can be controlled by weight shifting away from the collapse and applying a small amount of brake to control your direction. This act will most of the time be enough for a full recovery of the wing.

Once a glider is deflated it is effectively a smaller wing, so the wing loading and stall speed are higher. This means the glider will spin or stall with less brake input than normal. In your efforts to stop the glider turning towards the collapsed side of the wing you must be very careful not to stall the side of the wing that is still flying. If you are unable to stop the glider turning without exceeding the stall point then allow the glider to turn whilst you reinflate the collapse.

If you do have a deflation which does not spontaneously reinflate, make a long smooth progressive pump on the deflated side. This pumping action should take about 2 seconds per pump. Pumping too short and fast will not reinflate the wing and pumping too slow might take the glider too close, or beyond, the stall point.

Symmetrical collapses reinflate without pilot input, however 15 to 20cm of brake applied symmetrically will speed the process. If you simulate a symmetrical collapse during an SIV course it is important to use both the A and Baby A risers and to pull evenly to induce a symmetrical collapse. Use of just A risers or uneven pulling may lead to the glider collapsing only in the centre section with the tips flying forward to meet in the middle, leading to an increased risk of a cravat occurring.

If your Rush collapses in accelerated flight, immediately release the accelerator to slow down to trim speed and after a 90 deg turn the canopy will reinflate and return to normal flight.

Cravats

When the tip of your wing gets stuck in the lines, this is called a 'cravat'. This can make your glider go into a rotation which is difficult to control. The first solution to get out of this situation is to pull down the stabilo line (red line on the B riser), while controlling your direction, you must be careful with any brake inputs not to stall the opposite wing.

If this doesn't work, a full stall (symmetrical or asymmetrical) is the only

other option. This shouldn't be done unless you have been taught how to do it and can only be done with a large amount of altitude. Remember if the rotation is accelerating and you are unable to control it, you should use your reserve whilst you still have enough altitude.

IMPORTANT : A bad preparation on launch, aerobatic flying, flying a wing of too high a level or in conditions too strong for your ability, are the main causes of cravats.

ACROBATIC FLYING

A specific standard of certification for aerobatic flying has not been set up yet. Ozone wings although designed to the highest specifications are, therefore, not certified for this type of flying. As Aerobatic manoeuvres are very difficult and incorrectly performed manoeuvres can put abnormal stresses on the glider and lead to loss of pilot control, Ozone strongly recommend you not undertake this style of flying.

TOWING

The BUZZ may be tow-launched. It is the pilot's responsibility to use suitable harness attachments and release mechanisms and to ensure that they are correctly trained on the equipment and system employed. All tow pilots should be qualified to tow, use a qualified tow operator with proper, certified equipment, and make sure all towing regulations are observed.

When towing you must be certain that the paraglider is completely over your head before you start. In each case the maximum tow force needs to correspond to the body weight of the pilot.

PARAMOTRING

The BUZZ has been certified for paramotoring, see the website for details. Its easy launch characteristics and its high stability at speed make it a very good wing for this activity. OZONE provides as optional risers especially designed for paramotoring: they are shorter than normal and are equipped with trimmers.

We recommend you undertake qualified training before flying your wing with a paramotor.

MATERIALS

All OZONE gliders are made from the highest quality materials available. Your Ozone BUZZ is constructed from:

Upper-surface

Gelvenor

Double silicone-coated and polyurethane-coated Ripstop Nylon
Selected for its durability and resistance to both UV damage and general wear and tear. In the air and on the ground the top surface of your glider takes more abuse than any other part, hence we choose Gelvenor for the top surface of all our wings.

Lower-surface

Porcher-Marine 37 g/m2 Polyurethane coated Ripstop Nylon

Probably the most commonly used fabric in paraglider construction. Porcher Marine has been tried, tested and proven to be the most effective all round fabric.

Internal Ribs

Porcher-Marine 45 g/m2 and 37 g/m2 High tenacity Skytex+ Ripstop Nylon.

Selected for stability and resistance to stretch - vital if a glider is to keep its safe-flying characteristics for a long time.

Leading-edge reinforcement

Double-laminated Mylar.

Selected for long-term durability. Keeping the leading edge shaping precise ensures that your glider's characteristics remain consistently good season after season.

Lines

Lower cascades - Edelrid Aramid, 6843 series - 200 kg's breaking strength - 1.8 mm

This line is the reference for its high strength and its low stretch in the time.

Middle cascades - Liros DSL - 140 kg's breaking strength - 1.1 mm

Upper cascades - Liros DSL - 70 kg's breaking strength - 0.95 mm
Special heat treated dyneema in a ultra finely woven sheath creates a line material that is, not only highly resistant to damage through wear and tear, but also incredibly light weight too.

Risers and hardware

Shackles - High quality micro maillons from Maillon Rapide.

Riser webbing - 20mm zero stretch polyester webbing.

Pulleys - Austri Alpin aluminium mini pulleys with brass roller.

All these components have been selected for their renowned quality and durability.

CARING FOR YOUR BUZZ

Many paragliders are damaged by careless ground handling. Here are some things to avoid in order to prolong the life of your aircraft :

- DO NOT drag your wing along the ground to another take-off position - this damages the sailcloth. Lift it up and carry it.
- DO NOT try to open your wing in strong winds without untangling the lines first - this puts unnecessary strain on the lines.
- DO NOT walk on the wing or lines.
- DO NOT repeatedly inflate the glider and then allow it to crash back down. Try to keep this movement as smooth as possible by moving towards the glider as it comes down.
- DO NOT slam your Buzz down on the ground leading edge first! This impact puts great strain on the wing and stitching and can even explode cells.
- FLYING in salty air, in areas with abrasive surfaces (sand, rocks etc.) and ground handling in strong winds will accelerate the aging process.

It is recommended that you regularly CHECK your BUZZ, especially after a heavy period of use, after an incident or after a long period of storage.

Storage

Always store all your flying equipment in a dry room, protected from the direct heat.

Your wing should be dry before being packed away. Heat and humidity are the worst factors in damaging your glider. (Storing a damp glider in your car under the sun would be terrible for example). Dry your wing preferably out of the sun, in the wind. Never use a hair dryer, etc.

If you land in the salt water, you must clean it with fresh water first and then dry it.

Take care that no insects get packed away with the wing they may eat the cloth and make some holes in a bid to escape, they can also leave acidic deposits if they die and decompose.

Cleaning

Any kind of wiping/scratching can damage the coating of the cloth. We recommend for cleaning your BUZZ, you use a soft cloth dampened only with water and to use gentle movements little by little across the surface.

Never use any detergent or chemical cleaners

Wing Repairs

Amateur repairs can do more harm than good. Always let a registered dealer or the manufacturer carry out major glider repairs.

If you damage the sail:

If the rip is small, you can fix it yourself. You'll find all the materials in the repair kit you need.

On the Gelvenor fabric, because of the silicon coating, the sticky ripstop will not stick. You will have to use a very thin coat of silicone glue, available from DIY shops, to stick a piece of Gelvenor cloth on the tear.

The Porcher Marine fabric can be simply mended with the sticky rip stop / spinnaker tape.

When cutting out the patch remember to allow ample overlap around the tear and round the corners of the patch.

You can find more information about repairing your wing on the Ozone website, including step by step instructions with pictures.

If you damage a line:

Any line that is damaged should be replaced. It is important that the replacement line is from the same material, has got the same strength and the same length. You can check its length against its counterpart on the other side of the wing, to make sure that it is symmetrical. Once the line has been replaced, inflate and check the glider before flying. If you do not have access to an Ozone dealer you can order individual lines at www.flyozone.com (or

www.aerorosport.de if you are from Germany or Austria).

Caring Tips

- Your Ozone wing has got an opening closed using velcro on the trailing edge of the tip called 'butt hole'. This has been designed to easily empty all the things which have been accumulating in your wing (sand, leaves, rocks, mobile phones etc).
- If you fly with a wrap, you should regularly undo the twisting that appears on the main brake lines. By twisting the line become shorter and you can end up with a constant tension on the trailing edge (which can lead to problem on launch, stalling, glider not flying symmetrically, ...)
- Change your main brake lines if they are damaged.

MAINTENANCE CHECKS

Your wing, like a car, should be technically checked to ensure proper airworthiness.

If you ever sell your BUZZ, you should give to the buyer the actual revision certificat.

Your wing should be checked by a qualified professional for the first time after 30 months, and thereafter every 24 months.

However, if you are a frequent flyer (more than 80 hrs per year), then we recommend, that you get your glider checked after every flying season.

If your glider is used professionally for training purposes or for professional tandem flying then a complete maintenance check must be carried out every 12 month.

The checker should inform you about the condition of your glider and if some parts will need to be checked or changed before the next normal service check period.

The sail and the lines don't age in the same way : it is possible that you'll have to change part or all of the lines during your wings life. This is why it is also important to do a regularly check up to know the condition of all the components of your glider.

We recommend that the check up is carried out by a qualified

professional.

You are responsible for your flying kit and your safety depends on it. Take care of it and have regularly a inspect all of its components. Changes in a wings flying behaviour, are also indicators of the gliders aging, if you notice any changes you should have the wing checked before flying again.

These are the basic elements of the check up (full details and permissible figures can be found on our website):

Porosity is measured with an porosity meter, the time taken by a certain volume of air to go through a certain surface of the cloth. The time in seconds is the result. A measurement is done in a several places on the top surface along the span of the glider behind the leading edge.

The tearing resistance of the cloth - A non-destructive test following the TS-108 standard which specifies minimum tear strength for sky diving canopies is executed. .

Strength of the line - The centre lines are tested: The uppers, the middles, the lowers on the A, B, Cs are all measured. The reason for this is because these are the lines which bear most of the loads. Each line is tested on a testing table where they are pulled until they break. The breaking value is recorded. The minimum value is 8 G for all lower A+B lines and 6 G for all lower remaining lines, calculated from the maximum certified flying weight of the glider. The added minimum strength for middle lines and top lines is the same.

If the breaking strength is too close to the minimum value calculated, the professional will give a period after which you'll have to test the strength of the lines again.

Lengths of the lines - The overall length (riser lines + mid lines + upper lines) has to be checked under 5DaN of tension. The difference between the measured length and the original length should not exceed +/- 10mm.

The changes that could appear are a slight shrink on the C and a slight stretch on the A, B. The consequences of these changes can include a slower trim speed, difficult inflation etc.

Full check - A full visual check should be carried out: All the

components of the wing (stitching, ribs, diagonals, lines, tabs, ...) should be checked.

Finally, if in doubt, a flight test that confirms that the wing behaves normally can be done by the professional..

IMPORTANT : Take care of your glider and make sure you have it checked according to the above schedule: This will ensure you hours of safe flying.

MODIFICATIONS

Your Ozone Buzz was designed and trimmed to give the optimum balance of performance, handling and safety. Any modification means the glider loses its certification and will also probably be more difficult to fly. For these reasons, we strongly recommend that you do not modify your Buzz in any way.

OZONE QUALITY & SERVICE

At Ozone we take the quality of our products very seriously, all our gliders are made to the highest standards in our own manufacturing facility. Every glider manufactured goes through a stringent series of quality control procedures and all the components used to build your glider are traceable. We always welcome customer feedback and are committed to customer service. We will always undertake to fix problems not caused by general wear and tear or inappropriate use. If you have a problem with your glider please contact your dealer/distributor who will be able to decide upon the most appropriate action. If you are unable to contact your dealer then you can contact us directly at info@flyozone.com

SUMMARY

Safety is paramount in our sport. To be safe, we must be trained, practised and alert to the dangers around us. To achieve this we must fly as regularly as we can, ground handle as much as possible and take a continuous interest in the weather. If you are lacking in any of those areas you will be exposing yourself to more danger than is necessary.

Flying is an immense subject which takes years to learn, so let your experience build slowly, don't put pressure on yourself, you have plenty of time to learn as many people fly well into old age. If conditions aren't good now then pack up and go home, there is always tomorrow.

Don't overestimate your abilities, be honest with yourself. As the wise saying goes, 'it is better to be on the ground wishing you were in the air, than to be in the air wishing you were on the ground'.

Every year many pilots get hurt launching; don't be one of them. Launching is the time that you are most exposed to danger so practice it lots. Some launch sites are small and difficult and conditions aren't always perfect. If you're good at ground handling you'll be able to confidently and safely launch whilst others struggle. You'll be less likely to get hurt and more likely to have a great day's flying.

Ground handling is also a form of flying. It teaches you to be sensitive to your glider and to understand the feedback it sends you, so practice as much as you can.

Finally, RESPECT the weather, it has more power than you can ever imagine. Understand what conditions are right for your level of flying and stay within that window.

Happy flying & enjoy your Buzz.

Team Ozone

SOMMAIRE

Ozone Vous Remercie	17
Action!!!	18
L'Euïpe Ozone	19
Votre Buzz	19
Le Sac De Portage Ozone	20
Les Freins	20
Les Élévateurs	20
L'Accélérateur	20
La Sellette	21
Le PTV	21
Vols De Prise En Main	21
Préparation	21
Check List Avant Décollage	21
Décollage	21
Caractéristiques De Vol	22
Vol Normal	22
Pilotage Actif.....	22
Virage	23
Atterrissage	23
Pliage	23
Vols Avancés	24
Techniques De Descente Rapide	24
Les Oreilles	24
Oreilles Et Accélérateur	24
Oreilles Et 360	24
Wing Over	24
Descendre Aux B	24
360 Engagés	24
Incidents De Vol Et Recommandations	25
Parachutal	25
Fermetures	25
Cravates	26
La Voltige	26
Treuil	26
Paramoteur	26
Matériaux De Fabrication	27
Précautions Générales	27
Rangement	28
Nettoyage	28
Réparation	28

Astuces	28
Révision	28
Modification	29
Qualité Ozone	30
Conseils Généraux	30
Disposition Des Élévateurs	49
Carte de suivie	



PHOTO : CHARLIE KING

OZONE VOUS REMERCIE

d'avoir choisi de voler sous une BUZZ.

L'équipe OZONE, constituée de passionnés de vol libre, se consacre à la fabrication d'ailes agiles, d'une maniabilité très caractéristique, optimisant d'incontestables performances tout en vous assurant la sécurité dans la turbulence.

Notre travail de recherche et de mise au point se concentre sur le meilleur compromis maniabilité/sécurité. Confiance en soi et en son matériel constitue une garantie de progression et de réussite bien plus importante que des performances pures et chiffrées. Demandez aux compétiteurs et aux aventuriers qui accomplissent exploits et résultats sous leurs parapentes OZONE!

Enfin, toujours en tant que pilotes, nous avons conscience de l'importance de la dépense que représente l'achat d'une aile. Le rapport qualité / prix exige une production irréprochable pour faire la différence. Afin de maîtriser les coûts de production tout en assurant la plus grande qualité de fabrication, nous fabriquons désormais nos produits dans notre propre usine. Cette solution nous garantit aussi une qualité de contrôle parfaitement fiable.

L'équipe des pilotes est basée dans le Sud de la France. Cette région avec les sites de Gourdon, Roquebrune et le Lachens garantit 300 jours de vol par an. C'est un atout incontestable pour la mise au point de la gamme OZONE.

Ce manuel de vol vous aidera à obtenir le meilleur de votre BUZZ. Vous y trouverez des explications détaillées concernant sa création ainsi que des astuces et conseils pour savoir comment la piloter au mieux, en assurer le meilleur entretien afin de préserver sa longévité et donc son prix de revente sur le marché d'occasion. vous trouverez à la fin de ce manuel les spécifications techniques de votre parapente: le diagramme de montage des suspentes ainsi que leurs longueurs. Gardez ces données techniques, elles vous seront nécessaires en cas de remplacement d'une ou plusieurs suspentes.

Si vous avez besoin d'informations complémentaires, votre revendeur, votre école ou l'un d'entre nous chez OZONE restons à votre disposition.

Avant de voler sous votre BUZZ pour la première fois il est très important que vous lisiez attentivement ce manuel de vol.

Si vous revendez votre Buzz assurez vous de transmettre ce manuel au futur propriétaire .

Sur notre site web www.flyozone.com une mise à jour permanente vous informera des dernières communications concernant notamment la sécurité et les spécifications techniques de votre Buzz. Merci de consulter ce site régulièrement.

ACTION!!!!

Tous les sports aériens sont potentiellement dangereux et présentent des risques d'accidents dont les conséquences peuvent entraîner des blessures et des traumatismes graves voire mortels. En tant que propriétaire de cette Buzz d'Ozone, vous assumerez tous les risques liés à son utilisation.

Une utilisation inappropriée et ou un mauvais entretien de votre matériel accroissent ces risques.

Les parapentes Ozone conviennent aux pilotes qualifiés ainsi qu'en formation. En aucun cas le fabricant, l'importateur ou les vendeurs ne peuvent être tenus responsables quant à l'utilisation de ce produit.

Assurez votre formation dans des écoles compétentes. Entraînez vous régulièrement en contrôle statique au sol et autant que vous le pouvez. En effet un contrôle approximatif de l'aile sur les phases de gonflage et décollage est la principale cause d'accidents en parapente.

Continuez à vous former régulièrement afin de suivre l'évolution de notre sport, des techniques de pilotage et du matériel.

Ne volez qu'avec des ailes dûment homologuées et respectez la plage de poids, un harnais équipé d'une protection dorsale muni d'un parachute de secours. Votre matériel ne doit avoir fait l'objet d'aucune modification et doit être en bon état et révisé

régulièrement.

Une visite prévol de tout votre matériel et cela avant chaque vol est indispensable. N'essayez jamais de voler avec un équipement abîmé ou non adapté à votre expérience.

Volez toujours équipé d'un casque, de chaussures adéquates et de gants.

Tout pilote doit justifier d'avoir le niveau de formation et d'expérience requis et doit avoir souscrit au minimum à une assurance en responsabilité civile aérienne.

Vérifier que l'ensemble aile, harnais, expérience, conditions aérologiques, état physique et mental soit cohérent et respecté à chaque vol.

Accorder une importance toute particulière à l'endroit où vous allez voler ainsi qu'aux conditions météo. Si un doute existe abstenez vous de voler et de toutes façons ménagez vous d'importantes marges de sécurité.

Eviter absolument de voler sous la pluie, la neige, dans du vent fort, en conditions turbulentes et les nuages.

Seulement si vous faites toujours preuve de rigueur dans vos jugements, vous vivrez alors de nombreuses et heureuses années de vol.

Le plaisir est le moteur de votre activité.

L'EQUIPE OZONE

Toute l'équipe Ozone est animée depuis le début par la même passion du vol et de l'aventure. Cette passion, vous la retrouvez dans cette quête où nous cherchons à créer des parapentes encore plus ludiques, encore plus sûrs et meilleurs.

La conception des parapentes est dirigée par le pensif Dav Dagault et par Rob Whittall, 'celui qui n'arrête jamais', tous deux pilotes de renommée, dont l'immense expérience acquise en compétition et au travers de multiples aventures est désormais canalisée dans leur création. Ensuite interviennent les pilotes tests : Jérôme Canaud, un réel esprit acro ainsi que Russel Ogden, compétiteur de haut niveau, tous deux étant également instructeurs de parapente. Ils font subir toute sorte de séries de manoeuvres aux derniers protos de Dav.

De retour au bureau Mike "Da Boss" Cavanagh et Sam Lowe veillent au bon fonctionnement général de l'entreprise.. Claire Drury quant à elle met tout en oeuvre pour que votre aile soit livrée le plus rapidement possible. Cachés dans un coin, évitant de se faire mal en jetant un coup d'oeil aux conditions dehors, Marcus King et Emmanuel Prissette s'occupent de la publicité, des vidéos, brochures ... et gèrent l'informatique en général. Un nouveau venu, Ivan Bellia qui a la charge de la nouvelle partie accessoires. Karine Marconi s'assure de la comptabilité et que nous ne dépensons pas trop d'argent. Vous aurez la chance en nous téléphonant d'être accueilli par la charmante voix de Nicky Watts.

Notre usine de production est dirigée par Dc Dave Pilkington, qui travaille sans répit à fabriquer les ailes Ozone et les différents prototypes, ainsi qu'à prospecter de nouveaux matériaux et de nouvelles techniques de fabrication pour les produits futurs. Il est secondé par Ngan et dirige 170 employés.

VOTRE BUZZ

La Buzz s'adresse aux pilotes occasionnels qui apprennent et découvrent ce formidable sport aussi bien qu'aux pilotes plus expérimentés à la recherche d'un maximum de sécurité, performance et plaisir. La Buzz a tout ce dont vous avez besoin pour progresser à tous niveaux.

Notre objectif en concevant la Buzz était de produire une "DHV 1-2" facile tout en gardant la maniabilité Ozone, la sécurité et la performance. La Buzz a été homologuée en Dhv 1-2 avec presque tous les tests en DHV 1 (sauf accélérés). Dav et l'équipe des pilotes ont travaillé dur pour créer cette aile tolérante tout en conservant une bonne maniabilité et sensations dont le pilote a besoin pour progresser.

En contrôle au sol, la Buzz est superbe. Les gonflages dos ou face à l'aile sont simples. La montée est douce et progressive avec une pression constante sur les élévateurs, ceci permet au pilote de toujours sentir où l'aile se situe pendant la montée. Le contrôle en tangage est évident avec très peu de tendance à dépasser.

En l'air la Buzz est un plaisir, la pression aux commandes est parfaite, augmentant graduellement au fur et à mesure jusqu'à devenir plus importante quand le point de décrochage est atteint. La Buzz offre un feedback très juste à travers les freins et les élévateurs, pour vous aider à progresser dans le thermique et améliorer votre pilotage en air turbulent sans toutefois vous submerger par trop d'informations inutiles.

L'aile est solide en tangage, permettant de traverser efficacement les zones turbulentes par une bonne résistance aux fermetures, mais aussi en améliorant les caractéristiques de réouverture.

La maniabilité est surprenante, les changements de direction aisés tant pour mordre dans le thermique que pour recentrer un virage. L'inclinaison en virage est facilement contrôlable en soaring ou thermique par une légère action sur la commande extérieure. Virages doux, à plat ou sur la tranche, "ça va bien le faire, comme vous l'aimez".

Le taux de chute et la finesse sont excellents pour une aile si sûre, la

montée aux nuages et le cross en seront d'autant plus faciles.
La large plage de vitesse utilisable de la Buzz vous aidera à sortir des zones descendantes ou à pénétrer un vent de face.

La Buzz est un choix judicieux pour les nouveaux pilotes ou pour ceux recherchant un excellent compromis sécurité/performance. Elle vous emmènera loin, en confiance et avec le sourire garanti après chacun de vos vols.

Enfin nous sommes toujours très heureux d'entendre vos critiques sur nos ailes, bonnes ou mauvaises, alors n'oubliez pas de nous tenir au courant de vos aventures avec la Buzz.

Le sac de portage OZONE

Le sac est étudié pour avoir un portage confortable et efficace (ceinture matelassée et bretelles ergonomiques réglables) tout en gardant un volume adapté à tout votre matériel de vol. Les poches latérales et supérieures facilitent le rangement de l'ensemble de votre équipement. La sangle de compression et le sac de voile garantissent un bon maintien de votre voile une fois pliée.

Les freins

Les freins sont pré-réglés en usine et vérifiés.

Ceux-ci seront légèrement longs car nous pensons qu'il vaut mieux avoir à piloter avec éventuellement un "tour de freins" autour des mains ou prise en dragonne. (meilleure précision de pilotage).

Mais si jamais ce réglage d'origine ne vous convenait pas, et que vous décidiez de modifier celui-ci, vous devez absolument respecter les précautions suivantes:

- Assurez-vous de la parfaite symétrie des longueurs des deux freins.
- Si une poignée de frein a dû être détachée de sa suspente, vérifiez que la suspente rattachée à nouveau passe bien dans sa poulie et empreinte le bon chemin. Le noeud de chaise est le plus adapté pour la liaison poignée/drisse de frein.
- Quand les poignées de freins sont lâchées en vol, le suspentage de freins doit décrire le profil d'un arc (lobe) depuis le bord de fuite jusqu'aux élévateurs et non pas être tendu comme les autres suspentes afin de ne pas brider ni déformer ce bord de fuite.
- Il doit y avoir une garde, un jeu d'au moins 10 cm entre le départ

de votre action à freiner et le début de déformation du bord de fuite. Ce jeu permet d'utiliser l'accélérateur sans déformer le bord de fuite.

IMPORTANT - Si jamais une poignée de frein venait à se détacher ou à casser, vous pourrez toujours vous diriger et piloter en utilisant les 2 élévateurs arrière. Attention l'amplitude de traction doit être plus faible pour obtenir un virage, utilisez également votre sellette.

Les élévateurs

Nous avons privilégié la simplicité et avons conçu la BUZZ avec seulement 3 élévateurs. Chaque élévateur est recouvert d'une sangle de couleur différente, afin de pouvoir les identifier au sol comme en l'air, rapidement et sûrement.

- Les A sont Rouges. Vous noterez que les A sont divisés en deux. Le brin qui se trouve à l'arrière, ne comportant qu'une seule suspente est le " BabyA ". Il vous permet de faire les oreilles aisément tout en gardant les commandes de freins en main.
- Les B sont Bleus
- Les C ou arrières sont Noires

L'accélérateur

Il est à fixer à l'aide des crocs fendus sur le devant des élévateurs A. (ajuster ensuite la longueur et le faire passer dans les emplacements de la sellette prévus à cet effet).

Pour ajuster l'accélérateur, installez vous dans votre harnais posé sur le sol. Un assistant tiendra les élévateurs tendus vers le ciel, dans leurs positions de vol par rapport au pilote. Ajustez alors la longueur de la cordelette de façon à ce que la barre rigide de la pédale d'accélérateur (fournie avec la voile) soit à 10 cm sous votre harnais. Vos talons doivent alors pouvoir se poser facilement sur la sangle (partie souple de l'accélérateur).

Le réglage de l'accélérateur doit être suffisamment "long" pour qu'en vol normal, non accéléré, le système ne tire pas sur les élévateurs, mais assez court pour pouvoir accélérer à fond les jambes tendues. En poussant à fond sur la sangle (partie souple) de l'accélérateur vous devez atteindre la moitié de la vitesse que le système permet de gagner. C'est la vitesse accélérée la plus couramment utilisée : c'est là où on trouve le meilleur compromis vitesse, finesse, solidité.

Si vous avez besoin d'encore plus de vitesse, en poussant à fond le barreau principal (jambes tendues) vous parviendrez à la vitesse maximale, les poulies du système cousues sur les élévateurs sont alors en butée les unes contre les autres.

Lorsque ce système est installé, essayez le dans des conditions calmes. Assurez-vous de la parfaite symétrie de l'accélérateur. Ces essais vous permettront d'affiner au sol le réglage.

IMPORTANT : Pour mieux pénétrer un fort vent de face vous pouvez utiliser le système d'accélérateur. Son utilisation diminue l'angle d'incidence de l'aile et rend celle-ci plus sujette aux fermetures, il faut donc s'abstenir de s'en servir près du sol ou en aérologie turbulente. Les débutants ne doivent s'en servir qu'après être totalement habitués à leur aile. Si les tests d'homologation comprennent des vols accélérés, même les pilotes expérimentés s'abstiennent d'accélérer à fond et surtout par conditions turbulentes.

La sellette

C'est assis dans votre sellette que vous apprécierez le vol. Alors consacrez le temps nécessaire afin de trouver les réglages qui feront du vol un moment agréable, car confortable.

Le réglage de confort est obtenu par les différentes boucles de hanches et par les bretelles. (Ne serrez pas trop vos bretelles, vous auriez du mal à vous installer après le décollage). Votre position de vol idéale est assise et le dos légèrement incliné vers l'arrière. Le réglage de pilotage est réalisé avec la ventrale. Optez pour 42, 44, 46cm entre axes des élévateurs selon les tailles S, M, L.

IMPORTANT : N'oubliez pas que votre BUZZ a été homologuée avec ces écartements de ventrale. Ne pas respecter ces dimensions vous exposerait à voler avec une voile non homologuée !

Le PTV

Chaque taille de Buzz a été homologuée pour une fourchette de poids donnée. Nous préconisons de voler au milieu de ces fourchettes. Néanmoins il peut arriver que vous vous trouviez entre deux tailles ...

La réponse n'est pas simple et dépendra de plusieurs paramètres :

Si vous voulez privilégier la vitesse, la précision en virage, si vous volez généralement en montagnes et/ou en conditions fortes, vous pouvez envisager d'être plutôt dans la moitié haute de la fourchette. Si vous voulez privilégier le taux de chute, si vous volez en plaine et/ou en conditions faibles, vous pouvez envisager d'être plutôt dans la moitié basse de la fourchette.

VOLS DE PRISE EN MAIN

Pour un premier contact des gonflages au sol sont indispensables, ceci afin de découvrir votre BUZZ. Quelques petits vols en pente école permettront d'ajuster votre équipement. Aussi n'hésitez pas à demander conseil à votre revendeur ou à votre moniteur.

Préparation

Dépliez votre BUZZ sur son extrados en la disposant en arc de cercle, en descendant légèrement les bouts d'ailes. Séparer les 2 faisceaux de suspentes droite et gauche. Soulevez un groupe d'élévateurs et assurez vous que les suspentes sont "claires" sans tour ni boucle ni noeud en partant des freins puis les C, les B et enfin les A. Procéder de même avec l'autre groupe d'élévateurs.

Check-list avant décollage

1. Vérifier votre parachute de secours : aiguille du container et poignée du secours.
2. Casque ajusté et sangle d'attache fermée.
3. Toutes les attaches de sangles du harnais fermées. Vérifiez encore les attaches de cuisses.
4. Mousquetons et maillons fermés.
5. Bonne prise des élévateurs avant et poignées de freins.
6. Bord d'attaque ouvert.
7. Positionnez-vous correctement par rapport au vent.
8. Espace libre et bonne visibilité.

Décollage

Vous pouvez gonfler votre BUZZ face à la voile ou face à la pente, selon les conditions de vent et l'aspect du décollage.

Pour le gonflage, les deux sangles d'élévateurs A (A et BabyA) de chaque côté doivent être prises en main.

Une fois harnaché et après avoir vérifié la check-list de décollage,

positionnez-vous bien au centre de la voile pour réussir un gonflage homogène et progressif.

Décollage face à la pente par vent faible à nul
Quand le vent est bon (force et direction) avancez, vos suspentes doivent se tendre en deux pas. La BUZZ commencera à gonfler immédiatement. Maintenez une pression constante sur les élévateurs jusqu'à ce que l'aile soit au-dessus de votre tête.

A ce stade, ne tirez pas sur les élévateurs, ceci déformerait le bord d'attaque et menacerait le bon déroulement du décollage. Déplacez-vous toujours doucement durant tout le décollage. Il n'y a aucune raison d'accélérer brutalement. Vous devez avoir le temps de vérifier votre voile établie au dessus de vous avant de vous engager définitivement.

Si tout est correct, alors accélérez progressivement pour vous envoler.

Décollage face à la voile par vents faibles à forts
Préparez votre BUZZ comme décrit ci-dessus.

Faites face à la voile en effectuant un demi tour en passant le jeu entier d'élévateurs du coté extérieur à votre demi tour au dessus de la tête. Vous pouvez alors gonfler votre BUZZ en tirant les A vers et au dessus de vous. Une fois la voile au dessus de votre tête, freinez doucement, retournez vous et décollez.

Par vent fort avancez quelques pas vers la voile pendant le gonflage. Ceci permettra d'absorber une partie de l'énergie du gonflage et vous aidera à éviter d'être dépassé par le bord d'attaque.

IMPORTANT

Nous vous déconseillons vivement d'envisager un décollage avec une aile partiellement gonflée ou avec un contrôle approximatif en roulis et tangage.

Pratiquez encore et toujours intensément les exercices et les gonflages au sol. C'est d'abord très amusant et rien ne vous permettra aussi efficacement d'anticiper et de maîtriser les réactions de votre BUZZ en vol. Vous améliorerez votre pilotage ainsi que votre technique de décollage.

Caractéristiques de vol

La BUZZ ne présente pas de caractéristiques de vol spéciales et convient à la plupart des pilotes en phase d'apprentissage et au delà. En virage la BUZZ est douce et homogène, en transition elle reste solide et bien en pression sur toute sa plage de vitesse et même accélérée.

Afin d'optimiser au mieux votre BUZZ nous vous conseillons néanmoins de lire attentivement ce qui suit.

Vol normal

En vol bras haut, la BUZZ offre alors sa meilleure finesse. Descendre les freins d'environ 30 cm pour obtenir le taux de chute mini. Contre le vent de face l'accélérateur vous permet de gagner 10 km/h.

Pilotage actif

Pour limiter les désagrèments des fermetures en conditions turbulentes, il est essentiel d'opter pour un pilotage actif. Tous les bons pilotes utilisent les informations que leur envoie leur voile dans la sellette et les freins. Ils ajustent en permanence leur vitesse et contrôlent le tangage pour épouser les mouvements de l'air. Les éléments du pilotage actif sont le contrôle en tangage et le contrôle de la tension des freins.

Si l'aile tend à les dépasser, utilisez les freins pour ralentir et arrêter ce mouvement. De même si l'aile tend à cabrer relevez les mains pour l'accélérer.

Voler en appliquant un peu de freins (environ 20cm) permet d'avoir les informations nécessaires de la voile. En turbulences la pression interne de l'aile peut changer et vous le ressentez à travers les freins. L'objectif est alors de maintenir une pression constante dans ceux-ci. Si vous ressentez une baisse de tension descendez le frein rapidement jusqu'à retrouver la tension de départ puis remontez la main. Il n'est pas nécessaire de voler en permanence avec beaucoup de freins, attention au point de décrochage en restant attentif à votre vent relatif.

Ces mouvements peuvent être symétriques ou asymétriques, vous devez être capable d'agir sur un frein ou les deux en même temps. Ces corrections subtiles permettent à l'aile de glisser et de réduire grandement les chances de fermetures. Tous ces réflexes s'apprennent le mieux en jouant avec votre aile au sol.

IMPORTANT: Aucun pilote , aucune voile n'est à l'abri d'une fermeture. Cependant un pilotage actif éliminera pratiquement toute tendance à fermer. En conditions turbulentes soyez plus actifs et anticipez les mouvements de votre voile. Soyez toujours conscients de votre hauteur et évitez de surpiloter. Nous vous conseillons de garder vos freins en main et de ne pas voler en conditions turbulentes.

Virage

Pour vous familiariser avec la BUZZ vous devez effectuer vos premiers virages graduellement et progressivement.

Pour réussir un virage efficace et bien coordonné sous votre BUZZ, vous devez regarder dans la direction où vous voulez aller, vous penchez dans votre sellette du côté intérieur au virage, puis accompagnez doucement avec le frein du même côté jusqu'à obtenir l'inclinaison en roulis désirée. Pour régler la vitesse et le rayon de ce virage, utilisez le frein extérieur.

IMPORTANT

En vol à vitesse minimum, pensez à relever votre main extérieure pour déclencher votre virage. Vous éviterez alors un départ en vrille (décrochage asymétrique).

Atterrissage

En finale, laissez votre aile voler à la vitesse maxi possible (selon les conditions aérologiques) jusqu'à 1 mètre sol pour freiner progressivement et complètement afin de ralentir jusqu'au décrochage en prenant contact doucement avec le sol en marchant. Faites attention de ne pas arrondir trop tôt et trop rapidement, vous provoqueriez une ressource suivie d'un atterrissage brutal. Dans le cas d'un freinage trop tôt, évitez de relever les mains mais mettez vous debout afin de vous réceptionner sur vos jambes.

Dans du vent faible à nul l'arrondi doit être complet sur tout le débattement, à l'inverse celui-ci peut être inexistant avec du vent fort. Dans ce cas, vous devez vous retourner face à la voile dès que vos pieds sont au sol pour freiner symétriquement et progressivement votre aile jusqu'au décrochage. Si en s'affalant votre aile vous tire avancez rapidement vers elle (la voile peut être affalée avec les élévateurs C pour limiter l'effet spi).

IMPORTANT : Anticiper toujours votre phase d'atterrissage

afin de vous donner assez de marge pour corriger une erreur éventuelle.

En approche, évitez toutes manoeuvres brutales et les virages à fortes inclinaisons.

Utilisez une méthode d'approche efficace et adaptée au terrain et aux conditions aérologiques (PTU, PTS...).

Posez toujours face au vent.

Penser à sortir tôt de votre sellette et ceci surtout en conditions aérologiques mouvementées à l'atterrissage et soyez en léger déséquilibre avant (appui sur la ventrale) lors de l'arrondi.

Pliage

- Étaler la voile sur son extrados à plat sur le sol, les suspentes sur l'intrados et les élévateurs dépassant le bord de fuite au centre de l'aile.
- Placer vous côté bord d'attaque au centre et rassemblez tous les intercaissons en les superposant. Répéter l'opération sur l'autre moitié puis superposer les 2 parties. Ce pliage est plus facile à réaliser à deux.
- Garder les parties en mylar à plat garantit de bonnes qualités de gonflage dans le temps.
- Évacuez l'air enfermé dans les caissons en chassant doucement celui-ci du bord de fuite (fermé) au bord d'attaque (ouvert).
- Finissez le pliage de manière à pouvoir emballer le tout dans le sous sac fourni.
- Pliez toujours votre BUZZ le plus amplement possible, sans serrer ni compresser.
- Maintenez l'aile repliée à l'aide de la sanglette puis rentrez l'ensemble dans le sous sac.

Techniques de Descente Rapide

OZONE vous rappelle que ces techniques restent des manoeuvres d'urgence et qu'une formation en école est indispensable pour les maîtriser. N'oubliez pas qu'une bonne analyse des conditions aérologiques et leurs évolutions vous évitera bien des soucis.

Les oreilles

Faire les oreilles accroît le taux de chute de la BUZZ. C'est une manoeuvre accessible de descente rapide, qui par exemple vous permettra de ne pas rentrer dans un nuage. Pour faire les oreilles, prenez le kit oreille (élévateur BabyA) de chaque côté en gardant les commandes en main et descendez les jusqu'à ce que les extrémités soient fermées.

Le pilotage s'effectue alors, uniquement à la sellette.

Pour rouvrir les oreilles, relâchez le kit oreille de chaque côté, la réouverture doit se faire automatiquement. Vous pouvez faciliter la réouverture en effectuant un freinage ample d'un côté puis de l'autre.

IMPORTANT : Il est possible d'atterrir avec les oreilles (on lâche le kit oreille de chaque côté avant le freinage final). OZONE vous déconseille de le faire en aérologie turbulente ou ventée près du sol (imprécision du pilotage et risque de parachutale). Cette technique ne s'improvise pas et nécessite un apprentissage en école.

Oreilles et accélérateur

Une fois les oreilles repliées, vous pouvez encore accroître votre taux de chute en poussant sur l'accélérateur.

Mais ne JAMAIS tenter de faire les oreilles pendant que vous volez accéléré. Cela peut provoquer une importante fermeture asymétrique.

Oreilles et 360

Il est possible de réaliser cette manoeuvre, mais l'effort se reportant sur un nombre de suspentes moindre, on se rapproche des valeurs critiques de résistance.

OZONE déconseille fortement cette technique.

Wing over

La BUZZ n'est pas conçu pour l'acrobatie. La limite étant des virages serrés et inclinés appelés 'wing overs'. Ceux-ci ne doivent pas dépasser 90 degrés d'inclinaison.

IMPORTANT : Mal coordonnés, ces virages peuvent provoquer une fermeture asymétrique importante. Ne jamais faire de wing overs près du sol.

Descendre aux B

Descendre aux B est une manoeuvre de descente rapide d'urgence uniquement. Le pilote tirera symétriquement vers le bas les élévateurs B.

Pour faire les B, placez vos doigts autour des suspentes des élévateurs B juste au-dessus des maillons. Ne relâchez jamais vos poignées de freins. Quand vous avez tiré sur les B vous "cassez" ainsi le flux d'air circulant autour du profil de votre aile qui cesse d'avancer mais qui reste ouverte et vous permet de descendre à environ 6m/s.

Si vous descendez trop les suspentes B votre aile se fermera en crevette et s'agitiera dans tous les sens.

Pour sortir de cette descente aux B, relâcher symétriquement et rapidement les 2 élévateurs B. Votre aile revolera normalement sans autre action de votre part. Vérifiez d'être bien revenu à un vol normal avant de vous servir des freins.

IMPORTANT : Le mouvement de tangage en sortie de "B" est très faible et nécessaire. Il est donc conseillé de ne pas freiner pour une bonne remise en vol de la voile.

C'est une manoeuvre d'urgence qui sollicite particulièrement la voile, n'en abusez pas.

360 engagés

Si vous effectuez une série de 360° engagés vous décrivez une spirale descendante, ce qui aboutit à une perte rapide d'altitude.

Pour commencer une spirale, regardez dans la direction où vous voulez évoluer, inclinez-vous dans votre sellette du côté du virage

puis descendez progressivement la commande. La BUZZ effectuera un tour complet avant de s'inscrire dans une spirale engagée. Lorsque vous serez engagé dans cette spirale vous devrez appuyer un peu sur le frein extérieur afin de garder la plume extérieure de l'aile gonflée.

Il est possible de chuter à 8 m/s dans une spirale relativement sûre, mais ces vitesses et ces accélérations (force G qui s'applique au poids du pilote) peuvent vous désorienter et vous devez donc surveiller particulièrement votre perte d'altitude.

Pour sortir d'une spirale engagée, remettez vous à plat dans la sellette puis remontez lentement le frein intérieur. Il est important de continuer à tourner pendant la décélération afin de diminuer la ressource en sortie de spirale. En effet une sortie trop brutale d'une spirale engagée entraîne une ressource importante suivie d'une abattée à contrôler. Entraînez vous à sortir progressivement en utilisant le transfert de poids dans votre sellette et le frein extérieur. La Buzz n'a aucune tendance à la neutralité spirale, néanmoins plusieurs paramètres peuvent interférer sur ce comportement comme une ventrale trop desserrée, un PTV hors fourchette de poids préconisée ou une spirale très engagée avec un fort taux de chute.

IMPORTANT: Les descentes en spirale peuvent dépasser les 8m/s, elles ne sont pas recommandées. De plus elle peuvent être dangereuses et contraignent inutilement le matériel. Les descentes en spirale désorientent le pilote et demande du temps et de la hauteur pour en sortir et retrouver un régime de vol normal. Vous ne devez jamais effectuer cette manoeuvre près du sol.

Incidents de Vol et Recommandations

Parachutale

Il peut arriver qu'à partir d'un relâché très lent d'une descente aux B (par exemple) votre aile continue à descendre sans avancer. Cette configuration de vol s'appelle une phase parachutale.

Il est très improbable que ceci advienne avec une voile Ozone. Mais si vous vous trouviez dans cette situation, relevez complètement les deux freins à la position de vitesse max. Si rien ne se passe après quelques secondes poussez sur les élévateurs A ou appuyez sur l'accélérateur. Assurez vous d'avoir retrouvé un vol normal en

vérifiant votre vent relatif avant d'utiliser à nouveau les freins.

IMPORTANT : quelques cm de freins suffisent pour maintenir la voile en parachutale. Pensez à relâcher vos éventuels tours de freins !

Fermetures

De part sa forme et sa flexibilité, un parapente peut fermer en partie sous l'effet d'une turbulence. Ceci peut aller d'une petite fermeture asymétrique de 30% à une fermeture complète (symétrique).

Si il vous arrivait de subir une fermeture, il faudra vous occuper de votre direction en premier lieu : vous éloigner du relief ou au pire ne pas vous en rapprocher. Pour cela, vous pouvez 'contrer' à la sellette en chargeant le côté opposé à cette fermeture et par une action modérée avec le frein du même côté. Cette action est dans la plupart des cas suffisante pour garantir une réouverture complète de l'aile.

Une aile partiellement fermée devient effectivement plus petite, donc sa charge alaire et sa vitesse de décrochage augmentent. Cela implique que l'aile partira en vrille ou décrochera avec une action au frein moindre. Ainsi pour stopper ce virage vers le côté fermé, vous devez agir de façon efficace mais en dosant l'amplitude du frein coté ouvert afin de ne pas décrocher celui-ci.

Si la fermeture n'est pas suivie d'une réouverture complète et spontanée, effectuez un freinage sur toute l'amplitude et sans brutalité. Cette action doit être répétée une ou deux fois jusqu'à la réouverture complète.

Pomper par à-coups n'aidera pas à regonfler plus rapidement la partie fermée.

Laisser la commande en position basse trop longtemps peut provoquer le décrochage.

En cas de fermetures symétriques, le regonflage se ferait sans intervention du pilote, mais un freinage symétrique de 15 à 20 cm accélérera la réouverture.

Si votre BUZZ se ferme alors que vous utilisez l'accélérateur, relâchez immédiatement la pression sur celui-ci pour ralentir jusqu'à la vitesse bras hauts et après 90 degrés de rotation l'aile se rouvrira et

retournera en vol normal

IMPORTANT : Aucun pilote ni aucune aile n'est à l'abri d'une fermeture, néanmoins un pilotage actif éliminera pratiquement toute tendance à fermer.

En aérologie turbulente volez plus lentement. Cette position vous permettra de redonner de la vitesse ou de ralentir votre aile si nécessaire, c'est le contrôle permanent et anticipé du tangage et du roulis.

En cas de fermeture asymétrique pensez à regarder loin devant vous en vous concentrant sur le maintien de la trajectoire. Une fois celle-ci contrôlée occupez vous de la réouverture en regardant le coté fermé (tout en surveillant votre altitude).

OZONE vous conseille de tenir les commandes en dragonne ou avec un tour de frein. Vous améliorez la précision de pilotage, vous ressentez mieux les informations de la voile donc l'anticipation est accrue.

Cravates

La cravate est caractérisée par un bout d'aile coincée dans le suspentage. Elle peut entraîner une autorotation difficile à maîtriser. La première solution pour s'en défaire consistera, tout en conservant sa trajectoire, à tirer amplement la suspente du stabilo (reconnaissable à sa couleur rouge sur les élévateurs B). Si cette technique ne marche pas un décrochage complet ou asymétrique sera l'ultime solution. Celui-ci ne peut être envisagé sans une formation adéquate et est à proscrire près du sol.

Enfin, si l'aile devient incontrôlable (rotation qui accélère, etc ...) et que vous ne maîtrisez pas le 'décrochage', l'utilisation de votre parachute de secours devient alors nécessaire.

Une préparation bâclée, la voltige non maîtrisée, un décollage précipité, voler avec du matériel trop performant pour son niveau ou dans des conditions aérologiques trop fortes sont les principales causes de cravates.

LA VOLTIGE

Les standards d'homologation spécifiques à la voltige n'ayant toujours pas vu le jour, les ailes OZONE ne sont donc pas homologuées pour cette pratique. Les manoeuvres étant extrêmement difficiles à réaliser, les sollicitations mécaniques étant très élevées, OZONE vous déconseille donc de la pratiquer.

TREUIL

La BUZZ peut être treuillée. Le pilote doit s'assurer que les attaches de harnais, le système de largage, le treuil et ses équipements sont homologués. L'opérateur du treuil doit être qualifié et doit respecter toutes les procédures et règles nécessaires. Les pilotes pratiquant cette méthode de décollage doivent y être formés et qualifiés.

La traction ne doit jamais être exercée avant que la voile ne soit parfaitement au-dessus de la tête du pilote. La force de traction ne doit pas dépasser le poids du pilote.

PARAMOTEUR

La BUZZ est homologuée pour le paramoteur. Sa facilité de gonflage et sa stabilité à haute vitesse en font une aile particulièrement adaptée. OZONE propose en option des élévateurs paramoteur, plus courts et équipés de trims.

Un pilote autonome en vol libre s'adaptera facilement à la pratique du paramoteur mais il lui sera nécessaire de suivre une formation adaptée.

MATÉRIAUX DE FABRICATION

Toutes les ailes OZONE sont fabriquées avec les matériaux de la plus grande qualité disponibles sur le marché mondial. Votre BUZZ est construite avec les tissus, suspentes et accastillages suivants:

Extrados

Tissu Gelvenor

Nylon ripstop double apprêt silicone et polyuréthane.

Sélectionné pour sa longévité sa résistance aux UV, aux frottements et aux déchirures. En l'air et au sol l'extrados est la partie de l'aile la plus exposée et la plus soumise à ces contraintes ce qui motive notre choix pour ce tissu particulièrement adapté.

Intrados

Porcher-Marine

37 grs/m² nylon ripstop enduction polyuréthane

Probablement le tissu le plus utilisé par les fabricants de parapentes.

Porcher-Marine a été essayé, utilisé, testé pour s'imposer comme le tissu le plus polyvalent du marché.

Nervures

Porcher-Marine

45 et 37 gris/m² Skytex haute densité et Nylon ripstop

Choisi pour sa résistance aux déformations sous efforts, essentiel pour reproduire fidèlement le profil et le maintenir dans le temps pour garantir les qualités de vol et de sécurité d'origine.

Renforts de bord d'attaque

Mylar double lames.

Choisi aussi pour sa résistance à l'effort pour maintenir la forme précise du bord d'attaque année après année et garantir le même comportement au gonflage dans le temps.

Suspentes

Suspentage bas: Edelrid Aramid, série 6843, 1.8mm de diamètre, charge de rupture 200 kg.

Cette suspente est une référence pour sa résistance mécanique dans le temps et pour ses très faibles variations de longueur.

Suspentage intermédiaire: Liros Dynema DSL, diamètre 1.1mm,

charge de rupture 140kg.

Suspentage haut: Liros Dynema DSL, diamètre 0,95 mm, charge de rupture 70 kg.

Ce cordage est constitué d'une âme en dynema pré étirée à chaud et sa gaine tissée de très fines fibres pour donner une suspente résistante aux frottements et aux accrocs, mais d'un poids très faible.

Élévateurs et divers

Maillons - Inox, haute qualité de chez Maillon Rapide.

Sangle d'élévateur - Sangle polyester à déformation zéro, de 20mm de largeur.

Poulies - Poulie aluminium avec réa en laiton de chez Austrian Alpin.

Tous ces matériaux ont été choisis pour leur qualité et leur durabilité.

PRECAUTIONS GENERALES

Les parapentes sont trop souvent abimés par un mauvais maniement au sol. Voici quelques conseils pour l'éviter et prolonger ainsi la durée de vie de votre aéronef :

- Ne JAMAIS traîner son aile sur le sol, d'un point de décollage à un autre par exemple. Ceci abîme le tissu de votre aile. Elever absolument toute votre aile en corolle au dessus du sol pour vous déplacer.
- Ne JAMAIS gonfler votre aile dans un vent soutenu avant d'avoir soigneusement démêler toutes les suspentes. Ceci soumet vos suspentes à un effort violent et inutile.
- Ne JAMAIS marcher sur vos suspentes.
- Ne JAMAIS gonfler votre aile pour la laisser retomber sur son bord de fuite de façon répétée. Essayez de maîtriser cette manoeuvre pour la rendre plus douce en vous avançant vers votre aile quand elle retombe au sol.
- Ne JAMAIS laisser retomber votre bord d'attaque contre le sol! Cette erreur contraint à de violents efforts toute votre voile et ses coutures et peut même provoquer la déchirure de nervures.
- Une pratique intensive du gonflage en vent fort, du vol en atmosphère saline, en milieu agressif (rocher, sable, vent)

accentue le vieillissement.

Il est important de vérifier régulièrement votre BUZZ très soigneusement et rigoureusement, surtout après un usage intensif ou une longue période d'hivernage

Rangement

Ranger toujours votre aile et votre équipement dans un endroit sec. Aussi, votre aile doit être stockée sèche, et à l'abri d'une chaleur excessive. Chaleur et humidité sont les facteurs de vieillissement les plus aggravants (exemple à proscrire: voile utilisée sous la pluie et stockée dans le coffre de la voiture au soleil).

Sécher votre aile en la laissant à l'ombre dans un endroit très aéré. Ne jamais essayer d'accélérer le séchage avec un sèche cheveux ou autres !

Si votre aile tombe dans l'eau de mer, il est nécessaire de la rincer à l'eau claire puis de la faire sécher. Ne JAMAIS laisser d'insectes sur votre voile et la plier ainsi. En voulant s'échapper ils provoqueraient des trous dans le tissu.

Nettoyage

Toute forme de frottement risque d'endommager l'enduction du tissu. Nous recommandons pour nettoyer d'éventuel saleté sur votre aile, de n'utiliser qu'un chiffon doux imbibé d'eau douce et de procéder, sans appuyer fortement, par petite surface.

Ne jamais passer votre aile en machine ou utiliser de détergent.

Réparation

Il est conseillé de vous adresser à un spécialiste agréé par OZONE. N'oubliez pas qu'une mauvaise réparation peut causer plus de mal que de bien.

Si la déchirure est de faible taille, vous pouvez entreprendre de la réparer vous même. Vous trouverez dans le kit de réparation les matériaux nécessaires à cela. Pour un accroc sur le tissu Porcher utiliser du ripstop autocollant. Sur le Gelvenor, le ripstop ne pourra pas coller à cause de l'enduction silicone. Il faudra coller une pièce de tissu en utilisant une colle/mastic pour joint au silicone. (Rayon bricolage).

Dans le cas où vous endommagez ou cassez une suspente, il est conseillé de la faire remplacer par une suspente fournie par Ozone (commande de suspentes individuelles www.flyozone.com) ou par votre revendeur. Il est important que la suspente de remplacement soit du même matériel, de même résistance et de même longueur. Vous pourrez vérifier la symétrie en comparant la suspente à celle qui se trouve du côté opposé. Enfin, il sera prudent d'effectuer quelques gonflages de vérifications avant de voler.

Astuces

- Votre voile Ozone est équipée d'un velcro au niveau du bord de fuite/stabilo permettant de vider l'aile (sable, feuilles...). N'hésitez pas à vous en servir.
- Si vous volez avec des tours de freins, penser à dé-torner vos drisses de freins très régulièrement. En effet beaucoup de torons peuvent générer une action permanente sur le bord de fuite et avoir des conséquences. (mauvais gonflage, aile ne volant pas droit...).
- La suspente principale de freins doit être changée dès qu'elle présente un quelconque signe d'usure ou d'endommagement.

REVISION

Votre voile comme votre voiture doit être suivie techniquement afin de préserver le plus longtemps possible ses qualités de vol et de sécurité.

Si vous voulez vendre votre BUZZ, vous devez fournir à l'acheteur un certificat de révision récent.

Votre voile doit être révisée par un professionnel qualifié au bout de 30 mois pour la première fois, puis tous les 24 mois par la suite.

Si vous volez fréquemment (plus de 80 heures par an), alors nous vous recommandons de faire réviser votre aile à l'issue de chacune de vos saisons de vols.

Si votre aile est utilisée à des fins professionnelles en école ou en biplace, alors une révision complète doit être effectuée tous les 12 mois.

Le professionnel en charge de la révision devra vous informer de l'état général de votre aile, et si un ou plusieurs éléments demandent

à être remplacé avant la prochaine révision.

Le vieillissement de la voile et des suspentes étant différent, le changement partiel ou complet du suspentage est envisageable au cours de la vie du parapente. D'où l'importance de la révision qui détaille le niveau d'usure de chaque composants de votre aile.

La révision de votre aile doit être réalisée par un professionnel qualifié, compétent et reconnu par la société OZONE.

Vous êtes responsable de votre matériel, prenez en soin et une inspection visuelle régulière (lors du pliage par exemple) vous permet de suivre l'évolution de votre matériel. Soyez aussi attentif aux changements de comportement en vol de votre aile (vitesse plus faible, phases parachutales, décrochage en virage, mauvais gonflage...).

La révision de votre BUZZ s'effectue obligatoirement sur plusieurs points.

La porosité. On mesure à l'aide d'un porosimètre (marque JDC) le temps que met un volume d'air défini pour passer à travers le tissu. Le temps en secondes est la mesure que l'on utilise pour les valeurs de porosité.

La mesure est effectuée sur l'extrados et l'intrados en différents points de la voile.
En extrados, le long de l'envergure de l'aile juste derrière le bord d'attaque.

La résistance à la déchirure du tissu.
Un test de non-destruction suivant la norme TS-108 pour les parachutes de saut est effectué.

La résistance des suspentes
Les suspentes centrales (les plus sollicitées) sur les A, B, C et D au niveau des suspentes basses, intermédiaires et hautes sont testées. Elles sont installées individuellement sur un banc de traction. La traction a lieu sur la longueur totale de la suspente jusqu'à rupture, la valeur de rupture est mesurée.
La valeur minimum est 8G pour toutes les suspentes A + B et 6G pour le reste des suspentes, calculée à partir du PTV maximum homologué du modèle. Même chose pour les suspentes intermédiaire

et les suspentes hautes.

Si la valeur de rupture est trop proche de la valeur minimum calculée, contrôleur devra proposer un délai maximum avant re-vérification de la suspente concernée..

Longueur des suspentes
Le contrôleur vérifie la longueur totale des suspentes (basse, intermédiaire, haute) sous une traction de 5 DAN.
L'écart maximum accepté, entre la longueur mesurée et la longueur théorique, est de +/- 10 mm.

Le changement le plus couramment observé est un léger allongement des suspentes avant et un faible rétrécissement des suspentes arrières. Les conséquences peuvent être : vitesse de vol plus faible, point dur au gonflage, ...

Contrôle complet
Un vol de contrôle durant lequel un pilote professionnel expérimenté reconnu par la société OZONE vérifiera le comportement de l'aile dans et hors du domaine de vol.
Un contrôle visuel plus approfondi (toutes les suspentes, pattes d'attache, coutures, cloisons, intrados, extrados.) est également effectué.

IMPORTANT : Le respect de votre matériel et des révisions périodiques vous garantissent des heures de plaisir en vol l'esprit libre.

MODIFICATION

Votre BUZZ a été conçue, fabriquée et réglée dans les règles de l'art afin de parvenir au meilleur compromis performances/maniabilité/sécurité. Nous vous déconseillons fortement d'entreprendre toutes modifications. Celles-ci entraîneraient la perte de l'homologation.
Ne modifiez votre BUZZ sous aucun prétexte.

QUALITIE OZONE

La qualité de nos produits est un paramètre que nous prenons très au sérieux, et nous mettons tout en oeuvre pour que nos produits sortent de notre usine de fabrication, respectant les plus haut standards de qualité. Chaque aile fabriquée doit passer une série de contrôle plus stricte les uns que les autres, et tous les éléments qui la compose peuvent être suivie individuellement. Nous sommes toujours intéressé par des retours d'informations à propos de nos produits et nous voulons offrir le meilleur service possible à nos clients. Nous ne parlons pas de garantie dans ce manuel car nous proposons de prendre en charge tous problèmes qui ne seraient pas causés par l'usure normale des matériaux, ni les avaries liées à un mauvais entretien ou liées à une utilisation non conforme au cahier des charges de la BUZZ. Si vous avez un problème avec votre aile, contacter votre revendeur Ozone qui trouvera la solution la plus appropriée. Si vous n'arrivez pas à prendre contact avec votre revendeur, alors vous pouvez nous contacter directement à info@flyozone.com.

CONSEILS GENERAUX

La prudence est la raison d'être de notre sport. Afin de voler en sécurité, vous devez vous entraîner, étendre votre expérience et prendre conscience de tous les dangers environnants. Pour y parvenir vous devez voler régulièrement, vous former, vous exercer au sol le plus possible et vous intéresser à la météo. Si vous négligez une de ces règles, vous vous exposez alors à plus de risques.

Le vol demande des années d'apprentissage, la progression est sans fin. L'expérience se construit lentement, ne brûlez donc pas les étapes en vous "mettant la pression". Vous avez toute votre vie pour apprendre et il n'y a pas d'âge pour voler très bien. Si les conditions ne sont pas bonnes, repliez et rentrez chez vous, demain sera un autre jour.

Ne surestimez pas vos compétences, soyez honnête avec vous même. Et n'oubliez jamais qu'il vaut mieux être au sol en rêvant d'être en l'air que de se retrouver en l'air en regrettant de ne pas être resté au sol !

Tous les ans de trop nombreux pilotes se blessent en décollant. Ne les imitez pas ! Le décollage est la phase durant laquelle le pilote est le plus exposé aux dangers. Entraînez-vous donc le plus possible. Certains décollages sont difficiles, étroits, aux conditions délicates. Si vous pratiquez au sol gonflages et manipulations, vous ferez la différence. Vous serez moins exposés aux risques et mieux préparés pour profiter des bonnes journées de vol.

Le travail au sol est aussi une forme de vol qui vous rendra plus sensible et plus réactif aux informations que vous transmet votre aile.

Enfin, faites preuve du plus grand respect pour la météo : Les éléments ont une force que vous pouvez à peine imaginer. Définissez vos limites et tenez-vous en à ce créneau.

Bons vols sous votre BUZZ.

Team OZONE

INHALTSVERZEICHNIS

Vielen Dank	33
Achtung	34
Über Ozone	35
Dein Buzz	35
Rucksack	36
Steuerleinen	36
Tragegurte	36
Speedsystem	36
Geeignete Gurtzeuge	37
Fluggewicht	37
Los geht's	37
Erster Flug	37
Vorbereitung	37
Checkliste vor dem Start	37
Starten	38
Flugeigenschaften	38
Normalflug	38
Aktives Fliegen	38
Kurvenflug	39
Landen	39
Packen	39
Flugmanöver	40
Ohren-Anlegen	40
Ohren-Anlegen und Beschleunigen	40
Ohren-Anlegen und Steilspirale	40
Wingovers	40
B-Stall	40
Steilspirale	40
Besondere Vorfälle	41
Sackflug	41
Einklapper	41
Verhänger	42
Acro-Fliegen	42
Windenschlepp	42
Fliegen mit Motor	42
Konstruktion	42
Pflege	43
Beschädigung durch Bodenhandling	43
Lagerung	43
Reinigung	43

Reparaturen	43
Checks	44
Veränderungen	45
Ozone Qualität und Service	45
Das letzte Wort	46
Nachprüfanweisungen für den Buzz	47
Tragegurte	49
Ozone Buzz Garantiekarte	

Dieses Betriebshandbuch ist Pflichtlektüre vor deinem ersten Flug!



PHOTO : FREDRIK GUSTAFSSON

VIELEN DANK

Danke, dass du dich für einen Ozone Buzz entschieden hast.

Wir, bei Ozone, als ein Haufen "Flugverrückter", haben uns zum Ziel gesetzt Gleitschirme zu bauen, die ein agiles, leichtes Handling mit Top-Leistung vereinen, und dir dennoch maximale Sicherheit bieten.

Unsere ganze Entwicklung, die Versuche und Tests sind darauf ausgerichtet das beste Handling bei grösstmöglicher Sicherheit zu erreichen, denn das Vertrauen in deinen Gleitschirm ist beim Fliegen ein weit größerer Vorteil, als jeder kleine Leistungsgewinn. Wenn du Piloten fragst, die mit unseren Schirmen auf Abenteuerreisen waren oder Wettbewerbserfolge gefeiert haben, werden sie dir das bestätigen.

Unser Entwicklerteam hat sein Hauptquartier im sonnigen Südfrankreich. Die nächsten Fluggebiete sind Gourdon, Monaco, Lachens und viele mehr. Mehr als 300 fliegbare Tage im Jahr ermöglichen uns perfekte Test- und Entwicklungsarbeit und garantieren dir, dass du ein in der Praxis erprobtes Produkt erhältst.

Der Kauf eines neuen Gleitschirmes bedeutet für jeden Piloten eine große Investition. Wir wissen das und weil die Qualität und das Preis-Leistungs-Verhältnis bei dieser Entscheidung von erheblicher Bedeutung sind, werden die Ozone Gleitschirme jetzt in unserer eigenen Produktionsstätte hergestellt. So halten wir die Kosten niedrig und können garantieren, dass alle unserer Produkte die Qualität haben, die wir selbst auch erwarten würden.

Dieses Handbuch soll dir helfen, das Beste aus deinem Buzz herauszuholen. Es beinhaltet Detailinformationen über das Design des Buzz, Tipps und Anweisungen zum Fliegen und zum Umgang mit ihm. Wenn du diese beachtest, wird er lange halten und einen hohen Wiederverkaufswert haben. Darüberhinaus sind zu deiner Information auch die technischen Daten und die DHV-Musterprüfprotokolle enthalten.

Wenn du Fragen zu Ozone, dem Buzz oder einem anderen unserer Produkte hast, sieh bitte unter www.aerosport.de nach, oder wende dich an deine Flugschule, deinen Händler oder direkt an einen von uns hier.

Vor jedem Flug musst du dich vergewissern, ob es eine aktuelle Sicherheitsmitteilung gibt, die den Buzz betrifft.

Alle Sicherheitsmitteilungen werden unter www.aerosport.de veröffentlicht.

Um sicher zu gehen, dass du über eventuelle Sicherheitsmitteilungen oder andere wichtige Informationen, die den Buzz betreffen, immer informiert bist, kannst du dich auch in die Mailingliste bei www.aerosport.de eintragen.

Viel Spaß beim Fliegen,

dein Ozone und Aerosport-Team

ACHTUNG

Jede Form von Flugsport ist gefährlich und kann zu körperlichen Verletzungen oder zum Tode führen. Als Besitzer dieses Ozone Buzz übernimmst du die Verantwortung für alle Risiken, die mit seinem Gebrauch verbunden sind. Unsachgemässer Gebrauch und oder Missbrauch deiner Ausrüstung kann dieses Risiko steigern.

Fliege vorsichtig!

Informiere dich bevor du startest über das Gelände und die Wetterbedingungen in deinem Fluggebiet. Starte nie, wenn du dir nicht sicher bist und treffe deine Entscheidungen stets mit grosser Sicherheitsreserve.

Verwende nur Gleitschirme, Gurtzeuge mit Protektor und Rettungsgeräte, die ein DHV Gütesiegel haben und verwende diese auch nur innerhalb ihres zugelassenen Gewichtsbereiches.

Trage stets einen geeigneten Helm, Handschuhe und geeignete Schuhe.

Fliege nur, wenn du einen gültigen Flugschein für das betreffende Land besitzt und eine Haftpflichtversicherung hast.

Vermeide es, mit deinem Gleitschirm bei Regen, Schnee, starkem Wind, Nebel oder turbulenten Wetterbedingungen zu fliegen.

Wenn du stets gewissenhaft und ehrlich entscheidest wirst du das Fliegen viele Jahre lang genießen können.

➤ ÜBER OZONE

Wir bei Ozone machen unsere Arbeit aus Leidenschaft fürs freie Fliegen, unserer Liebe zu Abenteuern und weil wir möchten, dass unsere Entwicklung bessere, sicherere und vielseitigere Gleitschirme hervorbringt.

Entwickelt werden die Schirme von Rob Whittall, fliegt seit 1986, und David Dagault (Zweiter bei den X-Alps 2003). Die Beiden besitzen zusammen einen Erfahrungsschatz als Piloten und Konstrukteure, der wohl weltweit einmalig ist. Sie vereinen das fachliche Wissen mit der fliegerischen Erfahrung jahrelanger Flugabenteuer, XC-Flüge und Wettkampfeinsätze und sind noch immer so heiss aufs Fliegen wie am ersten Tag. Unterstützt werden sie von Jerome Canaud und Russell Ogden, als Testpiloten. Die zwei turnen zumeist unter einer der neuen Kreationen am Himmel rum, und testen sie dabei mit wilden Acro-Flugfiguren auf Herz und Nieren.

Zurück auf der Erde gibt 's ebenfalls einiges zu tun. Mike 'Da Boss' Cavanagh und Sam Lowe versuchen die ganze Mannschaft zu koordinieren und Chaos zu verhindern.

Claire Drury (Versand) hat dafür gesorgt, dass dein Gleitschirm dich auch rechtzeitig erreicht.

In abgedunkelten Kammern, um nicht vom ewig-sonnigen Flugwetter in Südfrankreich abgelenkt zu werden, kümmern sich Marcus King und Manu Prissette um Anzeigen, Videos und Werbung. Außerdem versuchen sie die Computer am Laufen zu halten.

Unser neuester Mitarbeiter Ivan Bellia entwirft die Designs für die Bekleidungs- und Zubehörpalette.

Ein Stockwerk tiefer schafft es Karine Marconi immer wieder Verwaltungskosten zu minimieren und das Entwicklungsbudget zu erhöhen. Und wenn Du uns mal anrufst, vernimmst du mit ziemlicher Sicherheit die reizende Stimme von Nicky Watts.

Die Produktionsstätte in Vietnam leitet Dr. Dave Pilkington. Ohne Unterlass produziert er Schirme, Prototypen und forscht beständig an Materialverbesserungen. Unterstützt wird er durch Ngan und 170 MitarbeiterInnen.

➤ DEIN BUZZ

Der Buzz eignet sich sowohl für Einsteiger, die erst die wunderbare Welt des freien Fliegens entdecken, als auch für Freizeitpiloten die auf ein Maximum an Sicherheit Wert legen, aber auch auf Spass und Leistung nicht verzichten wollen. Mit dem Buzz hast du genügend Leistungsreserve zur Verfügung um in neue Dimensionen vorzustossen. Er bringt dich sicher zur Wolkenbasis und auch zurück. Nur zwei Gefühle bleiben nach der Landung: Volle Befriedigung und der Wunsch nach mehr!

Unser Entwicklungsziel war es einen DHV 1-2er zu konstruieren, der im Sicherheitsaspekt am "unteren Ende" der Klasse anzusiedeln ist und bei dem trotzdem das ozone-typische Handling und die Leistung nicht zu kurz kommen. In fast allen Bereichen hat er dabei bei den DHV-Tests die Einstufung DHV 1 erhalten. Dav und sein Team haben es fertig gebracht einen Schirm zu bauen, der Flugfehler verzeiht aber zugleich genügend Feedback liefert, damit der Pilot sein fliegerisches Können stetig verfeinern kann.

Am Boden ist der Buzz einfach nicht zu schlagen. Vorwärts- oder Rückwärtsstart egal! Mit einem Wort: Simple! Er füllt sich vorzüglich und gibt dir auch schon in der Startphase immer exakt Feedback wo der Schirm sich gerade befindet. Der Buzz weissst keine Tendenz zum Überschiessen auf.

Sobald Du in der Luft bist wirst du sofort feststellen wieviel Spass es macht mit dem Buzz unterwegs zu sein. Der Bremsdruck wurde perfekt für die Zielgruppe eingestellt. Er steigt langsam an und wird sehr hoch wenn man sich dem Stallpunkt nähert. Dein Buzz wird dir genau das richtige Mass an Feedback über die Tragegurte und die Bremsen liefern, damit du lernst die Thermik zu fühlen. Wird es einmal unruhig in der Luft, vermittelt der Schirm jedoch genug Stabilität, damit du auch diese Situation meistern kannst.

Die Kappe schneidet durch Turbulenzen und ist sehr resistent gegen Einklapper. Und im Falle eines Einklappers dreht der Buzz kaum weg und öffnet sofort wieder butterweich. Das Handling ist präzise und Steuerimpulse werden sofort umgesetzt. Die Reaktion des Schirms überrascht dabei jedoch nie den Piloten.

Flach drehen oder steile Kurven, Wing-overn oder Thermikkreisen - dein Buzz wird immer mit dir sein!

Für einen Schirm dieser Klasse ist das Minimumsinken und die Gleitzahl enorm und bietet dir genug Potenzial für lange Flüge oder deinen ersten (oder hundertsten) XC-Flug.

Der grosse Geschwindigkeitsbereich des Buzz erlaubt dir auch mal eine Talquerung zu versuchen, oder einen Sinkbereich schnell zu verlassen. Auch gegen den Wind kommst du noch schnell und sicher voran. Auch im Fullspeed bleibt die Eintrittskante deines Buzz stets ruhig und stabil.

Kurzum mit dem Buzz hast du einen Schirm gewählt der Sicherheit und Leistung in einer einmaligen Art und Weise vereint. Er bringt dich hin wo du willst, und das schnell und sicher. Du kannst ihm vertrauen, und er wird dir oft ein Lächeln ins Gesicht zaubern.

Unser Baby Buzz ist flügge geworden, und bei dir sicher in besten Händen. Aber wie alle Eltern würden wir gerne von seinen Abenteuern und Erlebnissen unterrichtet werden. Über eure Berichte, Kritik und Bilder würden wir uns sehr freuen.

Rucksack

Der Rucksack ist bequem und praktisch (gepolsterter Hüftgurt, ergonomisch verstellbare Schultergurte). Er bietet ausreichend Platz für deine Ausrüstung und ist dank der bequemen Ergonomie Passform auch für einen Fußmarsch geeignet. Wir haben oben und seitlich zusätzliche Taschen angebracht, in denen Kleinkram verstaut werden kann.

Steuerleinen

Die Länge der Steuerleinen ist während der Entwicklung genau vorgegeben und sollte nicht verkürzt werden. Wir halten es für einen Vorteil, wenn die Steuerleinen etwas länger sind und man "gewickelt" fliegen kann (Steuerleinen ein halbes Mal um die Hand gewickelt). Wenn du trotzdem vorhast, die Länge der Steuerleinen zu ändern, dann achte bitte auf folgendes:

- beide Steuerleinen müssen gleich lang sein
- wenn die Steuergriffe entfernt werden, stelle sicher, dass die Steuerleinen durch die Bremsrollen geführt sind
- wenn man die Steuergriffe im Flug loslässt, müssen die Steuerleinen locker sein. Die Leinen müssen einen sichtbaren "Bogen" machen um sicher zu sein, dass kein Verformung der Austrittskante da ist.

- es muss mindestens 10 cm "Spiel" geben, bevor die Steuerleinen anfangen, die Austrittskante zu verformen - damit ist garantiert, dass bei Benutzung des Speedsystems, der Flügel trotzdem sauber bleibt.

WICHTIG: falls ein Steuerleine reißt oder sich vom Steuergriff löst, kann der BUZZ durch leichtes Ziehen der hinteren Tragegurte (C-Tragegurte) gesteuert werden.

Tragegurte

Der BUZZ hat ein einfaches 3-Tragegurt System. Jeder Tragegurt ist farblich gekennzeichnet.

Die A-Tragegurte sind ROT. Die A-Tragegurte sind oben zweigeteilt. Der kleinere Teil mit nur einer Leine ist der "Baby A" Gurt. Er ist für das Einklappen der Flügelenden (Ohren-Anlegen) gedacht.

Die B-Tragegurte sind BLAU

Die C-Tragegurte sind SCHWARZ.

Speedsystem (Beschleuniger)

Um am Boden die richtiger Länge des Speedsystems einzustellen, sollte am besten ein Freund die Tragegurte hochheben, während du in Flugposition in deinem Gurtzeug sitzt. Stelle die Länge des Speedsystems so ein, dass die Stange knapp unter deinem Sitz hängt. Du solltest mit deinem Fuß locker an das Speedsystem kommen.

Das Speedsystem sollte so eingestellt sein, dass es im Normalflug auf keinen Fall die A-Tragegurte verkürzt, aber auch nicht so lang, dass man den vollen Weg benutzen kann.

Wenn man seinen Fuß in der Schlaufe lässt und voll durchdrückt, dann verwendet man etwa die Hälfte des Wegs. Für den Normalgebrauch reicht das vollkommen aus. Falls du noch schneller fliegen willst, dann kannst du die Stange mit den Füßen durchdrücken. Maximum Geschwindigkeit ist erreicht, wenn sich die zwei Rollen an den A-Tragegurten berühren.

Beim ersten Testflug mit Speedsystem ist es wichtig zu überprüfen, ob beide Seiten gleichmäßig gezogen werden. Wenn nicht, kann man die Feinabstimmung am Boden machen.

WICHTIG: Durch die Benutzung des Speedsystems, kannst du besser gegen den Wind vorankommen. Das Speedsystem verkleinert den Anstellwinkel des Schirms, was wiederum das Risiko von Klappern erhöht. Setze das Speedsystem nicht in Bodennähe ein.

Wir empfehlen, dass man das Speedsystem auch nicht in turbulenter Luft verwendet. Piloten mit wenig Erfahrung, sollten das Speedsystem erst einsetzen, nachdem sie sich mit dem BUZZ in der Luft vertraut gemacht haben. Alle unsere Schirme sind mit Speedsystem entwickelt und getestet. Die meisten Piloten verwenden jedoch kaum die volle Geschwindigkeit vor allem nicht bei turbulenten Bedingungen.

Geeignete Gurtzeuge

Der Buzz wurde für alle Gurtzeuge der Gurtzeuggruppe GH (=alle Gurtzeuge ohne starre Kreuzverspannung) zugelassen. Für Gurtzeuge der Gurtzeuggruppe GX (=alle Gurtzeuge mit starrer Kreuzverspannung) haben wir den Buzz nicht zugelassen. Diese Gurtzeuge können sowohl das Handling als auch einzelne Bereiche des sicherheitsrelevanten Flugverhaltens ungünstig beeinflussen. Nicht zugelassen sind auch Spezialgurtzeuge, die nur im Zusammenhang mit bestimmten Gleitschirmtypen geflogen werden dürfen, wie zum Beispiel festverbundene Steuergurtzeuge.

Zu welcher Gurtzeuggruppe ein Gurtzeug gehört ist auf der Musterzulassungsplakette vermerkt. Praktisch alle modernen Gurtzeuge gehören zur Gurtzeuggruppe GH.

Einstellung eines Gleitschirm-Gurtzeugs mit variabler Kreuzverspannung: Je mehr die Kreuzverspannung angezogen ist, desto weniger lassen Turbulenzen im Flug den Piloten im Gurtzeug zur Seite kippen. Je mehr die Kreuzverspannung geöffnet ist, desto mehr hat der Pilot die Möglichkeit durch Gewichtsverlagerung die Steuerung des Gleitschirms zu unterstützen.

Um deine Flüge zu genießen, solltest du dich in deinem Gurtzeug wohl fühlen. Deshalb empfehlen wir, dass du dir ausreichend Zeit nimmst, verschiedene Einstellungen an deinem Gurtzeug zu testen. Es lohnt sich wirklich und du wirst sicher mehr Spaß in der Luft haben. Das Tuning wird an den Schulter- und Beingurten vorgenommen. Achte darauf, dass du die Schultergurte nicht zu fest ziehst, es könnte sonst sein, dass du nach dem Starten schwer zum Sitzen kommst. Die Idealposition ist dann erreicht, wenn du mit deinem Rücken leicht nach hinten gelehnt bist. Der Brustgurt sollte je nach Größe S, M, L auf 42, 44, 46cm Karabinerabstand eingestellt

werden

Fluggewicht

Jeder BUZZ ist für einen bestimmten Gewichtsbereich zugelassen. Das Gütesiegel besteht nur innerhalb des angegebenen Gewichtsbereiches. Wenn dein Fluggewicht genau zwischen zwei Größen liegen sollte, dann kann dir die nachfolgende Information vielleicht ein bisschen bei der Wahl deines Schirms helfen. Wenn du an einer höheren Geschwindigkeit, präziserem Handling interessiert bist und du hauptsächlich in den Bergen und/oder bei starken Bedingungen unterwegs bist, sollte dein Fluggewicht an der oberen Gewichtsgrenze liegen. Wenn du eine bessere Sinkrate wünschst und eher im Flachland oder bei schwachen Bedingungen unterwegs bist, sollte dein Fluggewicht an der unteren Gewichtsgrenze liegen.

LOS GEHT'S

Erster Flug

Um dich mit deinem neuen Gleitschirm vertraut zu machen, ist es sinnvoll, Aufziehhübungen und kurze Flüge am Übungshang zu machen. Dabei kannst du auch deine Ausrüstung optimal einzustellen. Solltest du irgendwelche Zweifel haben, dann nimm bitte Kontakt mit deinem Händler oder Fluglehrer auf.

Vorbereitung

Lege die Eintrittskante des BUZZs in Bogenform aus, die Mitte am höchsten. Sortiere zunächst die Leinen auf einer Seite. Halte dazu den Tragegurt hoch und beginne mit der Bremsleine, sie muss vollkommen frei sein. Wiederhole das mit den A, B, und C-Leinen und lege dabei die sortierten Leinen auf die bereits sortierten. Vergewissere dich, dass sich keine Leinen kringeln, verhängen, Schlaufen bilden oder einen Knoten haben. Danach sortierst du die andere Seite genauso.

Checkliste vor dem Start

1. Checke den Rettungsschirm - Splint gesichert und Griff fest
2. Helm auf und angeschnallt
3. Alle Schlösser am Gurtzeug zu - checke nochmals die Beinschlaufen
4. Karabiner und Schäkel geschlossen
5. Leinen sortiert
6. Eintrittskante offen

7. Wind von vorne

8. Luftraum frei und gute Sicht

Starten

Den BUZZ kannst du sowohl vorwärts als auch rückwärts starten. Zum Aufziehen des Schirms solltest du beidseitig alle A Tragegurte benutzen (Haupt A und Baby A). Wenn du dich eingehängt hast, gehe vor dem Start noch mal die Checkliste (siehe oben) durch. Du solltest sicherstellen, dass du dich in der Schirmmitte befindest, damit der Schirm gleichmäßig und progressiv aufsteigen kann.

Vorwärtsstart - null bis leichter Wind

Warte ab bis der Wind passt. Bewege dich dann ein oder zwei Schritte vorwärts, so dass sich die Leinen straffen. Der BUZZ wird sofort beginnen sich zu füllen. Bringe einen gleichbleibenden Zug auf die A-Gurte, bis die Kappe über dir steht.

Achte darauf, dass du dabei nicht die Tragegurte herunterziehst, oder zu intensiv drückst. Sonst verformt sich die Eintrittskante, was dir den Start unnötig erschwert.

Du brauchst nicht zu rennen, es reicht wenn du dich während des ganzen Startvorgangs gleichmäßig nach vorne bewegst. Nimm dir genügend Zeit für einen Kontrollblick, bevor du dich endgültig entscheidest zu starten.

Wenn der BUZZ gefüllt und sauber über dir steht, beschleunige gleichmäßig und starte.

Rückwärtsstart - Leichter bis starker Wind

Lege deinen BUZZ wie für den Vorwärtsstart aus. Drehe dich diesmal aber mit dem Gesicht zum Schirm, indem du einen kompletten Tragegurt über deinen Kopf hebst während du dich umdrehst. Nun kannst du den BUZZ an den A-Gurten aufziehen. Wenn der Schirm über dir ist, bremse ihn leicht an, drehe dich um und starte.

Denke daran, dass es bei stärkerem Wind sein kann, dass du ein paar Schritte auf den Schirm zugehen musst, während du ihn aufziehst. Dadurch nimmst du etwas Energie aus der Aufziehbewegung und der Schirm wird weniger überschießen.

WICHTIG: Starte niemals mit einem Gleitschirm, der nicht ganz gefüllt ist oder wenn du das Nicken und Rollen des Schirms nicht vollkommen unter Kontrolle hast.

Übe so viel am Boden wie du nur kannst! Es macht nicht nur Spaß, du wirst auch ein viel besseres Gefühl für die Flugcharakteristik des

BUZZs bekommen. Du wirst dadurch auch mehr Freude am Fliegen finden, indem du lernst, sicherer und besser zu starten.

Flugeigenschaften

Du wirst mit dem BUZZ keine unangenehmen Überraschungen erleben, deshalb ist dieser Schirm auch für ein breites Pilotenspektrum geeignet ist. Er kreist gleichmäßig und lässt sich fein dosiert steuern, auf Gleitstrecken bleibt die Kappe stabil und gut gefüllt, selbst im beschleunigten Zustand. Auch zeigt er keine Tendenz zum Strömungsabriss und ist sehr klappstabil. Wie der DHV-Testbericht zeigt, hat er ein exzellentes Wiederöffnungsverhalten. Dennoch solltest du die folgenden Informationen beachten.

Normalflug

Beim Flug mit Trimmgeschwindigkeit (Hände oben) hat der BUZZ sein bestes Gleiten. Ziehe die Bremsen etwa 30 cm, um das minimale Sinken zu erreichen. Benutze den Beschleuniger, um beim Gleiten gegen den Wind schneller zu werden. Mit Beschleuniger kannst du deutlich schneller werden.

Aktives Fliegen

Um die Wahrscheinlichkeit eines Einklappers zu minimieren solltest du in turbulenten Bedingung stets aktiv Fliegen.

Alle guten Piloten reagieren auf die Informationen, die sie von ihrer Kappe bekommen und verändern ständig ihre Geschwindigkeit und Anstellwinkel um so effizient und so stabil wie möglich zu fliegen. Wenn der Gleitschirm nach vorne anfährt bremse ihn leicht an. Genauso öffne die Bremsen wenn der Schirm hinter dich gerät, um ihn etwas schneller werden zu lassen. Diese Reaktionen können symmetrisch oder asymmetrisch sein, es werden also beide oder auch nur eine Bremse benutzt. Durch diese feinfühligsten Steuerreaktionen hältst du deinen Gleitschirm stabil und genau über dir. Man kann diese Fähigkeiten auch erlernen, indem man viel Bodenhandlung trainiert.

Der Buzz ist so ausgelegt ist, dass es schwer ist, die Strömung versehentlich abreissen zu lassen. Dennoch ist es möglich den Buzz durch exzessiven oder groben Gebrauch der Bremsen zu stallen. Dabei ist der Stallpunkt sehr genau definiert, im Moment des Abreissens ist eine deutliche Verringerung des Bremsdruckes zu spüren. Wenn du zu langsam fliegst und an diesen Punkt kommen solltest, musst du sofort die Bremsen öffnen.

WICHTIG: Kein Pilot oder Gleitschirm ist immun gegen Klapper. Bei turbulenten Bedingungen achte auf eine aktive Flugweise, und versuche die Bewegungen deines Schirmes vorauszusehen. Achte stets auf deine Höhe und vermeide Überreaktionen. Wir empfehlen dir die Bremsgriffe nie loszulassen. Fordere dein Glück nicht heraus, und verzichte bei sehr turbulenten Bedingungen lieber auf einen Flug.

Kurvenflug

Um dich mit dem Verhalten des BUZZ vertraut zu machen, solltest du deine ersten Kurven vorsichtig einleiten und zunehmend steigern. Für einen effizienten und koordinierten Kurvenflug solltest du zuerst in die Richtung blicken, in die du drehen willst und dann dein Gewicht auf diese Seite verlagern. Leite eine Kurve immer erst mit Gewichtsverlagerung ein und ziehe dann dosiert an der Bremse, bis du die richtige Schräglage hast. Die kurvenäußere Bremse kannst du einsetzen, um die Geschwindigkeit und den Radius der Kurve zu variieren.

Achtung: Leite niemals eine Kurve ein, wenn du mit minimaler Geschwindigkeit fliegst (z.B. mit maximalem Bremseneinsatz), da du sonst einen einseitigen Strömungsabriss (Trudeln) riskierst.

Landen

Der BUZZ hat kein ungewöhnliches Landeverhalten. Trotzdem, hier ein paar Tipps zur Erinnerung.

Plane deine Landung immer frühzeitig, halte dir dabei viele Möglichkeiten mit einem großen Handlungsspielraum offen.

Wenn du weniger als 30 Meter Höhe über Grund hast, solltest du enge Kurven vermeiden, da dein Gleitschirm immer in die Normallage zurückpendeln muss. Wenn du zu niedrig bist, oder ins Sinken kommst, könntest du den Boden härter berühren als nötig.

Lasse deinen Gleitschirm stattdessen im Endanflug geradeaus und mit Trimmgeschwindigkeit fliegen, bis du etwa einen Meter über dem Boden bist. Ziehe die Bremsen dann langsam und progressiv, um den Gleitschirm auszufaren und sanft auf deinen Füßen zu landen.

Achte darauf, nicht zu stark und zu schnell zu flaren, da dein Gleitschirm wieder ein Stück steigen könnte bevor die Strömung

abreißt. Wenn das passieren sollte, lass die Bremse nicht komplett frei. Du solltest die Bremsleinern auf etwa halbem Bremsweg halten, dich Aufrichten und laufbereit sein. Bremse voll durch wenn du den Boden erreichst. Vor der Landung solltest du deinen Körper nach vorne lehnen, sodass dein Gewicht auf dem Brustgurt liegt (besonders wenn es turbulent ist).

Landen immer gegen den Wind!

Bei leichtem Wind musst du stark, lange und progressiv flaren, um deine Geschwindigkeit gegenüber Grund so weit wie möglich zu verringern. Bei starkem Wind ist deine Vorwärtsgeschwindigkeit gegenüber dem Boden bereits so gering, dass du erst kurz vor dem Aufsetzen flaren musst.

Bei starkem Wind musst du dich gleich nachdem deine Füße den Boden berühren auf deinen Gleitschirm zudrehen. Ziehe die Bremsen dann symmetrisch und gleichmäßig durch, um den Flügel zu stallen. Wenn der Gleitschirm zu stark zieht, laufe mit ihm.

Wenn du bei sehr starkem Wind das Gefühl hast, mitgerissen zu werden, provoziere nach der Landung einen Strömungsabriss über die C-Gurte. Damit stallst du den BUZZ sehr schnell und gut kontrollierbar, du wirst so weniger mit dem Wind zu kämpfen haben.

Packen

- Breite den BUZZ flach aus, das Untersegel nach oben. Lege die Leinen auf den Schirm und die Tragegurte mittig ans Achterlied.
- Lege ein Flügelende zur Mitte und wiederhole das, bis der Schirm auf etwa 60cm Breite zusammengelegt ist. Achte darauf, dass die Verstärkungen in den Eintrittsöffnungen dabei nicht geknickt werden und aufeinanderliegen.
- Lege die andere Flügelseite genauso zusammen.
- Versuche, den Gleitschirm nicht nach jedem Flug sofort zusammenzulegen, da jede Art, ihn zu packen, auf Dauer die Festigkeit des Tuches verringert.
- Streiche die Luft zur Eintrittskante hin aus.
- Falte nun den Gleitschirm in mehreren Schlägen vom Achterlied zur Eintrittskante, sodass er etwa die Form und Größe des Innenpacksackes hat. Rolle ihn niemals auf, denn dabei wird das Tuch unnötig gedehnt.
- Packe den BUZZ stets so locker wie möglich, denn jede Falte

schwächt das Tuch des Gleitschirmes.

- Ziehe nun das Kompressionsband um den Schirm und stecke ihn in den Innenpacksack.

FLUGMANÖVER

Ozone möchte daran erinnern, dass diese Manöver nur unter Aufsicht eines qualifizierten Fluglehrers und mit größter Sorgfalt erlernt werden sollten.

Denke immer daran, dass eine gute Wetterbeobachtung vor dem Start verhindern kann, dass diese Techniken überhaupt eingesetzt werden müssen.

Ohren-Anlegen

Das Einholen der Flächenenden ("Ohren") erhöht den Widerstand des Gleitschirmes und somit die Sinkgeschwindigkeit. Dieses Manöver ist nützlich, um von Wolken wegzukommen oder schnell Höhe abzubauen. Um die Ohren beim BUZZ anzulegen, musst du die äußersten A-Leinen greifen und sie herunterziehen, bis die Flächenenden einklappen und nach hinten weghängen. Um dir das Ohren anlegen zu erleichtern, gibt es bei unseren Gleitschirmen geteilte A-Tragegurte.

Verwende die Bremsen ausschließlich zum Öffnen der Ohren, Kurven solltest du nur mit Gewichtsverlagerung fliegen.

Um die Ohren wieder zu öffnen, gib die Baby A-Leine frei: der Schirm sollte sich automatisch öffnen. Du kannst ein wenig nachhelfen, indem du vorsichtig erst die eine dann die andere Seite leicht anbremsst (nicht beidseitig bremsen, sonst erhöhst du die Stallgefahr!) **WICHTIG:** Du kannst mit angelegten Ohren landen (du solltest die Ohren vor dem letzten Flare freigeben). Wir raten dir, dieses Manöver nicht bei turbulenten Bedingungen anzuwenden, da Stallgefahr besteht und die Steuerung nicht präzise ist.

Ohren-Anlegen und Beschleunigen

NACHDEM du die Ohren angelegt hast, kannst du deine Sinkgeschwindigkeit weiter steigern, indem du den Beschleuniger benutzt. Versuche **NIE** die Ohren einzuholen während du den Beschleuniger drückst - dies kann zu einem großen Einklapper führen.

Ohren-Anlegen und Steilschleife

Dieses Manöver ist möglich aber führt zu einer sehr großen Belastung unteren Stammleinen, oder sogar zu einem Leinenbruch.

Ozone empfiehlt, dieses Manöver zu vermeiden!

Wingovers

Der OZONE BUZZ ist nicht für den Kunstflug gebaut! Die Grenze sind harte Kurvenwechsel bis 90° Seitenneigung. Dies nennt man allgemein Wing-Over. Unkoordiniert geflogene Wing-Over können zu großen einseitigen Einklappen führen. Deshalb darfst Du diese Flugfigur nie in Bodennähe ausüben.

B-Stall

Den B-Stall verwendet man nur, um in Notsituationen Höhe abzubauen. Der B-Stall wird eingeleitet, indem man auf beiden Seiten die B-Tragegurte symmetrisch herunterzieht.

Für die Einleitung greifst du mit deinen Fingern am besten zwischen die Leinen oberhalb der Leinenschlösser. Lasse dabei die Bremsgriffe nicht los. Durch das Herunterziehen der B-Leinen reisst die Strömung ab und der Gleitschirm verliert seine Vorwärtsgeschwindigkeit, bleibt dabei jedoch geöffnet. Man sinkt mit etwa 6 m/s.

Wenn du die B-Leinen zu weit ziehst bildet der Gleitschirm eine Rosette und wird sehr unruhig.

Um den B-Stall auszuleiten, müssen die B-Gurte gleichmäßig, symmetrisch und zügig freigegeben werden. Der Gleitschirm wird dann wieder in den normalen Flugzustand übergehen, ohne dass du etwas tun musst. Vergewissere dich, dass du wieder Vorwärtsfahrt hast, bevor du die Bremsen einsetzt.

WICHTIG : Die Nickbewegung der Kappe nach vorne (Vorschießen) beim Ausleiten des B-Stalls ist klein aber sehr wichtig. Wir empfehlen, dass man die Steuerleinen erst dann einsetzt, wenn der Schirm wieder Vorwärtsfahrt aufgenommen hat.

Durch einen B-Stall werden die Leinen und das Tuch stark belastet. Bitte nur im Notfall einsetzen.

Steilschleife

Wenn du einige Vollkreise mit immer enger werdendem Radius

fliegst, dann wird dein Gleitschirm beginnen eine Steilschleife zu fliegen. Darunter versteht man eine Rotationsbewegung mit hoher Seitenneigung und grossem Höhenverlust.

Um eine Steilschleife einzuleiten musst du folgendes tun: Schau in die Richtung, in die du spiralen willst, verlagere dein Körpergewicht auf diese Seite und ziehe dann gleichmässig die kurveninnere Bremse. Der Buzz wird nach etwa einer Umdrehung in die Steilschleife übergehen. In der Steilschleife musst du auch die kurvenäussere Bremse etwas ziehen, um das Flügelende offen und stabil zu halten.

Sinkgeschwindigkeiten von 8 m/s und mehr sind in einer Steilschleife möglich, aber diese hohen Geschwindigkeiten und G-Kräfte sind gefährlich, weil du einen Black-Out riskierst. Ausserdem wird der Gleitschirm dabei unnötig stark belastet. Achte also genau auf deine Höhe und leite in Sicherheitshöhe aus.

Um eine Steilschleife auszuleiten musst du die innere Bremse langsam freigeben, deinen Körper in eine neutrale Normalposition bringen, und die Kurvenäussenseite ein wenig anbremsen. Wenn die Bewegung sich verlangsamt, musst du den Buzz weiter drehen lassen bis die Geschwindigkeit und Energie soweit abgebaut ist, dass er wieder in den Normalflug übergehen kann, ohne exzessiv zu pendeln.

Achtung: Steilschleifen verursachen Orientierungsverlust und es bedarf Zeit und Höhe, um sie auszuleiten.
Fliege keine Steilschleifen in Bodennähe.

Besondere Vorfälle

Sackflug

Es ist möglich, dass dein Gleitschirm nach der Ausleitung des B-Stalls normal aussieht aber trotzdem mit erhöhter Sinkgeschwindigkeit und geringer Vorwärtsgeschwindigkeit fliegt. Dies nennt man "Sackflug". Es ist unwahrscheinlich, dass dir das mit einem OZONE Gleitschirm passiert, aber wissen musst du auf jeden Fall, dass Sackflug vorkommen kann und wie man ihn korrekt ausleitet. Wenn du den Verdacht hast im Sackflug zu sein, dann musst du die Bremsen vollständig lösen und einfach den Beschleuniger durchdrücken oder den A-Tragegurt nach vorne drücken, bis der Gleitschirm wieder im Normalflug ist. Erst dann darfst du die Bremsen gebrauchen!

Einklapper

Dein Gleitschirm ist ein flexibler Flügel und deshalb kann es passieren, dass er in turbulenter Luft plötzlich einklappt. Der Buzz wird nur bei stärkerer Turbulenz einklappen und normalerweise sehr schnell von selbst wieder öffnen. Dennoch solltest du Folgendes zur Kenntnis nehmen:

Ein einseitiger Einklapper kann kontrolliert werden, indem man sein Gewicht zur noch offenen Seite hin verlagert und mit dosiertem Steuerleinenzug die Flugrichtung gerade hält. Es gibt jedoch einige wichtige Punkte, die man beachten sollte beim Umgang mit seitlichen Einklappen.

Wenn ein Gleitschirm eingeklappt ist hat er eine kleinere Fläche, die Flächenbelastung steigt und die Geschwindigkeit für den Strömungsabriss ist höher. Wenn du versuchst den Gleitschirm zu stabilisieren musst du vorsichtig sein, um nicht die noch geöffnete Seite des Flügels abzureissen.

Erlaube dem Gleitschirm zu drehen während du ihn öffnest. Wenn du die Rotation des Gleitschirms nicht beenden kannst, ohne dabei den Abrisspunkt zu überschreiten.

Öffne den Einklapper mit einem gleichmässigen, kräftigen Steuerimpuls auf der geklappten Seite. Bei diesem "Pumpen" sollte eine Pumpbewegung etwa zwei Sekunden dauern. Zu schnelles Pumpen wird den Flügel nicht wieder füllen und zu langsames Pumpen kann den Gleitschirm an oder über den Stallpunkt bringen.

Bei einem Frontklapper sollte sich der Gleitschirm ohne Aktion des Piloten sofort selbständig wieder öffnen. In jedem Fall hilft ein kurzer Impuls von 15-20 cm mit beiden Bremsen, um die Wiederöffnung zu beschleunigen.

Wenn dein Buzz im beschleunigten Flug einklappt, musst du sofort aus dem Beinstrecker gehen um auf Trimmgeschwindigkeit abzubremsen. Danach verhältst du dich wie oben beschrieben.

Vorsorge ist besser...

Kein Pilot und kein Gleitschirm ist immun gegen Klapper. Aber mit einem aktiven Flugstil kannst du die Gefahr von Einklappen auf ein Minimum reduzieren.

Verhänger

Wenn sich das Flügelende in den Leinen verfängt nennt man das "Verhänger". Ein Verhänger kann zu einer schwer kontrollierbaren Drehbewegung führen. Die erste Lösungsmöglichkeit ist, an der Stabilo-Leine zu ziehen (rote Leine am B-Tragegurt), während man gleichzeitig versucht, die Drehbewegung durch Gegenbremsen zu verlangsamen. Um einen Strömungsabriss zu vermeiden, muss das Gegenbremsen vorsichtig und dosiert sein. Wenn das nicht funktioniert, dann hilft nur noch ein "Full Stall". Nur wer Full-Stalls gelernt und geübt hat, sollte dieses Manöver durchführen - und auch nur dann, wenn ausreichend Höhe vorhanden ist.

Wenn der Pilot die Drehung nicht schnell kontrollieren kann, dann muss der Rettungsschirm eingesetzt werden, bevor zu viel Höhe verloren ist.

WICHTIG: schlechte Startvorbereitung, Acrofliegen, ein ungeeigneter Schirm oder zu starke Flugbedingungen sind die Hauptursache für Verhänger.

ACRO-FLIEGEN

Es gibt noch keine offizielle Zulassung für Acro-Schirme. OZONE Gleitschirme sind mit den besten Materialien und in höchster Qualität gefertigt, aber nicht für diese Art des Fliegens zugelassen. Ozone empfiehlt, diese Art des Fliegens mit dem BUZZ zu vermeiden.

WINDENSCHLEPP

Dein OZONE Gleitschirm ist windenschlepptauglich. Beim Windenschlepp musst du darauf achten, dass der Gleitschirm vor dem Start senkrecht über dir steht. In der Startphase darf nicht mit zu großem Zug geschleppt werden, damit der Pilot im flachen Winkel vom Start wegsteigt. Schleppleinenzug über 90 kp ist nicht zulässig. In jedem Fall entspricht der maximale Schleppleinenzug dem Körpergewicht des Piloten.

In Deutschland ist Windenschlepp mit dem Gleitschirm prinzipiell nur dann erlaubt, wenn der Pilot einen Befähigungsnachweis für Windenschlepp, der Windenfahrer einen Befähigungsnachweis für

Windenfahrer mit Berechtigung für Gleitschirmschlepp besitzt, der Gleitschirm schlepptauglich ist, sowie Winde und Schleppklinke ein DHV-Gütesiegel haben, das sie als geeignet für Gleitschirmschlepp ausweist. Grundsätzlich sind die örtlich geltenden Vorschriften zu beachten und nur mit einem erfahrenen Schleppteam und geeignetem Material zu schleppen.

FLIEGEN MIT MOTOR

Der BUZZ ist für das Fliegen mit Motor zugelassen. OZONE bietet als Option spezielle Tragegurte für das Motorfliegen: sie sind kürzer und mit Trimmer ausgestattet. **WICHTIG:** nur Piloten mit einer entsprechenden Ausbildung und Lizenz dürfen mit Motor fliegen. Bitte informiere dich bei www.DULV.de mit welchen Gleitschirmmotoren der BUZZ in Deutschland geflogen werden darf.

KONSTRUKTION

Wie alle OZONE Gleitschirme ist auch dein BUZZ nur aus den hochwertigsten Materialien gefertigt:

Obersegel

Dreifach silikon- und polyurethanbeschichtetes Ripstop Nylon von Gelvenor. Ausgewählt wegen seiner Langlebigkeit und Widerstandsfähigkeit gegen UV-Strahlung und Abnutzung. Das Obersegel wird in der Luft wie am Boden mehr belastet, als jedes andere Material des Schirmes, und deshalb haben wir uns für Gelvenor entschieden.

Untersegel

Porcher-Marine Ripstop Gewebe, polyurethanbeschichtet, 39 g/m². Wahrscheinlich das meistverwendete Tuch in der Gleitschirmherstellung. Unsere Tests haben bewiesen, dass Porcher Marine das beste Allroundtuch ist.

Rippen

Porcher-Marine 45 g/m² und 39 g/m² High-Tenacity-Skytex + Ripstop Nylon. Ausgewählt wegen hoher Stabilität und Widerstandsfähigkeit gegen Dehnung. Entscheidend, wenn ein Gleitschirm seine sicheren Flugeigenschaften für lange Zeit behalten

soll.

Eintrittskanten Verstärkung

Doppelt laminiertes Mylar. Ausgewählt wegen der langen Haltbarkeit. Die Starteigenschaften bleiben so Saison für Saison unverändert gut.

Leinen

Stammleinen - Edelrid Aramid - 200 kg und 340 kg Bruchlast - 1,8 mm

Mittelleinen - Liros DSL - 140 kg Bruchlast - 1,1 mm

Galerieleinen - Liros DSL - 70 kg Bruchlast - 0,95 mm

Tragegurte und Hardware

Tragegurte - 20mm Gurtband aus Polyester, dehnungsfrei.

Schäkel - Hochwertige Edelstahlschraubschäkel von Maillon Rapide.

Röllchen - Aluminium/Messing-Miniröllchen von Austri-Alpin.

Alle Komponenten wurden ausgewählt wegen ihrer hohen Qualität und Haltbarkeit.

PFLEGE

Beschädigung durch Bodenhandling

Viele Gleitschirme werden durch sorglosen Umgang am Boden beschädigt. Um die Lebensdauer deines Fluggerätes zu verlängern, bitten wir dich, folgende Punkte zu beachten:

Ziehe deinen Gleitschirm NICHT über den Boden, dabei beschädigst du die Beschichtung des Tuches.

Versuche NICHT, deinen Schirm bei starkem Wind auszulegen, ohne vorher die A-Leinen sortiert zu haben - du belastest die Leinen sonst nur mit unnötigem Zug.

Laufe NICHT über Leinen und Segel.

Vermeide es, deinen Schirm unnötig oft aufzuziehen und ihn dann wieder auf den Boden zurück fallen zu lassen. Versuche stattdessen, diese Bewegung so sanft wie möglich zu machen, indem du auf den Schirm zugehst, wenn du ihn herunterlässt.

Knalle deinen BUZZ NICHT mit der Eintrittskante voran auf den Boden. Der Aufprall belastet Tuch und Nähte sehr stark, dabei

können sogar Zellwände platzen.

Das Fliegen am Meer, mit viel Salz in der Luft und Sand bei der Landung, beschleunigt den Alterungsprozess des Schirms.

Wir empfehlen, dass du deinen Schirm regelmäßig prüfst - besonders nach lange Pausen oder einem besonderen Vorfall / Unfall.

Lagerung

Bewahre deine gesamte Flugausrüstung stets, geschützt vor direktem Sonnenlicht und Hitze, in einem trockenen Raum auf. Hitze und Feuchtigkeit sind die zwei Faktoren die einen Gleitschirm schneller altern lassen. (Ein feuchter Gleitschirm im Auto bei direkter Sonneneinstrahlung, ist fast das Schlimmste, was du tun kannst).

Um einen feuchten Gleitschirm zu trocknen, hängt man ihn am besten über die Wäscheleine - wenn möglich nicht in die Sonne. Er sollte stets selbst trocknen, verwende nie einen Haarfön oder ähnliches.

Damit restliche Feuchtigkeit verdunsten kann, solltest du den Reißverschluss des Packsacks immer offen lassen. Bewahre deinen BUZZ niemals in der Nähe von Chemikalien, Farben, Lacken oder Benzin auf.

Achte darauf, dass du keine Insekten in deinen Gleitschirm packst. Grashüpfer lösen sich beispielsweise in eine saure Substanz auf, die dein Tuch beschädigen kann.

Reinigung

Reiben kann den Stoff beschädigen. Zur Reinigung empfehlen wir deshalb, ein weiches, mit Wasser angefeuchtetes Baumwolltuch zu verwenden. Reinige immer nur kleine Stellen mit sanften Bewegungen. Benutze nie Waschmittel oder chemische Reinigungsprodukte.

Reparaturen

Wenn Reparaturen nicht von einem Fachmann ausgeführt werden, können sie mehr Schaden als Nutzen bringen. Lasse wichtige Arbeiten deshalb nur von einem zugelassenen Instandhaltungsbetrieb ausführen.

Reparaturen am Segel

Solange der Riss nicht an einer Naht liegt, können sehr kleine Löcher

selbst repariert werden.

Das Gelvenor Material (Obersegel) kann mit einer dünnen Schicht Silikonkleber und Gelvenor-Tuch repariert werden. Klebe dabei das Reparaturmaterial auf Innen- und Außenseite des Segels und lasse es großzügig überlappen.

Das Porcher Marine Tuch

(Rippen und Untersegel) kann ohne Kleber mit selbstklebendem Gleitschirm-Reparaturtuch geflickt werden.

Reparaturen an Leinen

Jede beschädigte Leine muss ausgetauscht werden. Es ist wichtig, dass die Ersatzleinen aus dem gleichen Material mit gleicher Bruchlast sind. Solltest du gezwungen sein, eine Leine selbst zu ersetzen, vergleiche die Länge mit dem Gegenstück auf der anderen Seite. Ziehe den Schirm nach Ersetzen einer Leine auf und überprüfe die Leinen vor dem nächsten Flug. Falls du keinen Ozone Händler in der Nähe hast, kannst du einzelne Leinen über www.flyozone.com bestellen oder wenn du in Deutschland oder Österreich lebst bei www.aerosport.de.

Tipps

- Jedes Flügelsegment ist an der Austrittskante mit einem Loch versehen, das mit einem Klettband verschlossen ist: das "Butt Hole". Es ermöglicht das Entfernen von gesammelten Objekten z.B. Sand, Blätter, Gras oder Handys
- Wenn du gewickelt fliegst, solltest du regelmäßig die Steuerleinen ausdrehen, sonst verkürzen sich die Bremsleinen
- Lass die Steuerleinen austauschen, wenn sie beschädigt sind.

CHECKS

Dein Flügel, muss, so wie dein Auto, regelmäßig überprüft werden.

Falls du deinen BUZZ verkaufst, dann bitte nur mit dem aktuellen Check-Protokoll.

Dein Flügel muss spätestens nach 30 Monaten von einem zugelassenen Instandhaltungsbetrieb gecheckt werden und danach nach jeden weiteren 24 Monaten.

Wenn du ein Vielflieger bist und mehr als 80 Stunden im Jahr fliegst,

dann empfehlen wir dir dringend deinen Gleitschirm nach Ablauf jeder Saison überprüfen zu lassen.

Professionell in der Schulung eingesetzte Gleitschirme oder professionell genutzte Tandemschirme müssen alle 12 Monate gecheckt werden.

Segeltuch und Leinen altern unterschiedlich schnell: es ist möglich, dass du während der gesamten Lebenszeit deines BUZZs einen Teil oder alle Leinen austauschen musst. Um den Zustand der verschiedenen Komponenten zu kennen, ist es daher sehr wichtig, die Checks durchzuführen.

Wir empfehlen, den Schirm immer von einem qualifizierten, professionellen Instandhaltungs-Betrieb checken zu lassen.

Du bist für deine Ausrüstung selbst verantwortlich. Deine Sicherheit hängt davon ab. Änderungen im Flugverhalten eines Schirms sind Zeichen von Alterung. Also bitte regelmäßig checken lassen.

Hier sind die verschiedenen Check-Prozesse:

Luftdurchlässigkeit - Wir messen, wie lange ein bestimmtes Luftvolumen benötigt, um durch eine bestimmte Fläche zu strömen. Die Messung findet an mehreren Stellen des Obersegels entlang der Spannweite hinter der Eintrittskante statt.

Reißfestigkeit Tuch - Wir messen die Reißfestigkeit des Tuches entsprechend der TS-108 Norm für Sprungfallschirme. Dies ist ein Testverfahren, das das Tuch nicht beschädigt.

Reißfestigkeit Leinen

Die mittleren A, B und C Stammleinen, Mittelleinen und Galerieleinen werden solange belastet bis sie reißen und die dabei erreichte Last ermittelt. Die Summe der Festigkeit aller A + B Stammleinen muss mindestens 8 G und die Summe aller restlichen Stammleinen mindestens 6 G betragen. Diese "G" beziehen sich auf das maximal zulässige Startgewicht des Gleitschirms. Die Festigkeiten aller darüber liegenden Mittelleinen und Galerieleinen muss mindestens gleich hoch sein.

Falls die Messwerte nahe an der Grenze liegen, dann wird der Prüfer einen weiteren Check nach kürzerer Zeit festlegen.

Leinenlänge - Die Gesamtlänge (Tragegurt + Stamm-, Mittlere-, und Galerieleinen wird unter 5DaN Zug gemessen. Ein Toleranz von +/- 10mm ist erlaubt.

Im Laufe der Zeit kann es zu einem leichten Dehnen der A+B Leinen und zu einem leichten Schrumpfen der C-Leinen kommen - was zu einer niedrigeren Trimmgeschwindigkeit und zu Aufziehproblemen führen kann.

Sichtprüfung - von alle Komponenten (Nähte, Aufhängungen, Verstärkung, Leinen usw.)

Falls der Prüfer im Zweifel ist über das korrekte Flugverhalten des Gleitschirms, dann kann er im Anschluß einen Checkflug machen.

WICHTIG : Pflege deinen BUZZ und Sorge dafür, dass regelmäßig Checks nach diesem Prüfmuster durchgeführt werden.

VERÄNDERUNGEN

Wenn dein OZONE Gleitschirm die Produktion verlässt, befindet er sich innerhalb des zulässigen Toleranzbereichs. Dieser Bereich ist sehr klein und darf nicht verändert werden. Die optimale Balance zwischen Leistung, Handling und Sicherheit ist somit gewährleistet. Jede noch so kleine Änderung führt automatisch dazu, dass das DHV-Gütesiegel erlischt. Es ist auch wahrscheinlich, dass eine Änderung das Fliegen mit dem OZONE BUZZ erschwert. Deshalb raten wir dringend davon ab, irgendwelche Änderungen an diesem Gleitschirm vorzunehmen.

OZONE QUALITÄT UND SERVICE

Wir nehmen die Qualität unserer Produkte sehr genau, alle Schirme werden unter höchsten Standards in unserer eigenen Produktionsstätte hergestellt.

Jeder Schirm wird einer sehr strengen Endkontrolle unterzogen, in der alle Produktionsschritte nochmals überprüft werden. Das Kundenfeedback ist uns sehr wichtig und wir setzen auf erstklassigen Service. Wir werden uns immer darum kümmern, Materialfehler die

nicht auf die normale Abnutzung oder falschen Gebrauch zurückzuführen sind, zu beheben. Falls du Probleme mit deinem Schirm haben solltest, setze dich mit deinem Händler in Verbindung. Falls es dir nicht möglich ist, deinen Händler zu kontaktieren dann melde dich direkt bei uns info@flyozone.com

DAS LETZTE WORT

In unserem Sport steht die Sicherheit an erster Stelle: Um sicher Gleitschirm zu fliegen, müssen wir gut ausgebildet, sowie geübt und aufmerksam gegenüber Gefahren sein. Das erreicht man nur, wenn man so viel wie möglich fliegt, Bodenhandling trainiert und ein wachsames Auge gegenüber dem Wettergeschehen entwickelt. Wenn es dir an einer dieser Eigenschaften mangelt, wirst du dich unnötig größerer Gefahr aussetzen.

Fliegen ist eine großartige Sache und man benötigt einige Jahre, es richtig zu lernen. Nimm dir Zeit, Erfahrungen zu sammeln und setze dich nicht unter Druck. Du hast lange Zeit um zu lernen. Du kannst wie viele andere bis auf ihre alten Tage fliegen. Wenn die Bedingungen nicht gut sind, packe deine Sachen und geh nach Hause, morgen ist auch noch ein Tag.

Überschätze deine Fähigkeiten nicht und sei dir gegenüber ehrlich. Ein weiser Spruch lautet: "Es ist besser am Boden zu stehen und sich zu wünschen, man würde fliegen, als in der Luft zu sein und sich zu wünschen, man stünde am Boden".

In jedem Jahr verletzen sich viele Piloten beim Start - werde nicht zu einem von ihnen. Beim Start sind die Gefahren am größten, weshalb du ihn so gut und oft wie möglich üben solltest. Manche Startplätze sind klein und kompliziert, zudem sind die Bedingungen nicht immer perfekt. Wenn du ein gutes Bodenhandling hast, wirst du sicher und entschlossen starten können, wo andere sich abmühen. Du wirst weniger gefährdet sein, dich zu verletzen und stattdessen einen schönen Flugtag haben.

Bodenhandling ist aber auch eine Form des Fliegens. Du lernst auf deinen Gleitschirm zu hören und sein Feedback zu verstehen, also übe möglichst viel.

Zu guter Letzt: Bewahre den Respekt vor dem Wetter, denn es hat mehr Kraft, als wir uns überhaupt vorstellen können. Versuche zu verstehen, welche Bedingungen für dein fliegerisches Niveau geeignet sind und bewege dich nicht aus diesem Rahmen heraus.

Happy Flying & viel Spaß mit dem BUZZ.
Team Ozone.

Wenn du noch weitere Fragen hast, dann wende dich bitte an unsere Importeure.

für Deutschland und Österreich:
Aerosport International GmbH
Grafenstrasse 26
D-83098 Brannenburg
Tel +49 (0)8034 1034 Fax +49 (0)8034 3384
email info@aerosport.de www.aerosport.de

für die Schweiz:
Birdwing Gleitschirmfliegen
Wysland
CH-3860 Meiringen
Tel +41 (0)33 971 48 03 Fax +41 (0)33 971 48 05
Natel: +41 (0)79 353 23 23
email info@birdwing.ch www.birdwing.ch

Nachprüfanweisungen für den Buzz

Diese sind bindend für Deutschland und Österreich.

Für alle anderen Länder wird ihre Einhaltung von Ozone dringend empfohlen.

Das erste Nachprüfintervall beträgt 30 Monate ab dem Datum der Stückprüfung. Jedes folgende Nachprüfintervall beträgt 24 Monate ab dem Datum der letzten Nachprüfung. Eine Verkürzung des nächsten Nachprüfintervalles liegt im Einzelfall im Ermessen des Prüfers.

Personelle Voraussetzungen für die Nachprüfung ausschliesslich persönlich und einsitzig genutzter Gleitsegel.

- Luftfahrerschein, Sonderpilotenschein oder als gleichwertig anerkannte ausländische Lizenz.
- eine ausreichende, typenbezogene Einweisung beim Hersteller oder in einem Fachbetrieb, der für die Nachprüfung des betreffenden Gleitsegeltyps zugelassen ist. Diese Einweisung ist jährlich zu verlängern.
- Hinweis: Die Gültigkeit der Nachprüfung für ausschliesslich persönlich und einsitzig genutzte Gleitsegel erlischt, sobald das Gleitsegel von Dritten genutzt wird, das heisst z.B. beim Verkauf.

Personelle Voraussetzungen für die Nachprüfung von von Dritten genutzten Gleitsegeln und für Doppelsitzer gemäß LuftPersV §106 5.b

- Luftfahrerschein, Sonderpilotenschein oder als gleichwertig anerkannte ausländische Lizenz.
- Eine Berufsausbildung auf einem für die Prüfertätigkeit förderlichen Fachgebiet.
- Eine berufliche Tätigkeit von 2 Jahren bei der Herstellung oder Instandhaltung von Gleitsegeln, davon mindestens 6 Monate innerhalb der letzten 24 Monate.
- eine ausreichende, mindestens zweiwöchige Einschulung im Betrieb des Herstellers und eine typenbezogene Einweisung die jährlich zu verlängern ist.

Technische Voraussetzungen / Voraussetzungen an Prüfmittel und Material.

- Textiluhr nach Kretschmer.

- Vorrichtung zur Überprüfung der Leinenfestigkeit, die es erlaubt die Reißfestigkeit von Gleitsegelleinen in voller Länge zu ermitteln.
- Nähmaschine, die geeignet ist zum Nähen von Gleitsegelleinen aller verwendeten Durchmesser.
- Präzisionsfederwaage mit Messbereich von ca. 0-30 kp zur Ermittlung der Dehnungs- und Rückstellwerte von Gleitsegelleinen.
- Messvorrichtung zur Messung und Dokumentation der Längenmessung von Gleitsegelleinen unter 5 kp Zug und Stahlmassband nach ISO.
- Vorrichtung zur Ermittlung der Reißfestigkeit von Tuch nach TS-108 Norm.
- Sollten Reparaturen notwendig sein: weitere, entsprechend dem verwendeten Material und Nahtbild erforderliche Nähmaschinen
- Alle zu verwenden Originalmaterialien, so wie sie vom Gleitsegel-Hersteller spezifiziert sind.

Notwendige Unterlagen

- Luftsportgeräte-Kennblatt.
- Stückprüfprotokoll.
- vorangegangene Nachprüfprotokolle falls bereits vorhanden.
- Wartungs- und Kalibrierungsunterlagen der Messgeräte.
- Lufttüchtigkeitsanweisungen bzw. Sicherheitsmitteilungen des Herstellers für das betreffende Gleitsegel sofern solche existieren.
- gültige Einweisungsbestätigung des Herstellers oder vom Hersteller autorisierten Fachbetrieb.
- Formular des Herstellers um die Nachprüfung zu protokollieren.
- Leinenmessblatt zur Dokumentation der Soll-, Ist- und Differenzwerte der Leinenlängen.
- Der Prüfer muss sich vor Durchführung der Nachprüfung beim Hersteller informieren, ob neue Erkenntnisse vorliegen, die bei der Prüfung des betreffenden Gleitsegeltyps zu berücksichtigen sind.

Identifizierung des Gerätes

- Das Gleitsegel wird an Hand der Musterzulassungs- bzw. Gütesiegelplakette und des Typenschildes identifiziert
- Typenschild und Prüfplaketten sind auf Korrektheit, Vollständigkeit und Lesbarkeit zu überprüfen

Sichtkontrolle der Kappe

- Obersegel, Untersegel, Eintritts- und Austrittskante, Zellzwischenwände, Nähte Leinenloops werden auf Risse, Scheuerstellen, Dehnung, Beschädigung der Beschichtung, sachgemäße Ausführung von eventuellen Reparaturen und sonstige Auffälligkeiten untersucht.
- Eventuell notwendige Reparaturen sind nur mit den Originalmaterialien nach Anweisung des Herstellers durchzuführen.

Sichtkontrolle der Leinen

- Sämtliche Leinen sind auf Beschädigungen zu untersuchen. Dies betrifft z.B. Beschädigungen der Nähte oder des Mantels, Risse, Knicke, Scheuerstellen, Kernaustritte, Verdickungen usw.
- Beschädigte Leinen sind durch Originalmaterial (Leine und Faden) in identischer Verarbeitung zu ersetzen.

Sichtkontrolle der Verbindungsteile

- Die Tragegurte sind auf Beschädigungen zu untersuchen. Dies betrifft z.B. Beschädigungen der Nähte oder Risse, Knicke, Scheuerstellen usw. Die Leinenschlösser sind auf Beschädigungen zu überprüfen und es ist zu kontrollieren, ob sie fest geschlossen sind.
- Die Länge der Tragegurte (nicht beschleunigt und voll beschleunigt) ist unter 5daN Last zu vermessen. Toleranzwert: +/-5mm
- Beschädigte Leinenschlösser müssen ersetzt werden. Beschädigte Tragegurte müssen ersetzt oder nach Anweisung des Herstellers repariert werden.

Vermessung der Leinenlängen

Diese erfolgt unter 5daN Last nach Anweisung des Herstellers. Toleranzwert +/-10 mm darüber hinausgehende Toleranzen sind im Einzelfall nach Ermessen des Prüfers zulässig.

Kontrolle der Dehnung und Rückstellung der Leinen

Diese erfolgt unter 20 daN Last nach Anweisung des Herstellers. Maximal zulässiger Rückstellwert + 10 mm darüber hinaus gehende Toleranzen sind im Einzelfall nach Ermessen des Prüfers zulässig.

Kontrolle der Leinenfestigkeit

Je eine mittlere Leine Stammleine, mittlere Leine und Galerieleine der A, und B - Ebene wird bis zur Bruchlast belastet. Die minimal

erforderliche Festigkeit beträgt für die Summe aller A- und B-Stammleinen 8G bezogen auf das maximal zulässige Startgewicht , und, für die Summe aller übrigen Stammleinen 6G. Die darüberliegenden Leinen müssen insgesamt mindestens die Festigkeit der darunterliegenden Leine haben.

Kontrolle der Kappenfestigkeit

Diese erfolgt nach Herstelleranweisung entsprechend der TS-108 Norm. Grenzwert ebenfalls entsprechend TS-108 Norm.

Kontrolle der Luftdurchlässigkeit

Erfolgt nach Herstelleranweisung mit der Kretschmer Textiluhr. Der Grenzwert beträgt 15 Sek.

Sichtkontrolle von Trimmung und Einstellung

Im Normalfall besteht bei Einhaltung der oben angegebenen Toleranzwerte kein Grund die Trimmung oder Einstellung zu ändern. Im Einzelfall liegt es jedoch im Ermessen des Prüfers eine Trimm-Korrektur vorzunehmen, z.B. wenn sämtliche Toleranzen der A-Leinen im Plus-Bereich und sämtliche Toleranzen der B-Leinen im Minus-Bereich liegen.

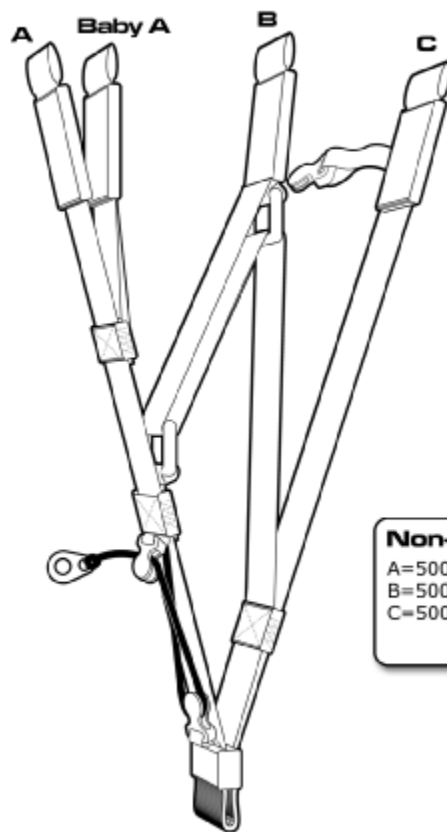
Checkflug

Im Normalfall ist bei Befolgen der vorliegenden Verfahrenseinweisungen kein Checkflug erforderlich. Sollten besondere Umstände vorliegen liegt es im Ermessen des Prüfers einen Checkflug vorzunehmen. Hierbei sind die Anweisungen des Herstellers zu beachten.

Dokumentation

Die jeweiligen Prüfergebnisse, die Beurteilung des Gesamtzustandes des Gleitsegels, sowie Reparaturen und Korrekturen sind im Prüfprotokoll des Herstellers festzuhalten. Die Soll-, Ist- und Differenzwerte der Leinenlängen sind im Leinenmessblatt festzuhalten. Das Prüfprotokoll und das Leinenmessblatt ist zusammen mit dem Betriebshandbuch aufzubewahren. Dem Hersteller ist unverzüglich eine Kopie des Prüfprotokolls und des Leinenmessblatts auszuhändigen. Die Durchführung der Nachprüfung, sowie die Fälligkeit zur nächsten Nachprüfung ist mit Datum und Unterschrift des Prüfers und dessen Prüfnummer auf oder neben dem Typenschild festzuhalten.

➤ RISER ARRANGEMENT / DISPOSITION DES ELEVATEURS / TRAGEGURTE



Non-Accelerated

A=500mm, baby-A=505mm,
B=500mm,
C=500mm

OZONE BUZZ SERVICE CARD

BUYERS COPY

Buyer Details:

Name

Address

Home Phone

Business Phone

Fax

Email

Seller Details:

Flight School

Date of Purchase

Serial Number

Please fill out this service card and keep for your own records.

Dealer Address

please
affix
postage

OZONE BUZZ SERVICE CARD

Buyer Details:

Name

Address

Home Phone

Business Phone

Fax

Email

Seller Details:

Flight School

Date of Purchase

Serial Number

Please fill out this service card and send it to your nearest Ozone dealer.

OZONE BUZZ GARANTIEKARTE

Käufer:	<input type="text"/>
Name	<input type="text"/>
Adresse	
	<input type="text"/>
Tel.privat	<input type="text"/>
Tel.Geschäft	<input type="text"/>
Fax	<input type="text"/>
Email	
Verkäufer:	<input type="text"/>
Flugshule	
	<input type="text"/>
Kaufdatum	<input type="text"/>
Seriennummer	<input type="text"/>

AEROSPORT INTERNATIONAL
Grafenstr. 26
D-83094 Brannenburg

please
affix
postage

OZONE BUZZ GARANTIEKARTE

Käufer:

Name

Adresse

Tel.privat

Tel.Geschäft

Fax

Email

Verkäufer:

Flugshule

Kaufdatum

Seriennummer

Bitte fülle diese Garantiekarte aus und sende sie für Deutschland und Österreich an:

AEROSPORT INTERNATIONAL GmbH

oder für die Schweiz an:

BIRDWING GLEITSCHIRMFLIEGEN

Du sicherst Dir so die Gewährleistung Deiner Garantieansprüche. Wir können Dich dann auch jederzeit über die neuesten Entwicklungen bei OZONE auf dem Laufenden halten und Dir, falls nötig, aktuelle technische Informationen über Deinen Vulcan zusenden.