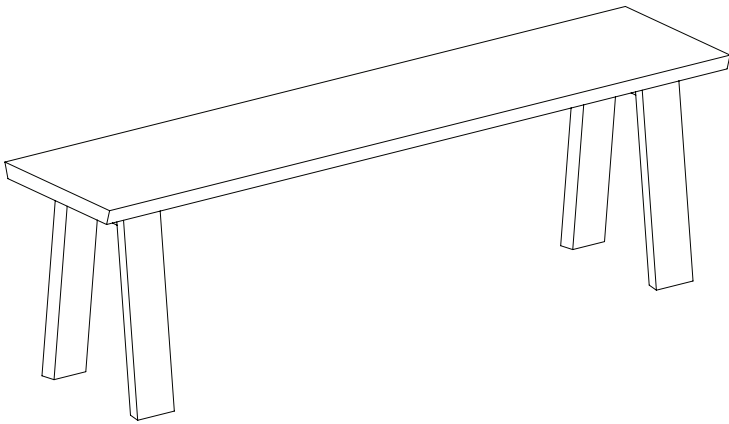


Kanto Bench



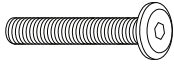
HOME STARTS HERE.

Thank You For Choosing Akron Street.

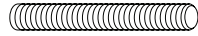
We hope you enjoy your new Akron Street furniture.
We take great care in designing our products for
quick and easy assembly.

If you need any more help, please don't hesitate to
contact us at support@akronstreet.com.

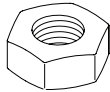
Hardware



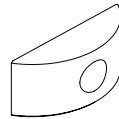
A. Bolt (M8x60) x8



B. Headless Bolt (M8x70) x2



C. Hex Nut (M8) x2



D. Half-Moon Nut x2



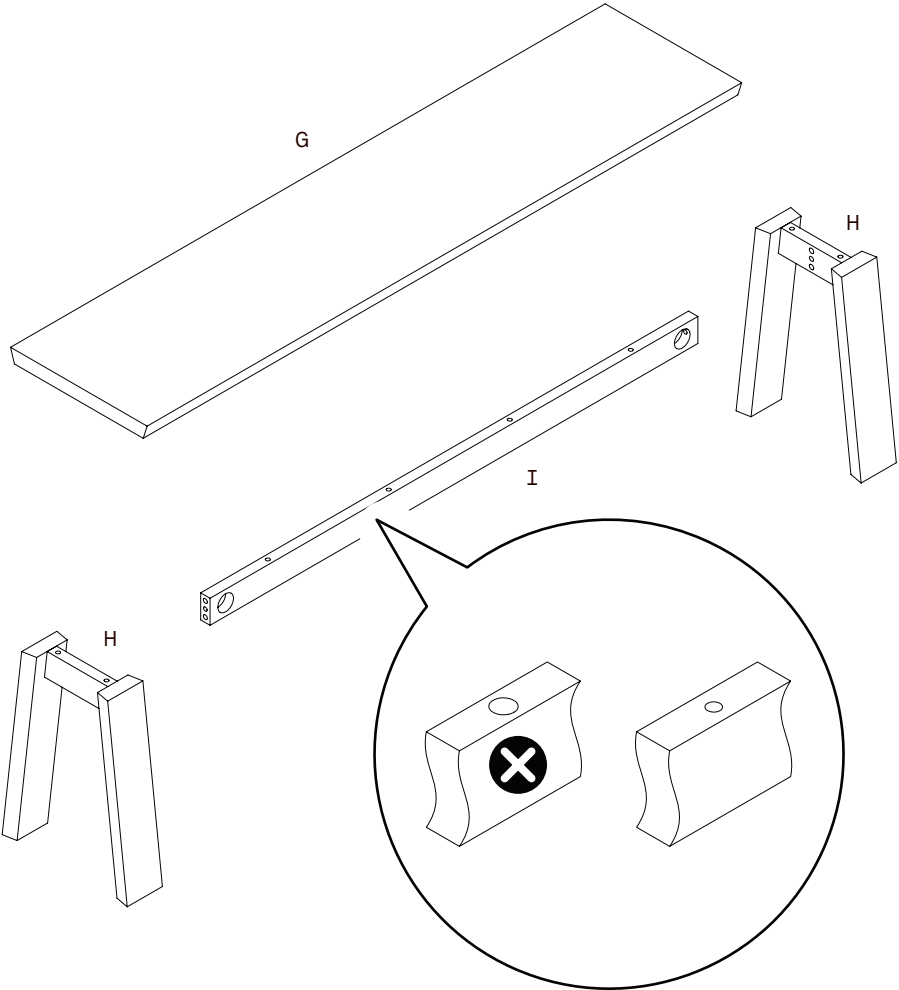
E. Hex Key x1

Parts

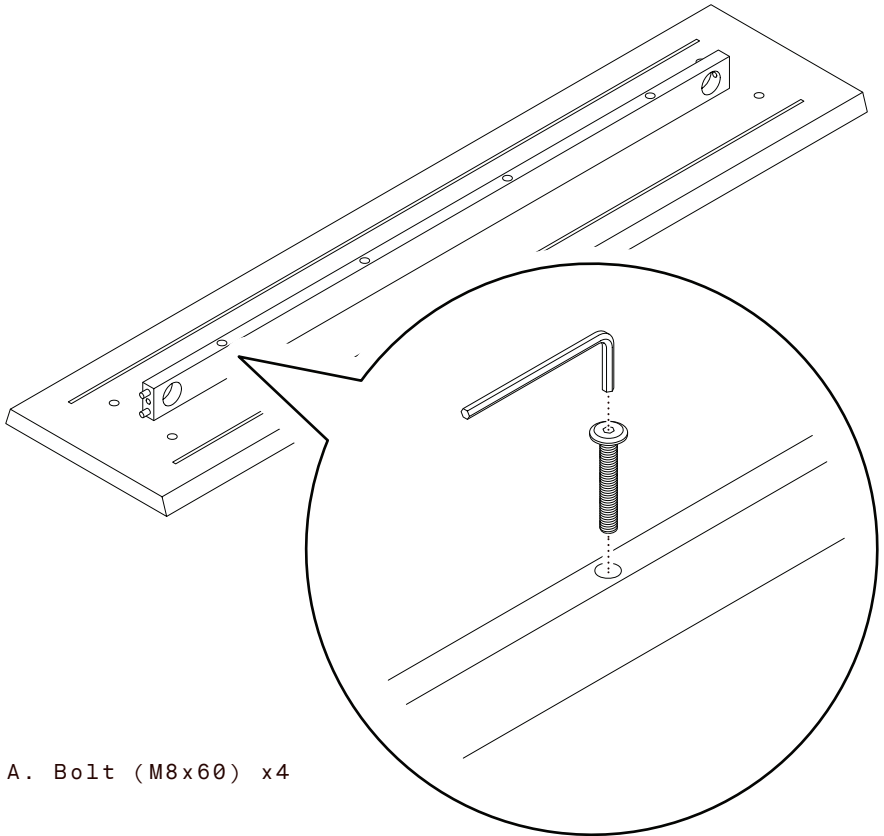
G. Bench Top x1

H. Legs x2

I. Center Support x1



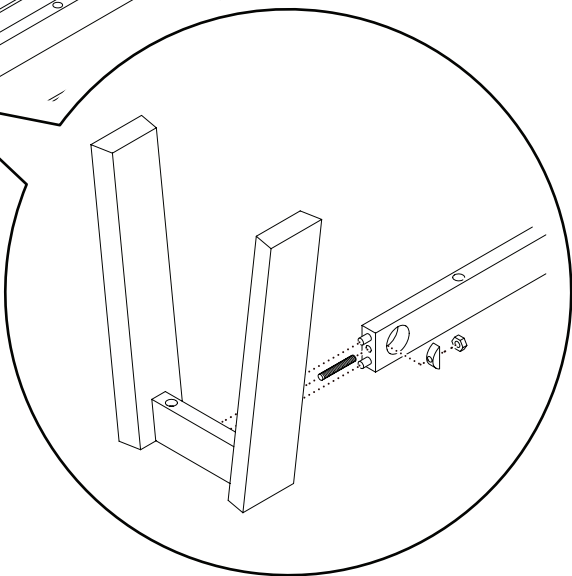
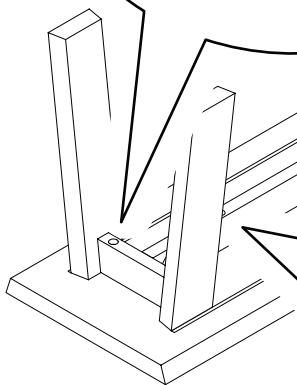
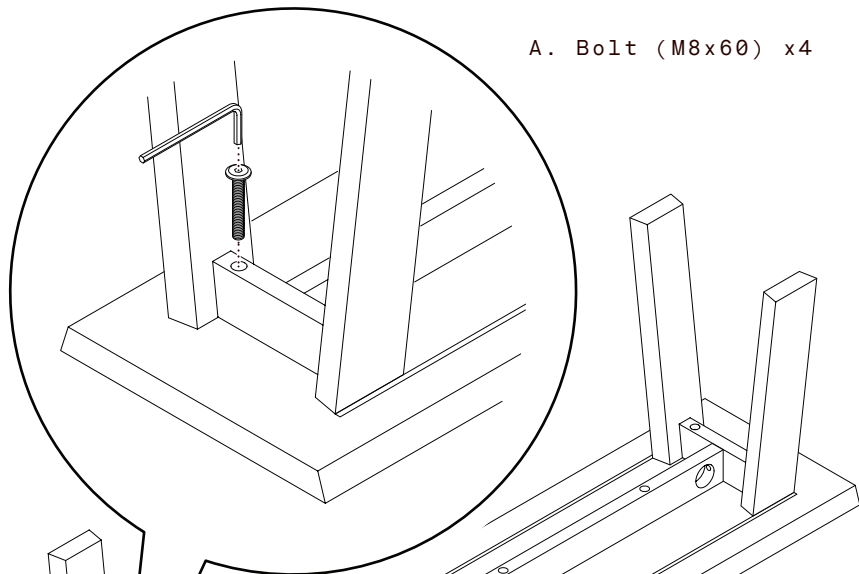
Step 1.



A. Bolt (M8x60) x4

Step 2.

A. Bolt (M8x60) x4



B. Bolt (M8x70) x2

C. Hex Nut (M8) x3

D. Half-Moon Nut x2

NEED MORE HELP?
CONTACT US AT SUPPORT@AKRONSTREET.COM