

Large Tenon Table

HOME STARTS HERE.

Thank You For Choosing Akron Street.

We hope you enjoy your new Akron Street furniture.
We take great care in designing our products for
quick and easy assembly.

If you need any more help, please don't hesitate to
contact us at support@akronstreet.com.

Parts

A. Table Top x1

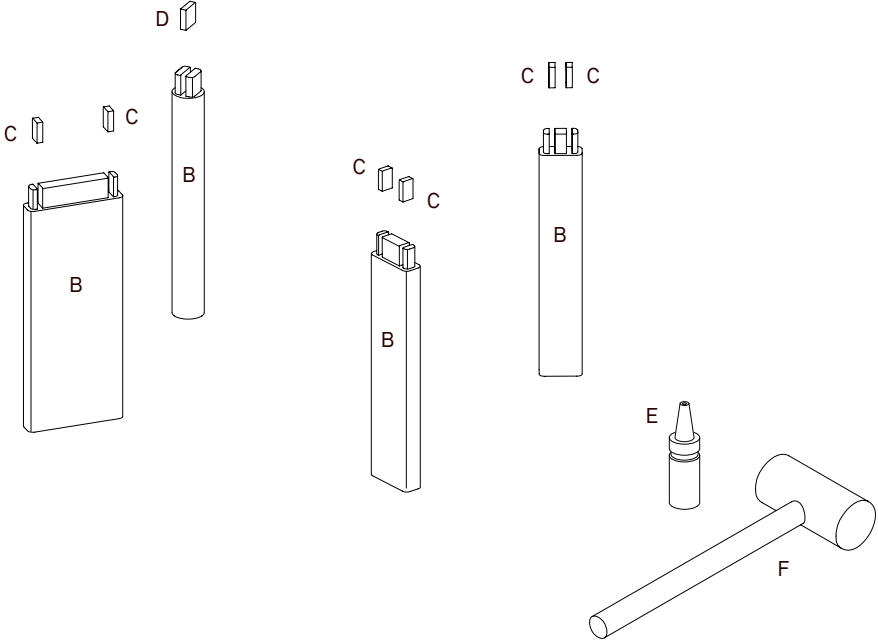
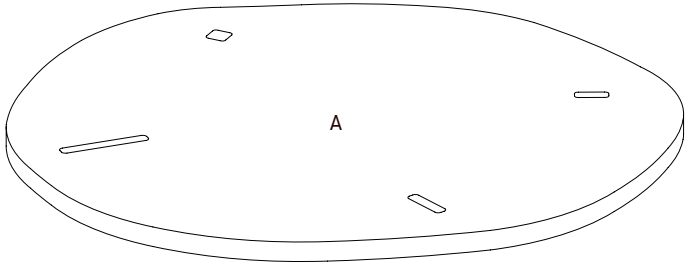
B. Table Leg x4

C. Narrow Wedge x6

D. Wide Wedge x1

E. Wood Glue x1

F. Mallet x1

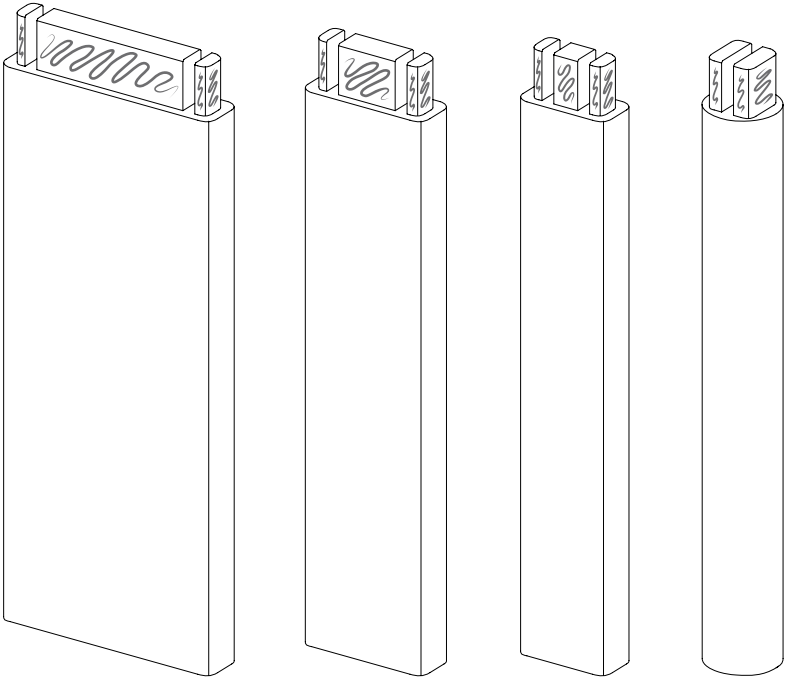


Step 1.



B. Table Leg x4

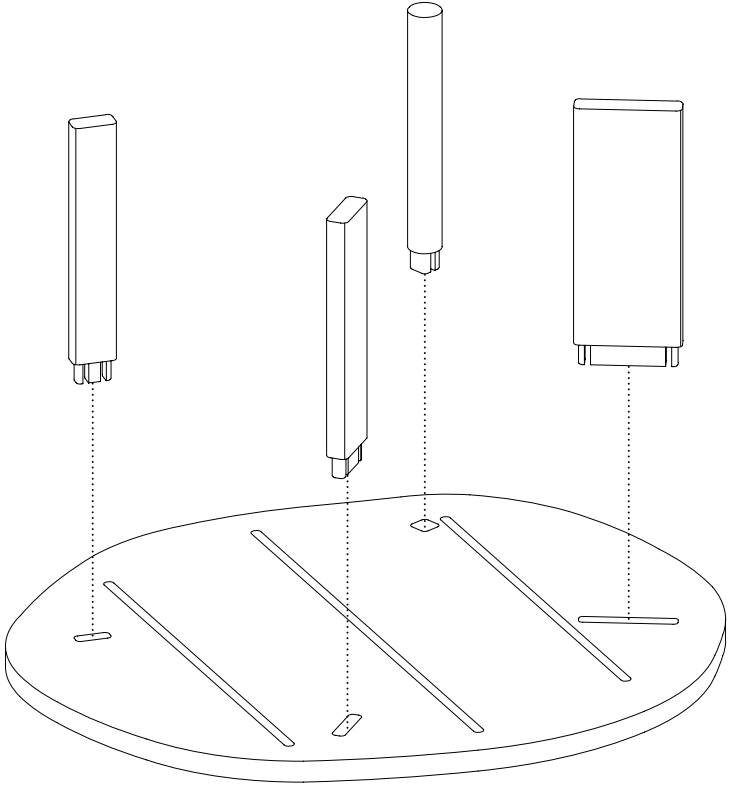
E. Wood Glue x1



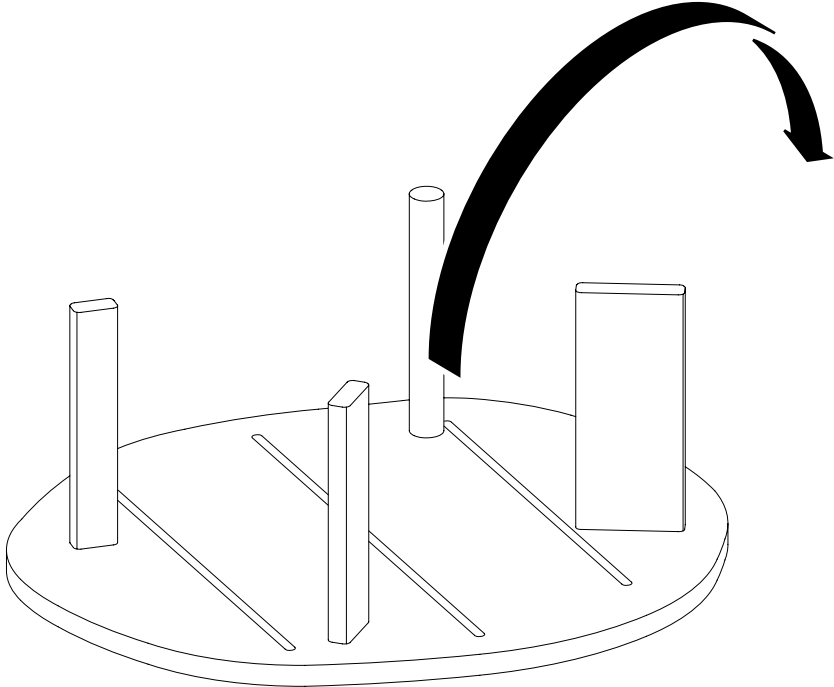
Step 2.

A. Table Top x1

B. Table Leg x4



Step 3.

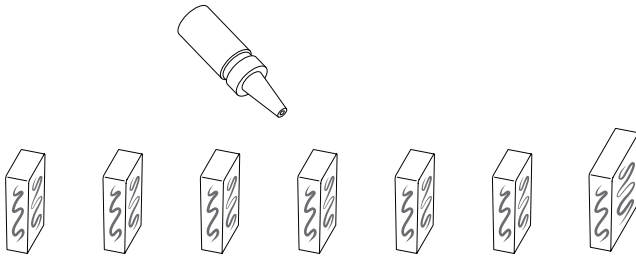


Step 4.

C. Narrow Wedge x6

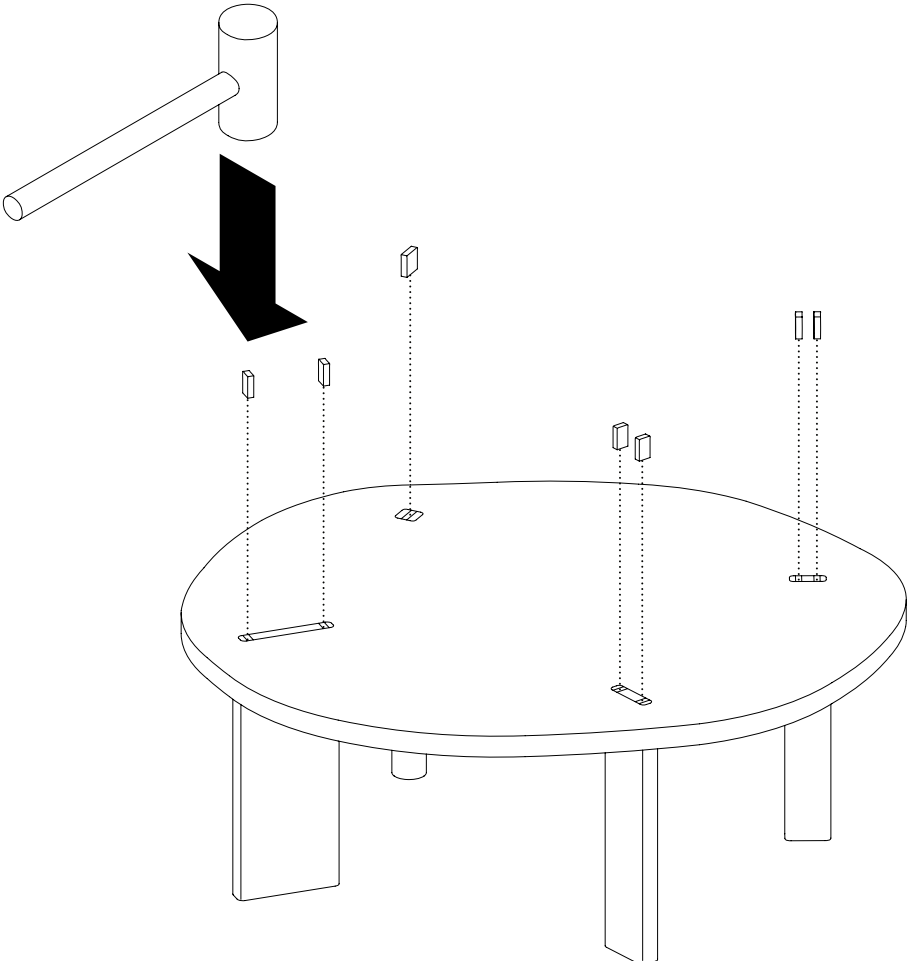
D. Wide Wedge x1

E. Wood Glue x1



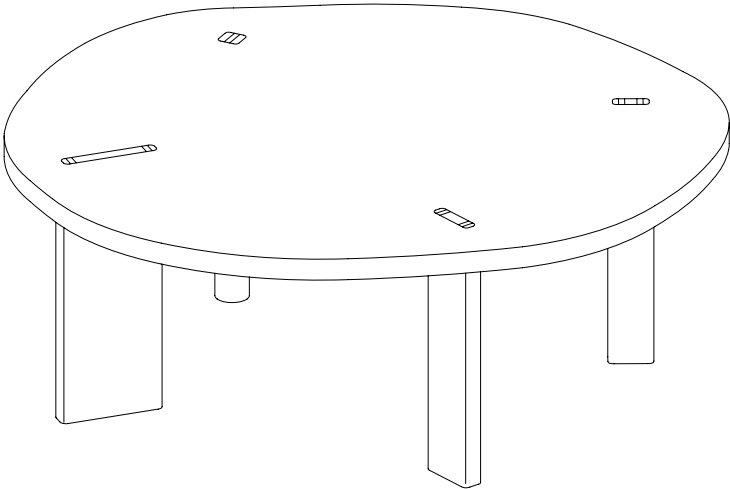
NOTE: Top of wedge is thicker than the bottom.

Step 5.



Step 6.

Let glue dry overnight.



NEED MORE HELP?
CONTACT US AT SUPPORT@AKRONSTREET.COM