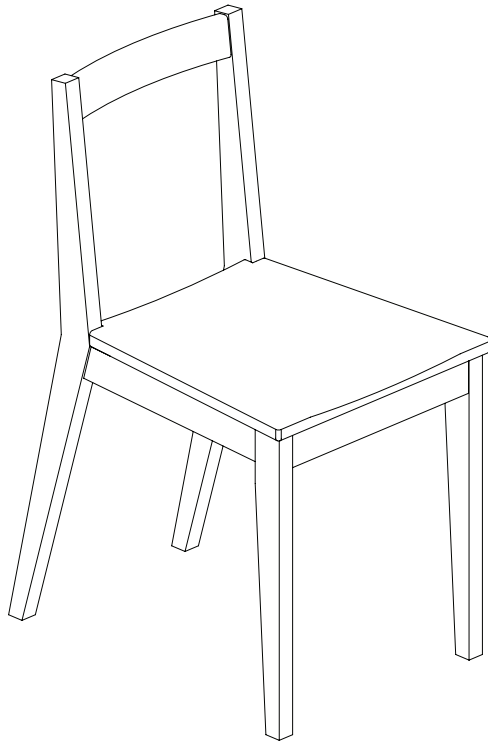


# Concord Chair





HOME STARTS HERE.

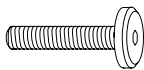
# Thank You For Choosing Akron Street.

We hope you enjoy your new Akron Street furniture.  
We take great care in designing our products for  
quick and easy assembly.

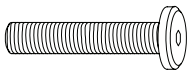
If you need any more help, please don't hesitate to  
contact us at [support@akronstreet.com](mailto:support@akronstreet.com).

---

## Hardware (per chair)



A. Hex Bolt (M6x35) x5



B. Hex Bolt (M8x50) x4



C. Flat Washer (1x9x19) x4

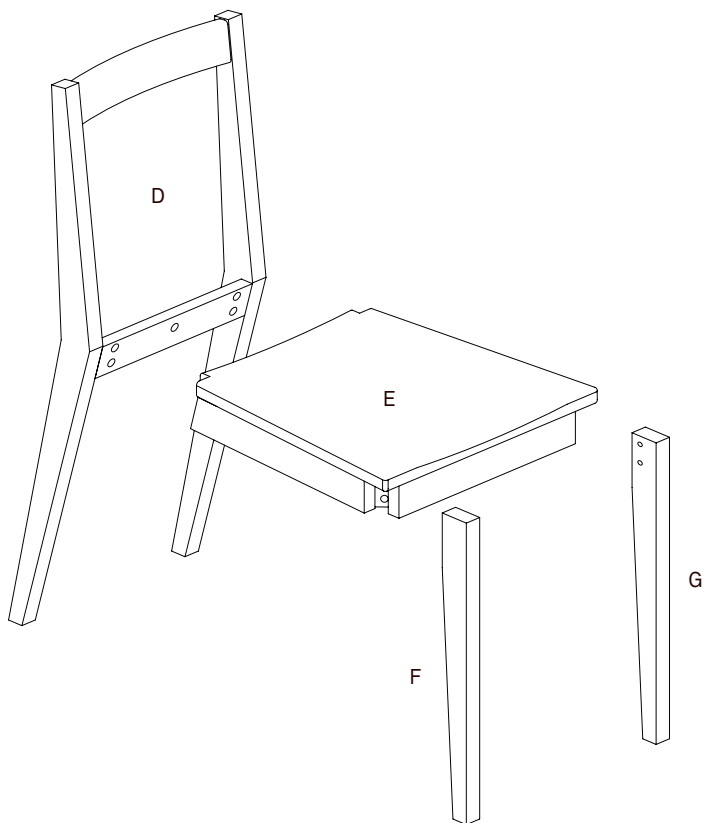
# Parts (per chair)

D. Chair Back x1

E. Chair seat x1

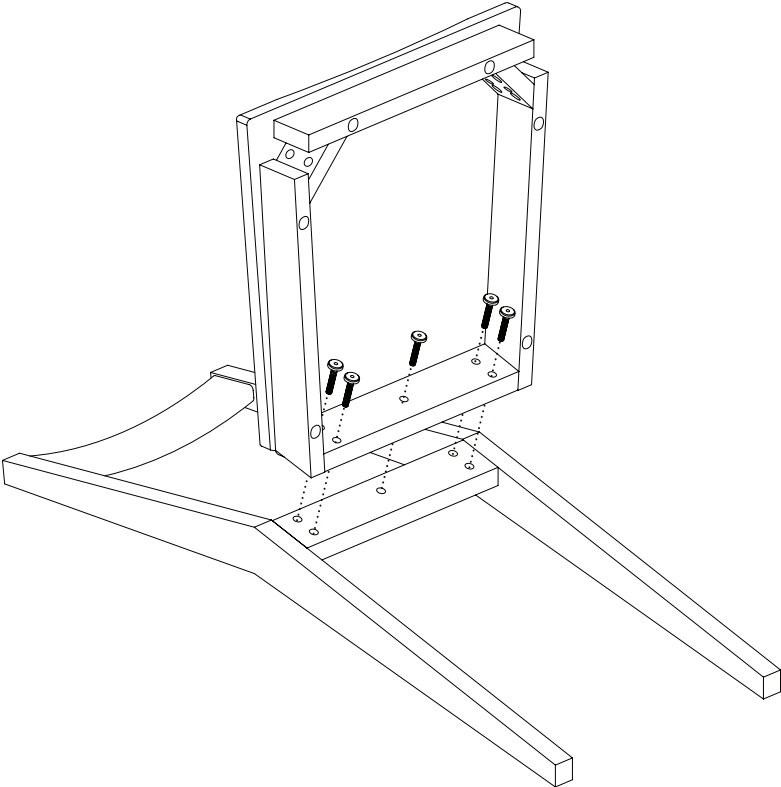
F. Left Leg x1

G. Right Leg x1



# Step 1.

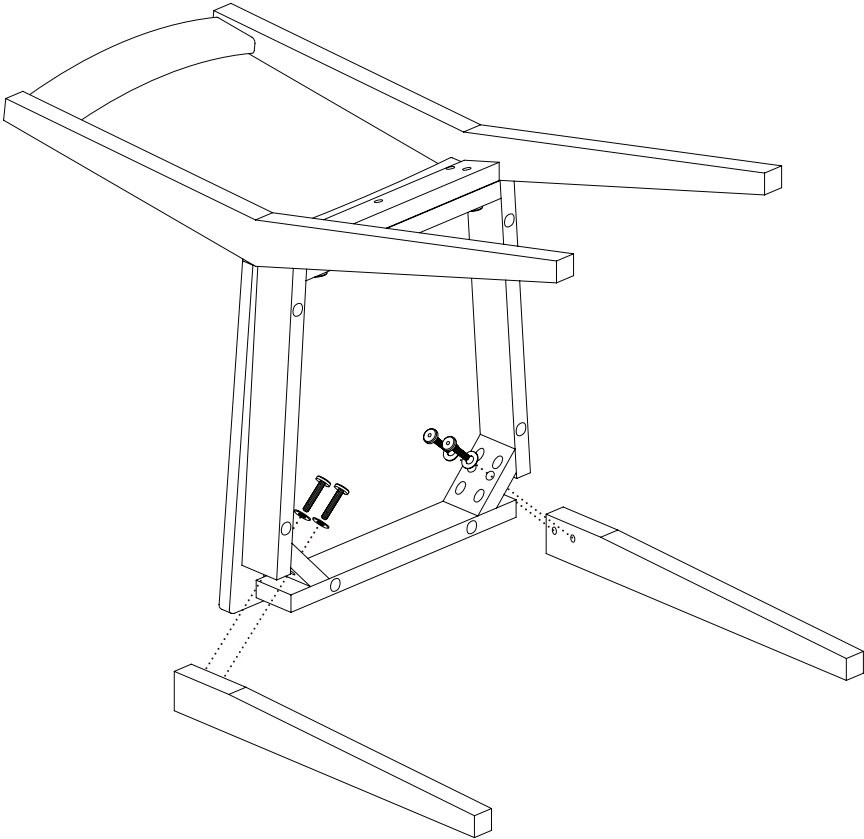
A. Hex Bolt (M6x35) x5



# Step 2.

B. Hex Bolt (M8x50) x4

C. Flat Washer x4



NEED MORE HELP?  
CONTACT US AT [SUPPORT@AKRONSTREET.COM](mailto:SUPPORT@AKRONSTREET.COM)