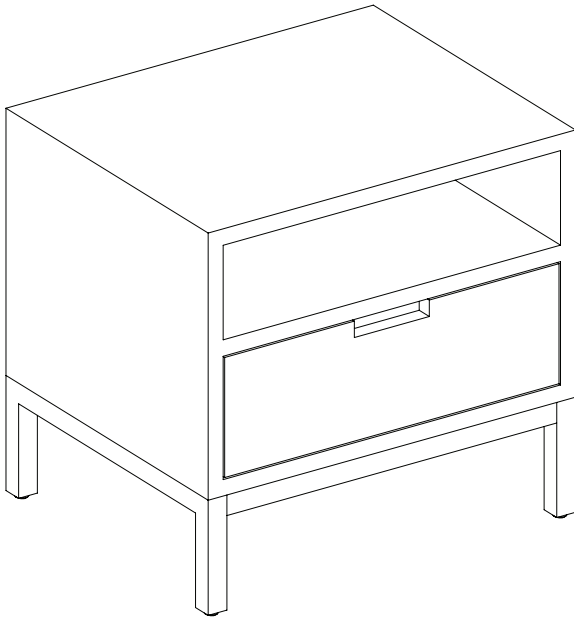


Case Side Table



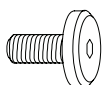
HOME STARTS HERE.

Thank You For Choosing Akron Street.

We hope you enjoy your new Akron Street furniture.
We take great care in designing our products for
quick and easy assembly.

If you need any more help, please don't hesitate to
contact us at support@akronstreet.com.

Hardware



A. Bolt (M6x15) x4

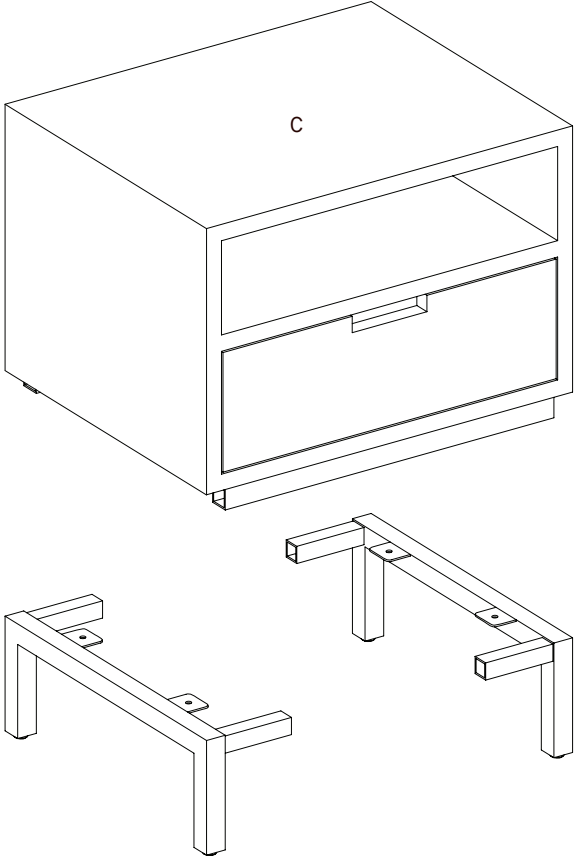


B. Hex Key x1

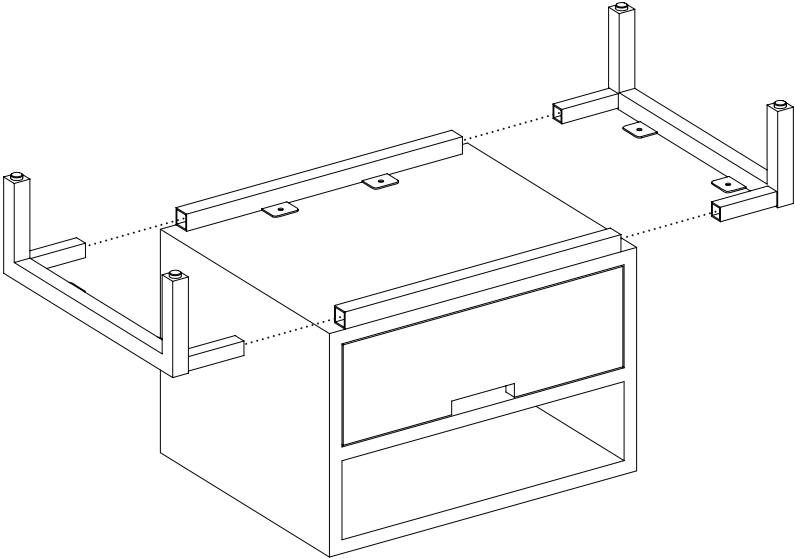
Parts

C. Side Table Body x1

D. Metal Legs x2

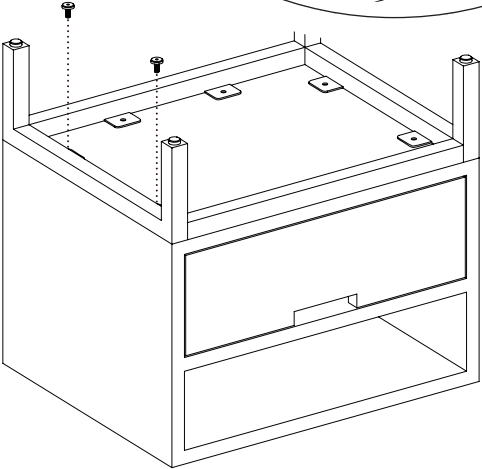
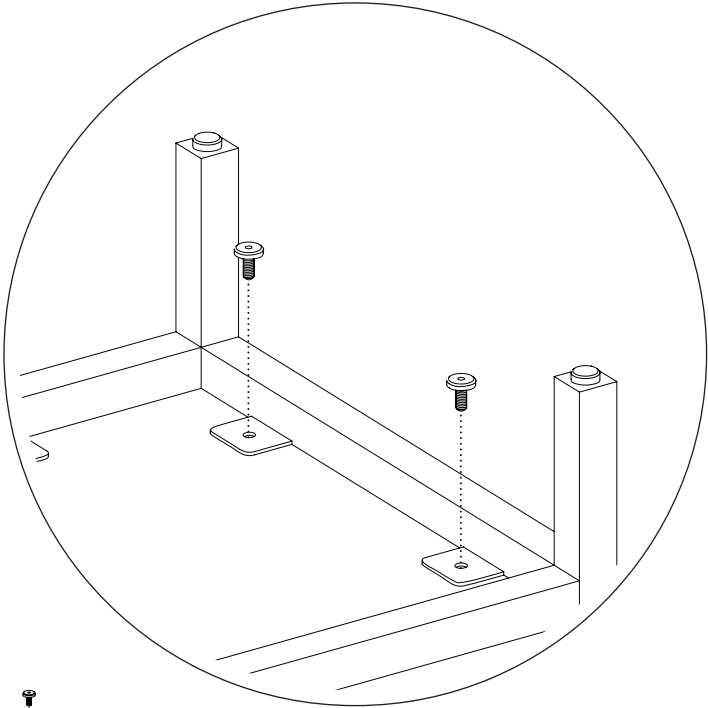


Step 1.



Step 2.

A. Bolt (M6x15) x4



NEED MORE HELP?
CONTACT US AT SUPPORT@AKRONSTREET.COM