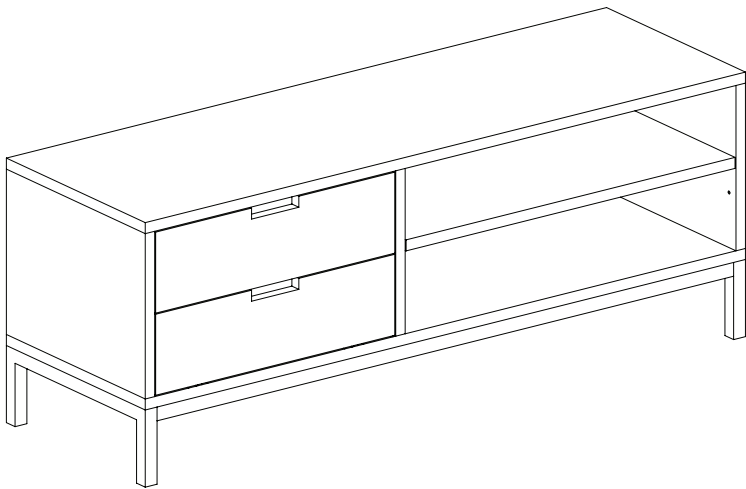


Case Console



Thank You For Choosing Akron Street.

We hope you enjoy your new Akron Street furniture.
We take great care in designing our products for
quick and easy assembly.

If you need any more help, please don't hesitate to
contact us at support@akronstreet.com.

Hardware



A. Hex Bolt (M6x15) x4



B. Shelf Pin x4



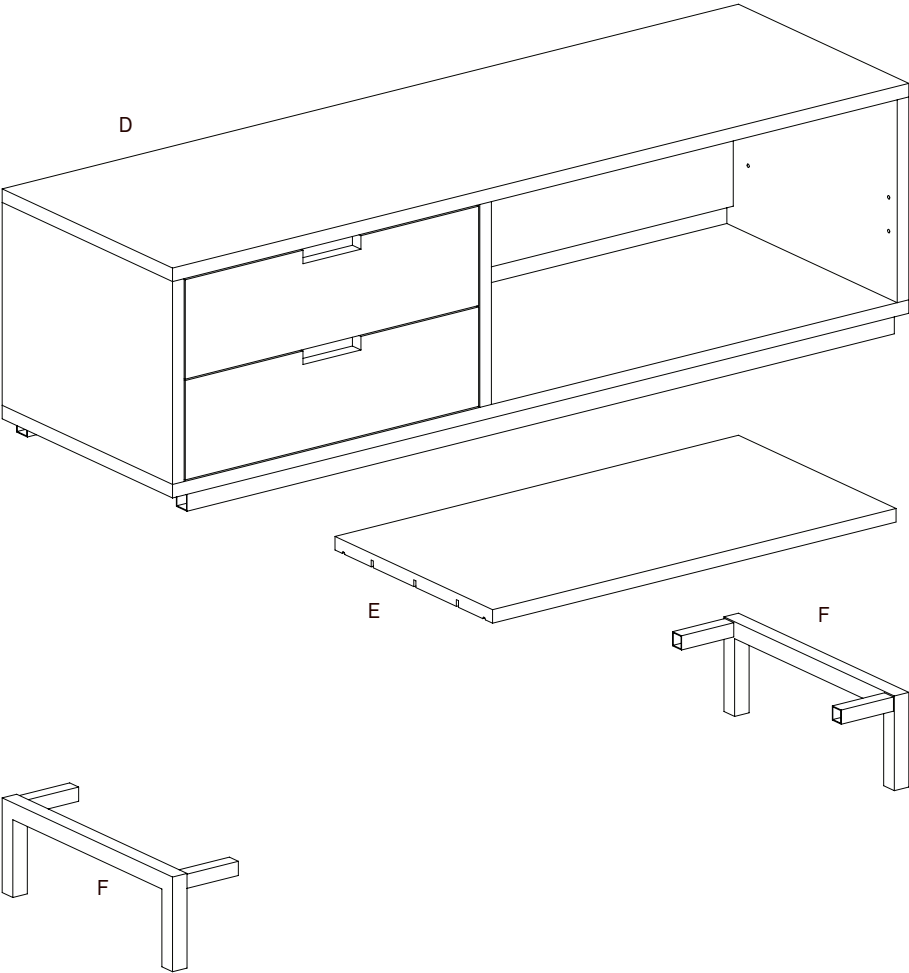
C. Hex Key x1

Parts

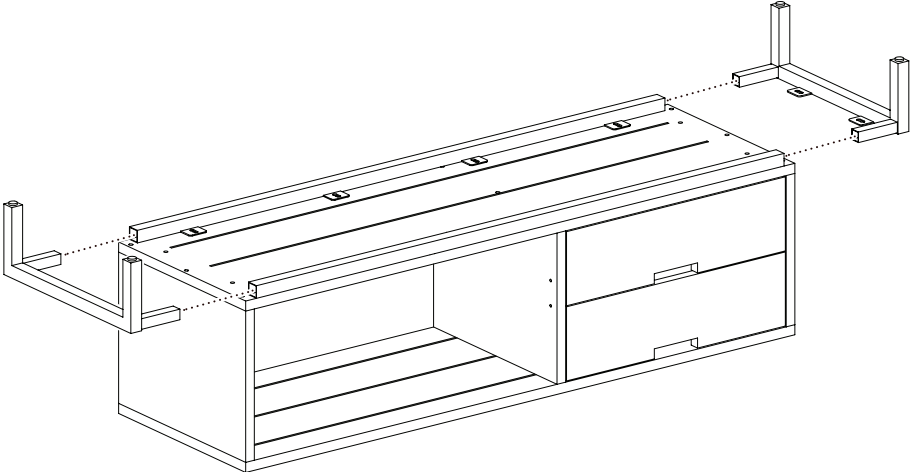
D. Case Console Body x1

E. Shelf x1

F. Metal Leg x2

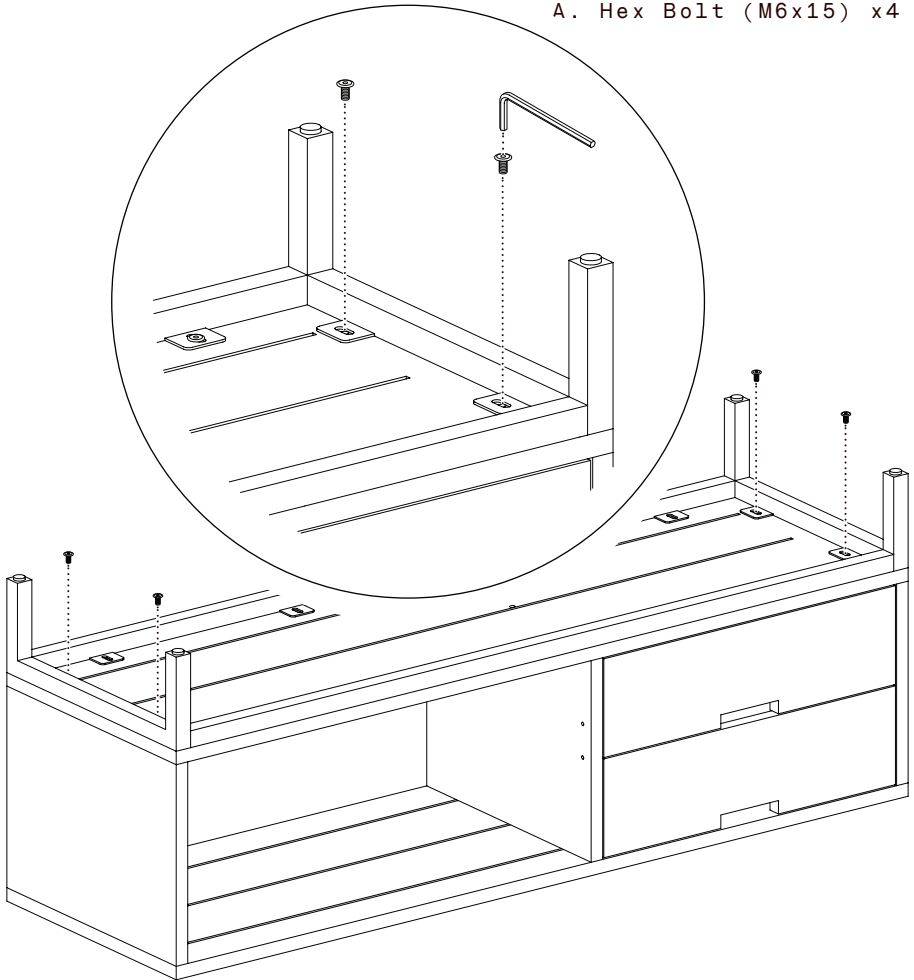


Step 1.

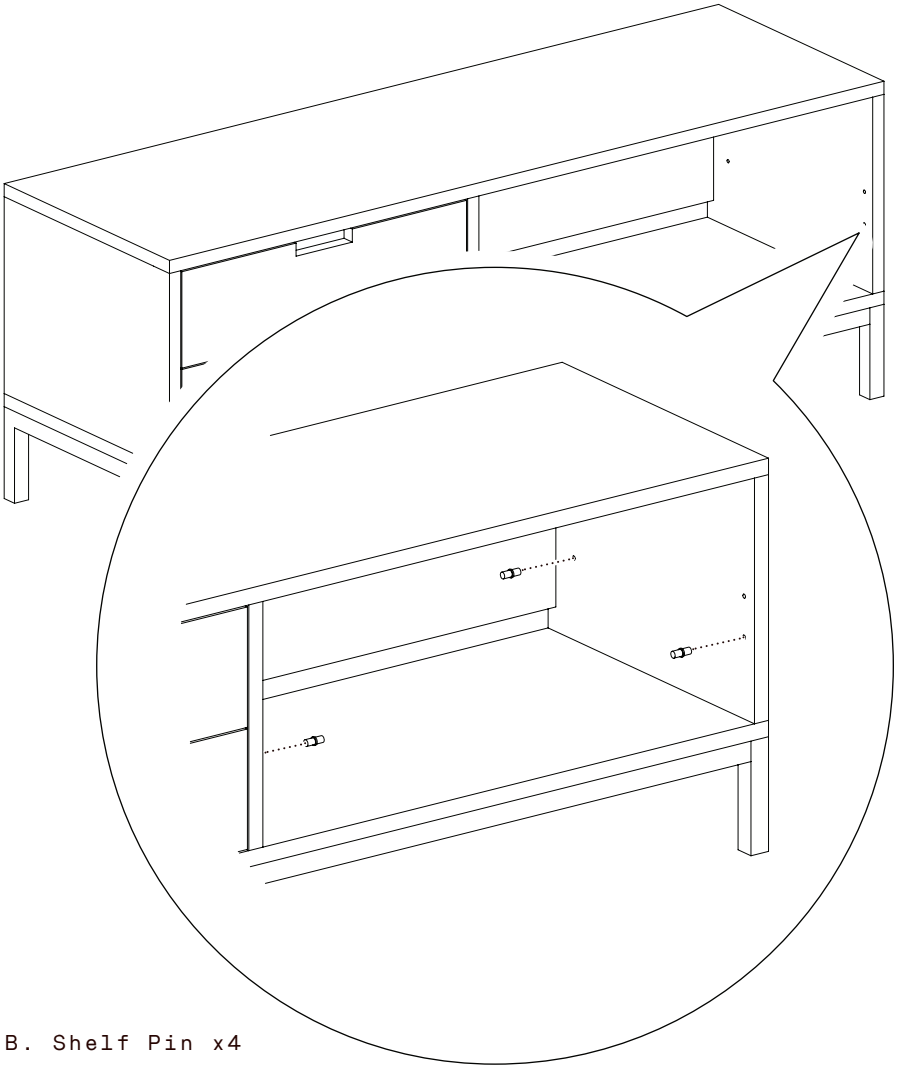


Step 2.

A. Hex Bolt (M6x15) x4

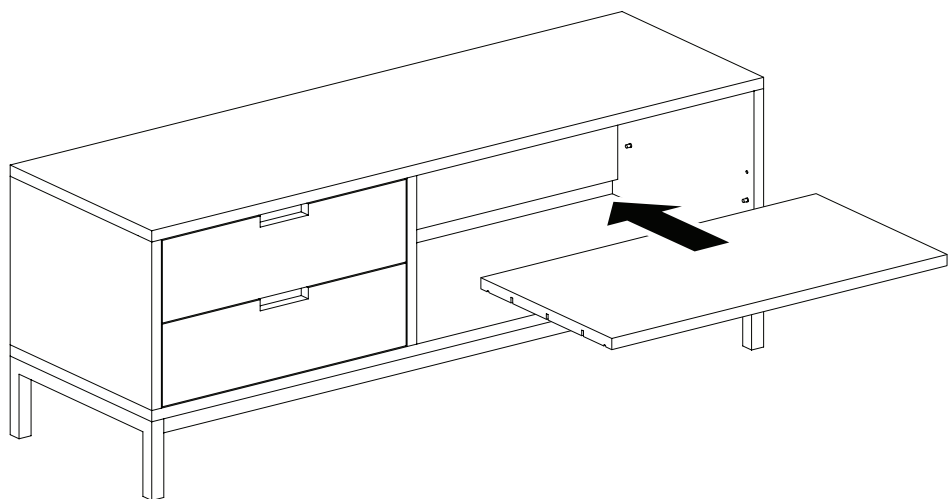


Step 3.



B. Shelf Pin x4

Step 4.



NEED MORE HELP?
CONTACT US AT SUPPORT@AKRONSTREET.COM