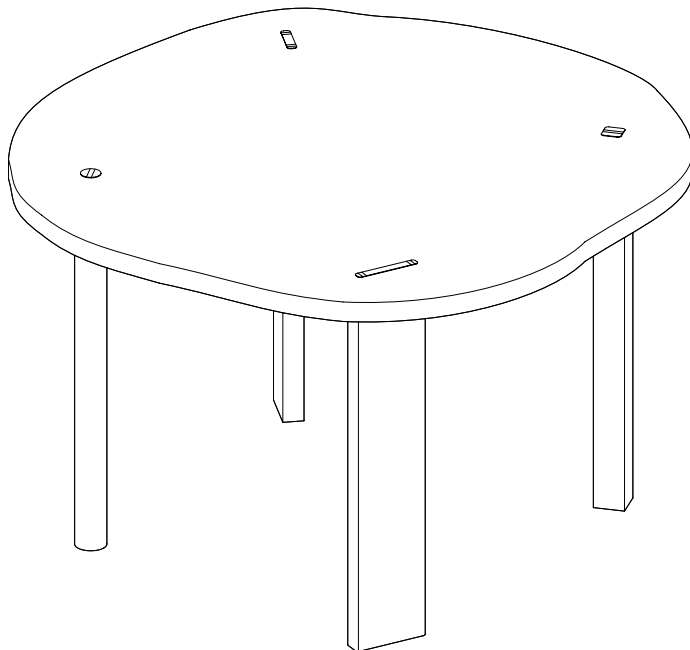


Tenon Dining Table



HOME STARTS HERE.

Thank You For Choosing Akron Street.

We hope you enjoy your new Akron Street furniture.
We take great care in designing our products for
quick and easy assembly.

If you need any more help, please don't hesitate to
contact us at support@akronstreet.com.

Parts

A. Table Top x1

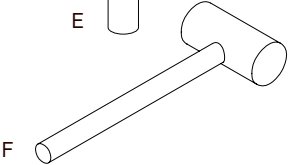
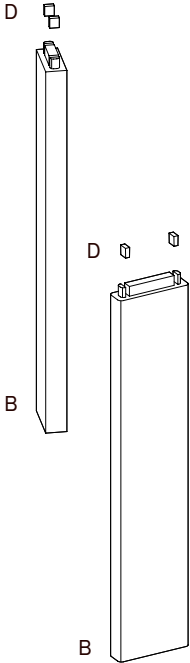
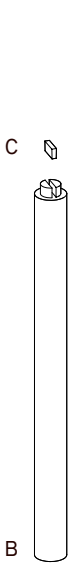
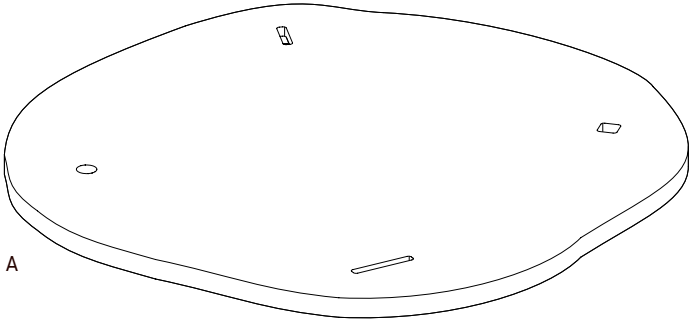
B. Table Leg x4

C. Wide Wedge x2

D. Narrow Wedge x4

E. Wood Glue x1

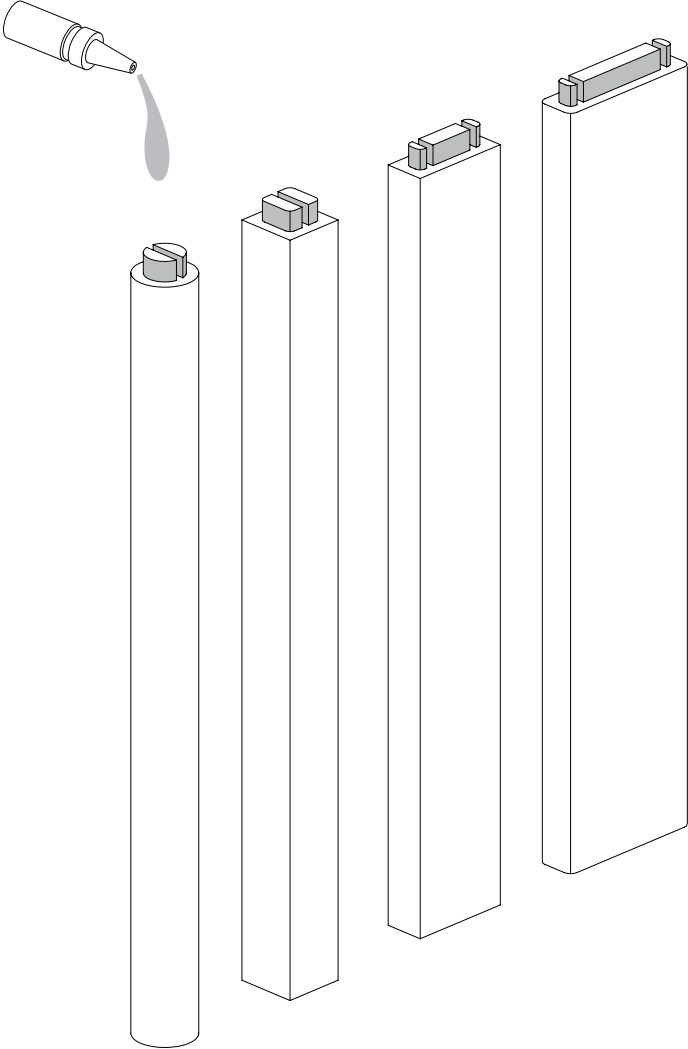
F. Mallet x1



Step 1.

B. Table Leg x4

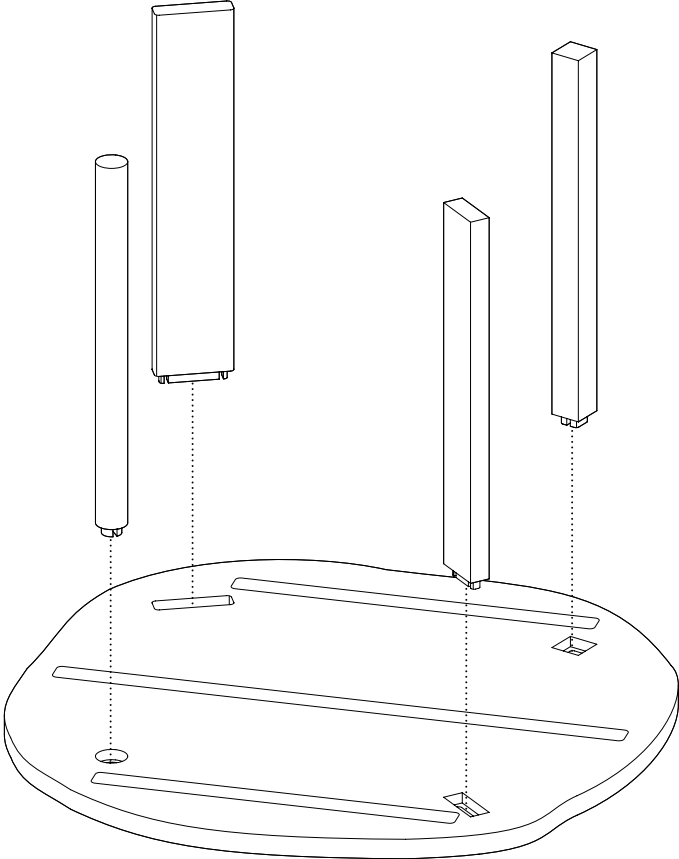
E. Wood Glue x1



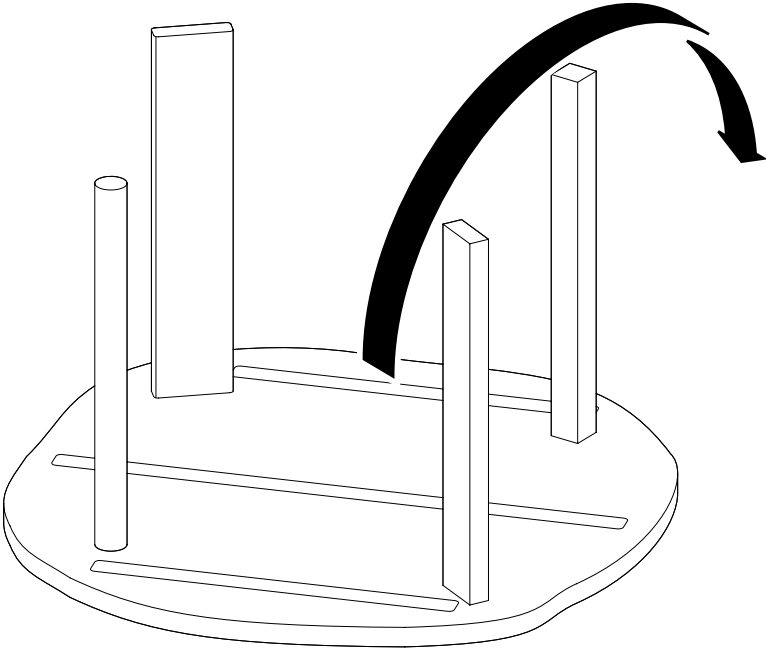
Step 2.

A. Table Top x1

B. Table Leg x4



Step 3.

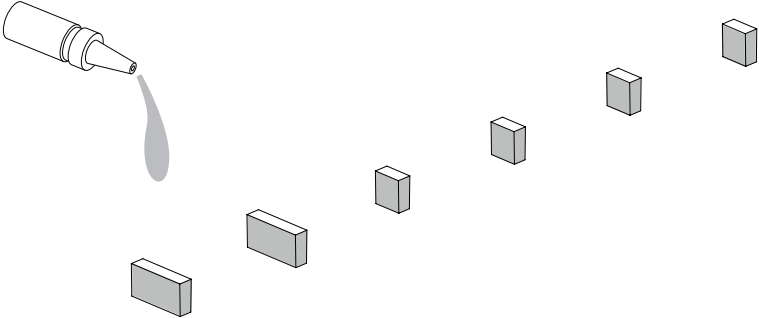


Step 4.

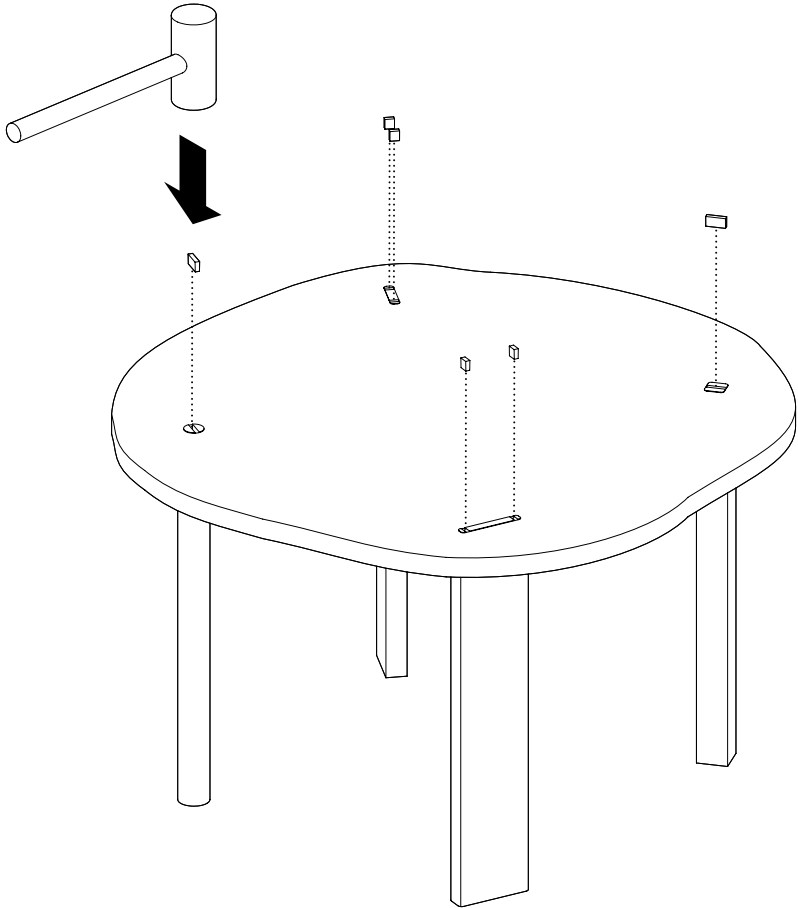
C. Wide Wedge x2

D. Narrow Wedge x4

E. Wood Glue x1



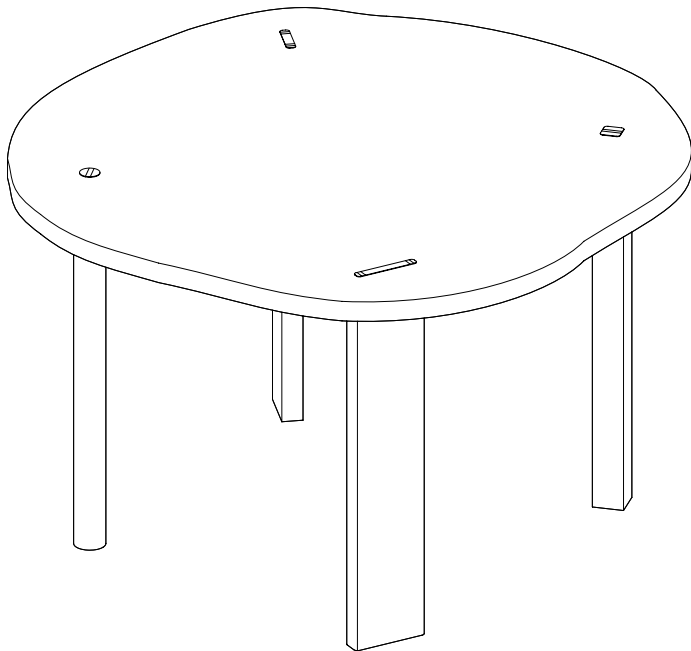
Step 5.



Step 6.

Wipe off excess glue.

Let dry overnight.



NEED MORE HELP?
CONTACT US AT SUPPORT@AKRONSTREET.COM