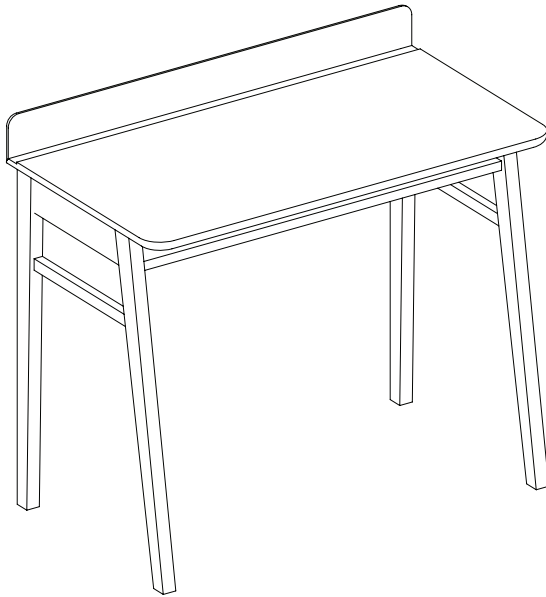


# Reader Desk



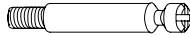


# Thank You For Choosing Akron Street.

We hope you enjoy your new Akron Street furniture.  
We take great care in designing our products for  
quick and easy assembly.

If you need any more help, please don't hesitate to  
contact us at [support@akronstreet.com](mailto:support@akronstreet.com).

# Hardware



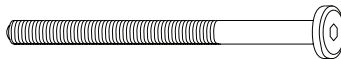
A. Steel Dowel x6



B. Minifix Housing x6



C. Wooden Dowel x12



D. M6 90mm Bolt x7



E. Hex Key x1

# Parts

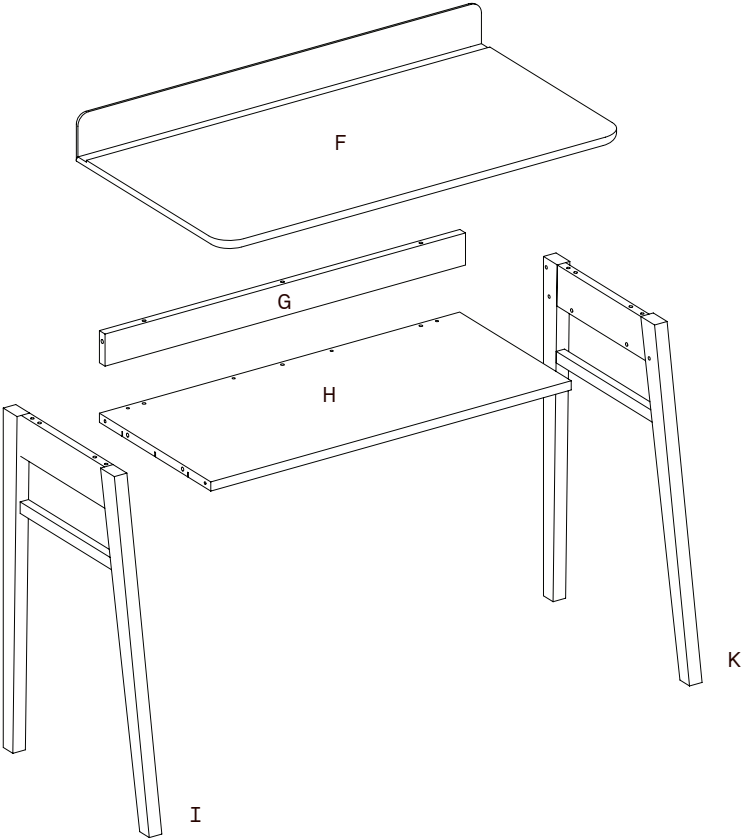
F. Desk Top x1

G. Back Panel x1

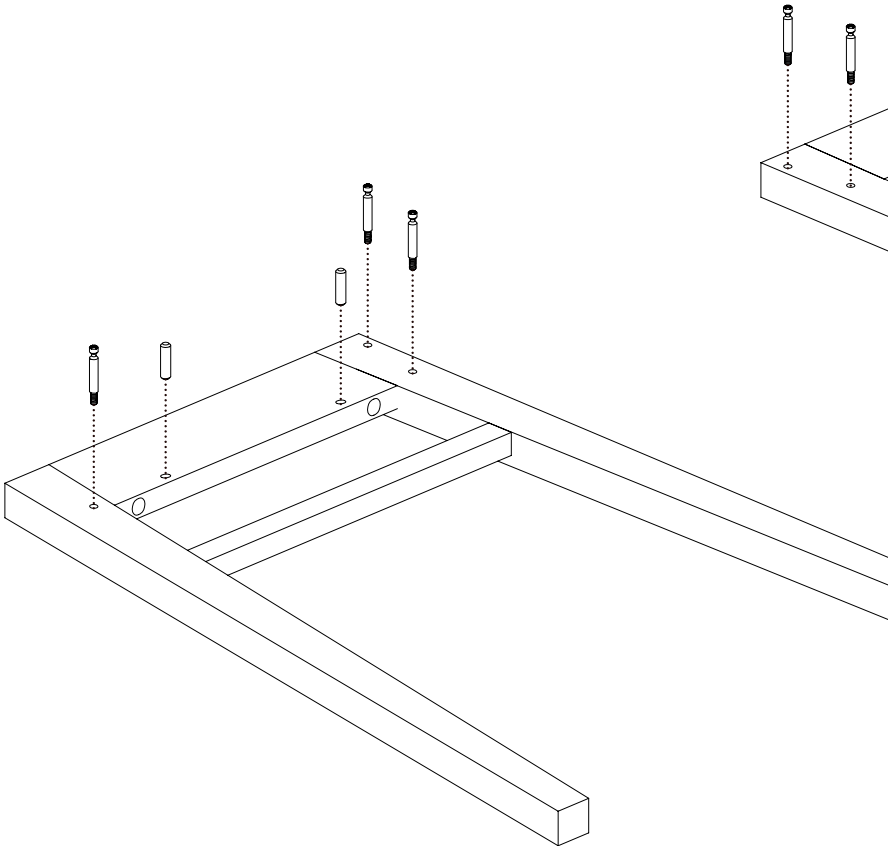
H. Shelf x1

I. Left Leg x1

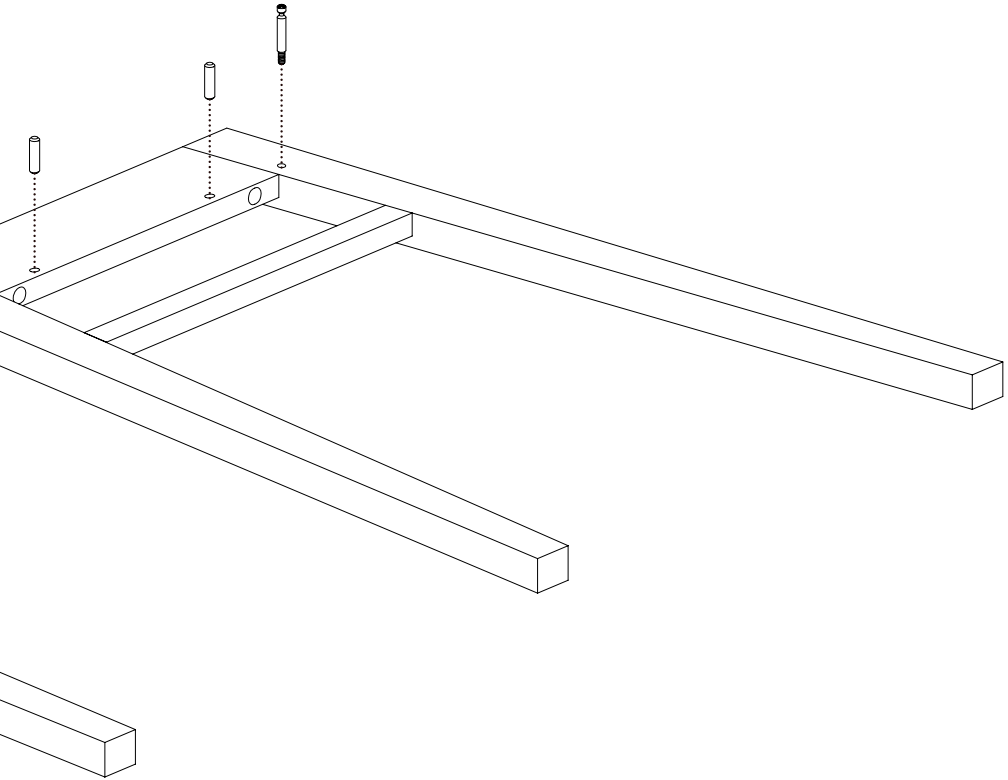
K. Right Leg x1



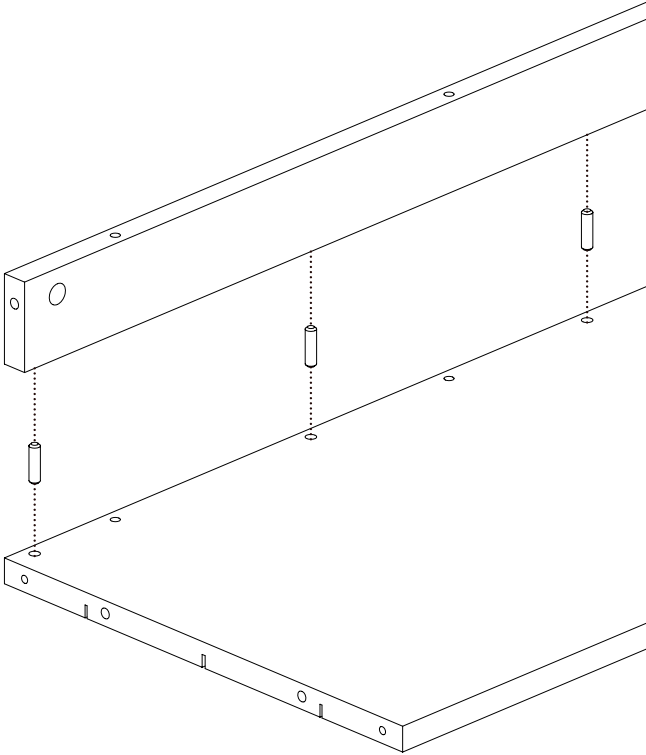
# Step 1.



- A. Steel Dowel x6
- C. Wooden Dowel x4
- I. Left Leg x1
- K. Right Leg x1



# Step 2.

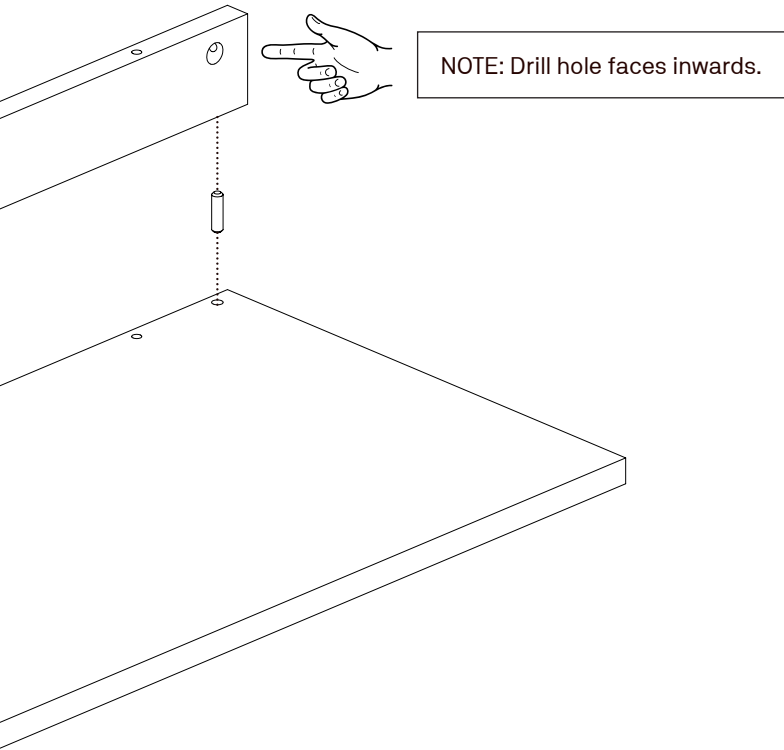




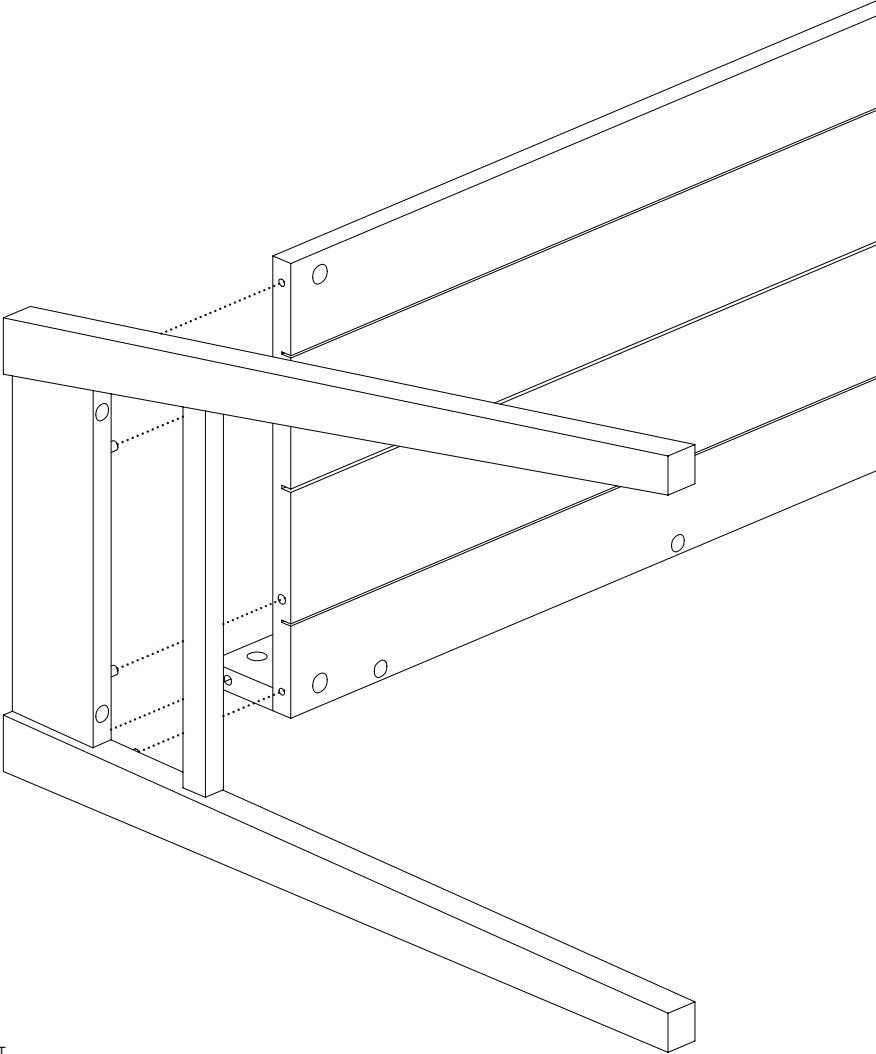
C. Wooden Dowel x4

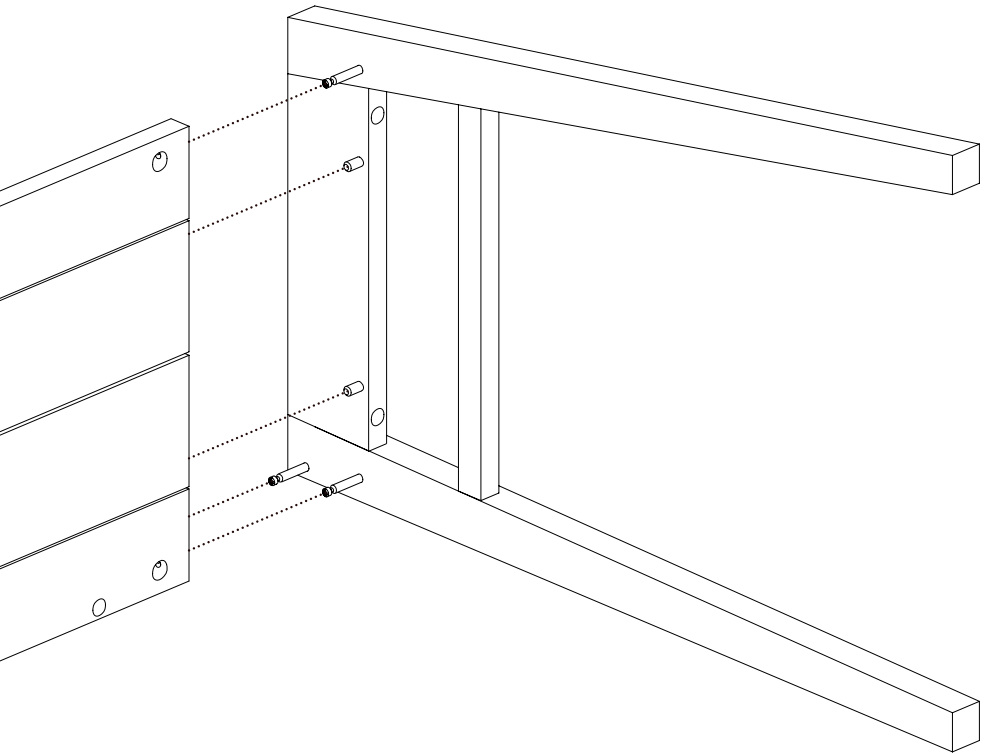
G. Back Panel x1

H. Shelf x1



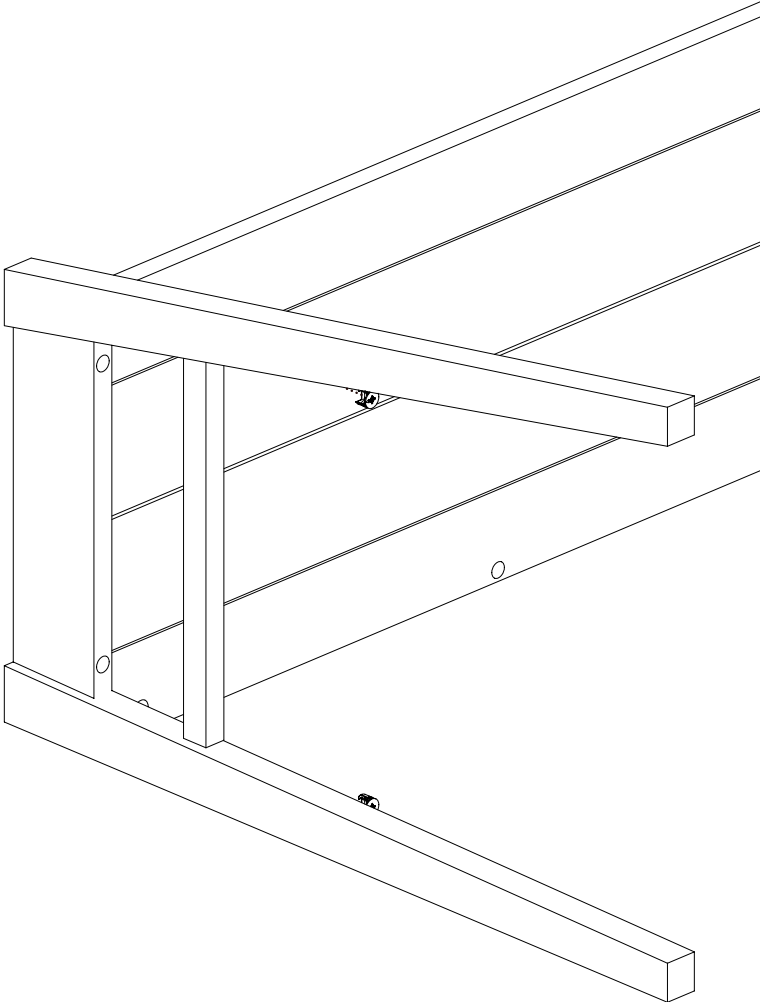
# Step 3.



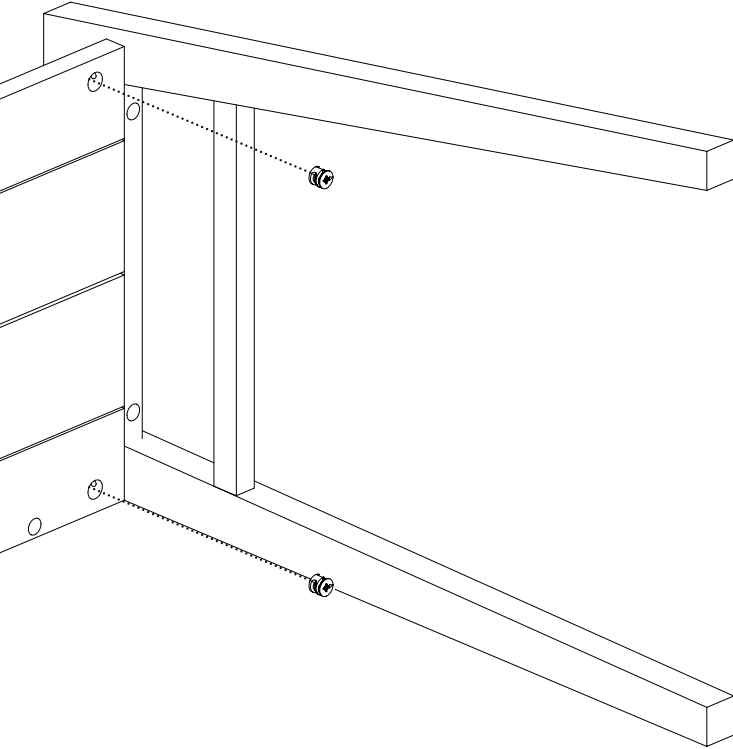


READER DESK

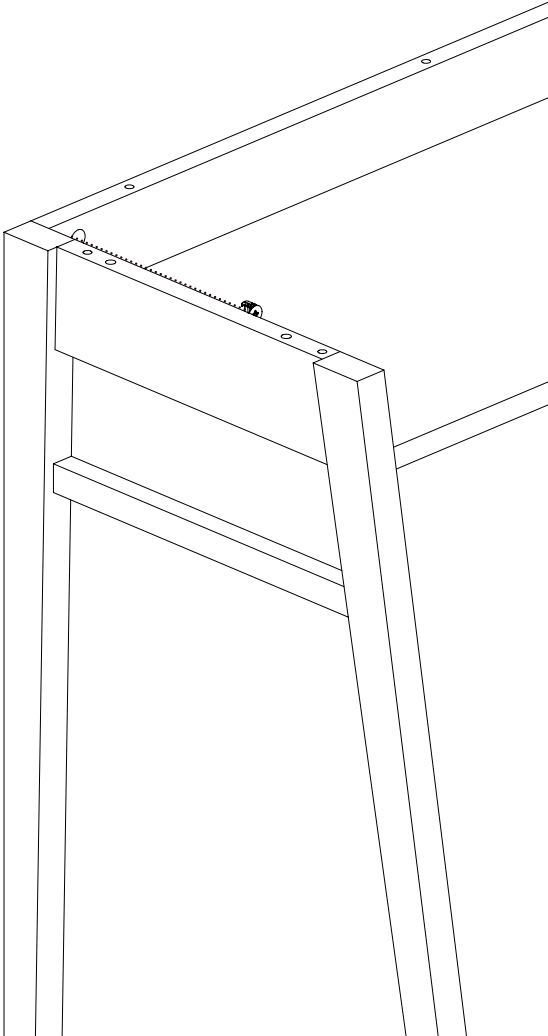
# Step 4.



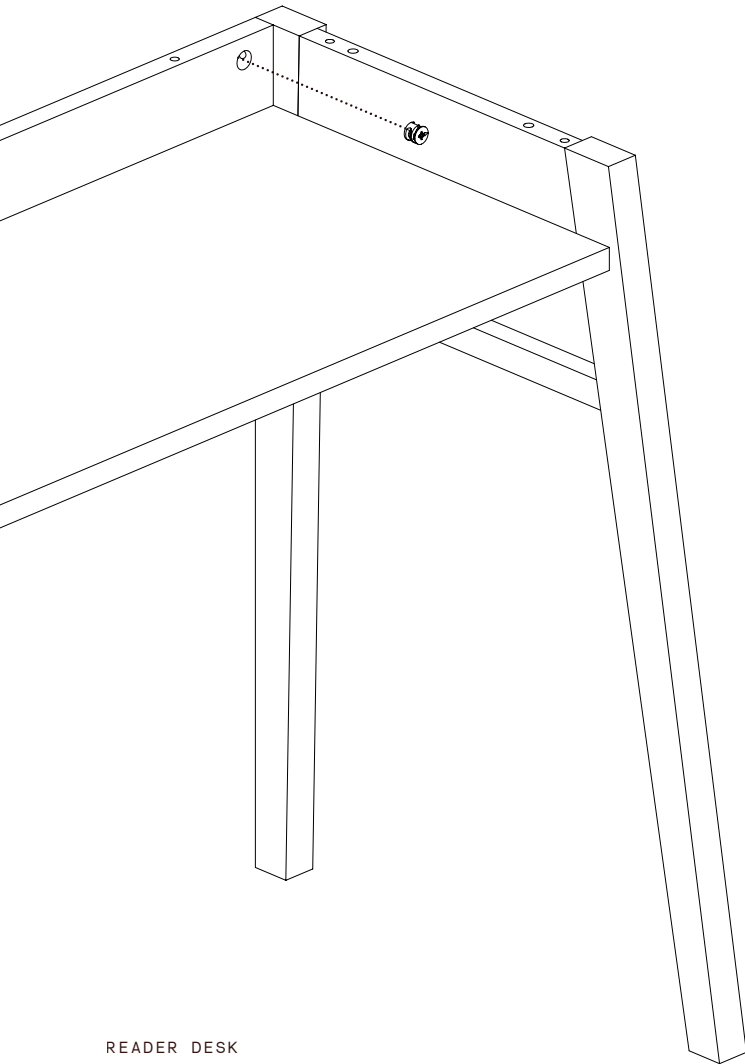
B. Minifix Housing x4



# Step 5.

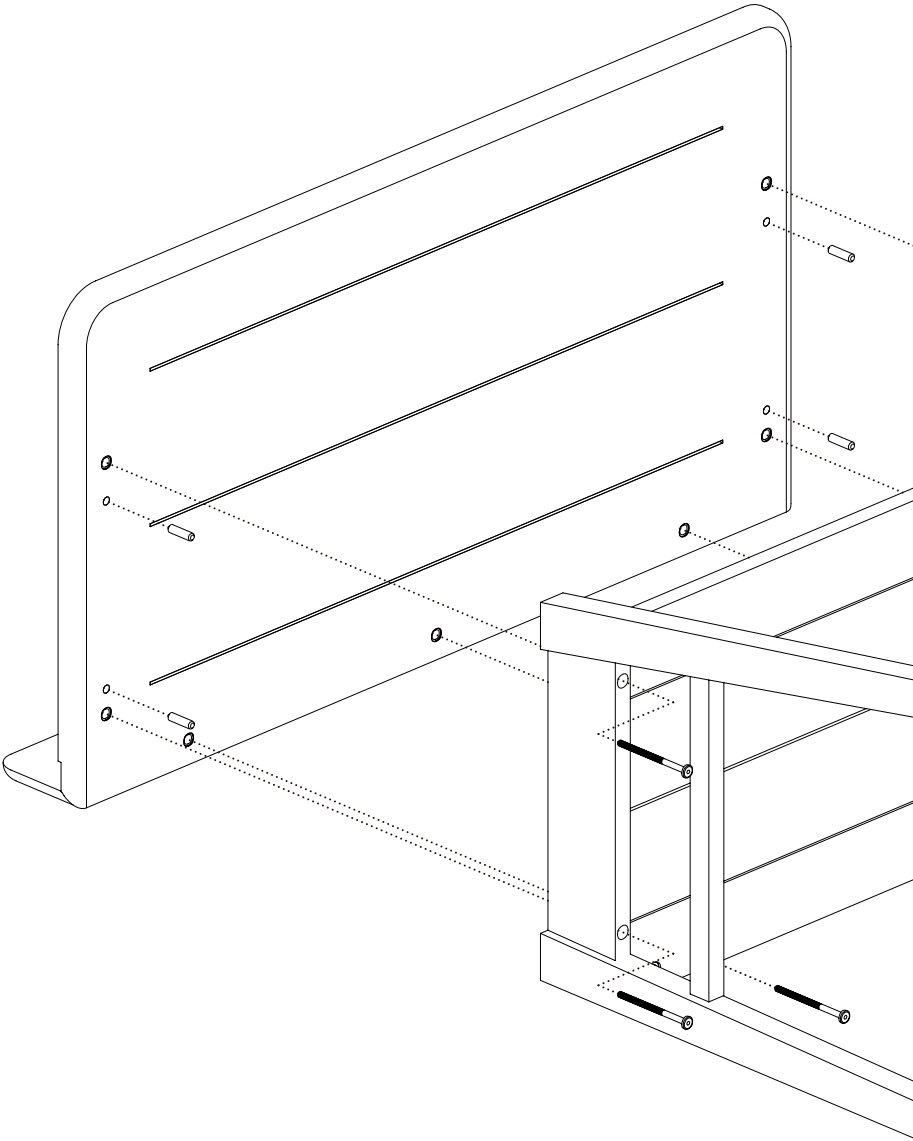


B. Minifix Housing x2



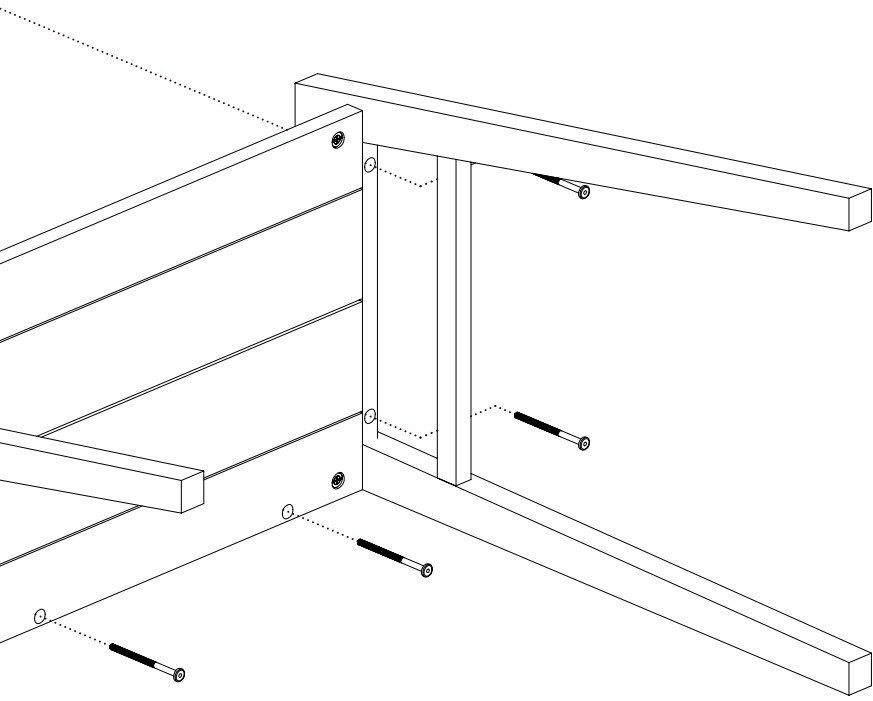
READER DESK

# Step 6.

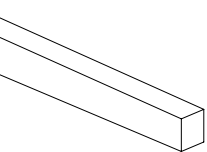




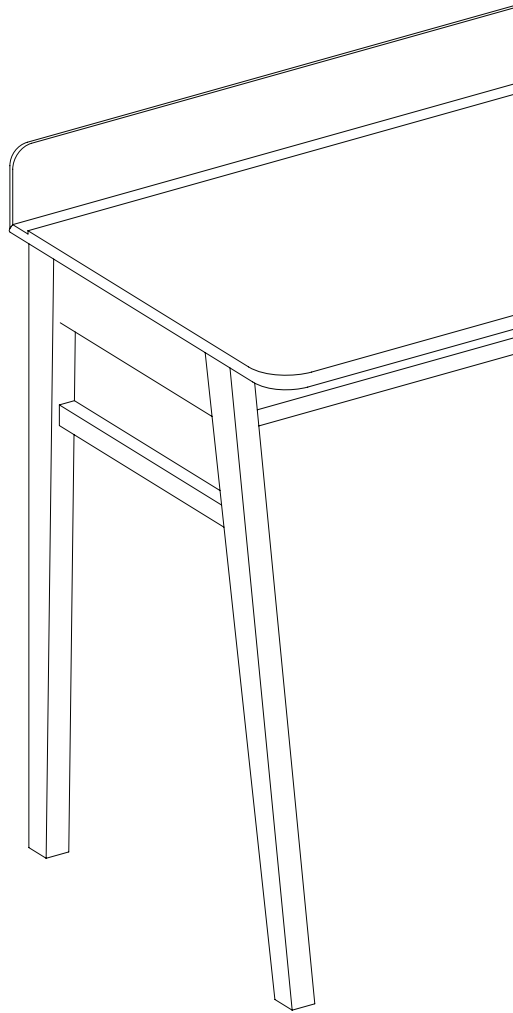
- C. Wooden Dowel x4
- D. M6 90mm Bolt x7
- F. Desk Top x1



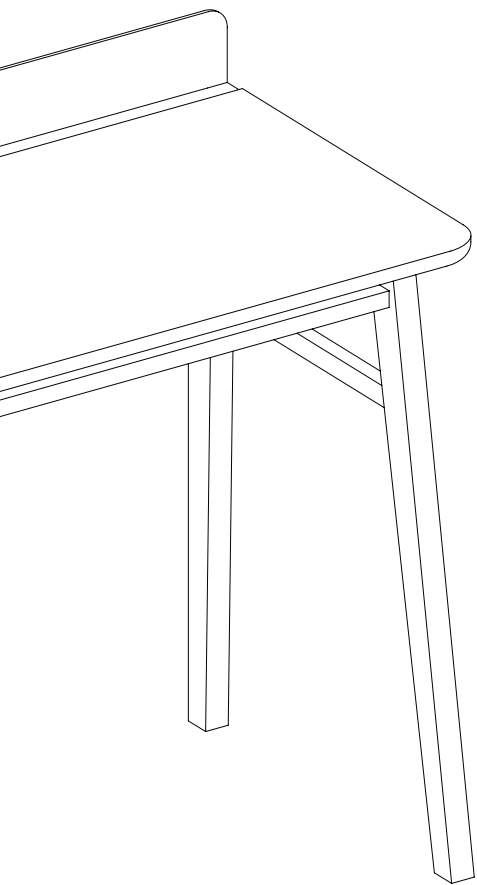
TIP: To ensure proper alignment, loosely screw in all the bolts first before going back to fully tighten.



READER DESK



AKRON STREET



READER DESK

NEED MORE HELP?  
CONTACT US AT [SUPPORT@AKRONSTREET.COM](mailto:SUPPORT@AKRONSTREET.COM)