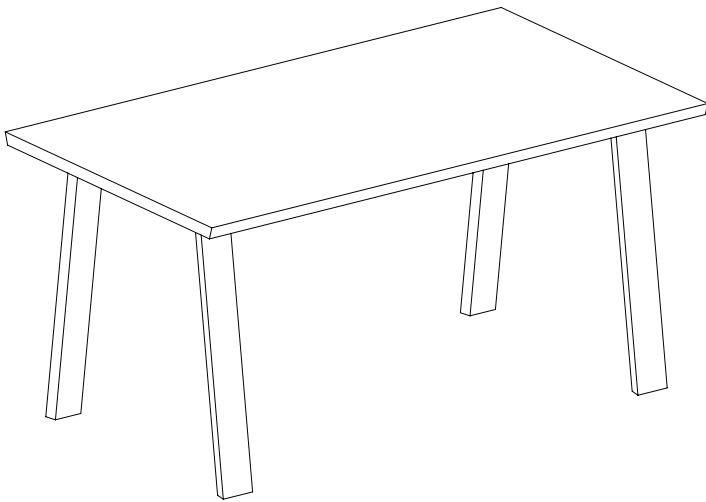


# Kanto Table



HOME STARTS HERE.

# Thank You For Choosing Akron Street.

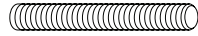
We hope you enjoy your new Akron Street furniture.  
We take great care in designing our products for  
quick and easy assembly.

If you need any more help, please don't hesitate to  
contact us at [support@akronstreet.com](mailto:support@akronstreet.com).

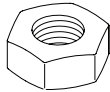
# Hardware



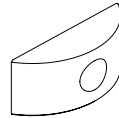
A. Bolt (M8x60) x12



B. Headless Bolt (M8x70) x2



C. Hex Nut (M8) x2



D. Half-Moon Nut x2



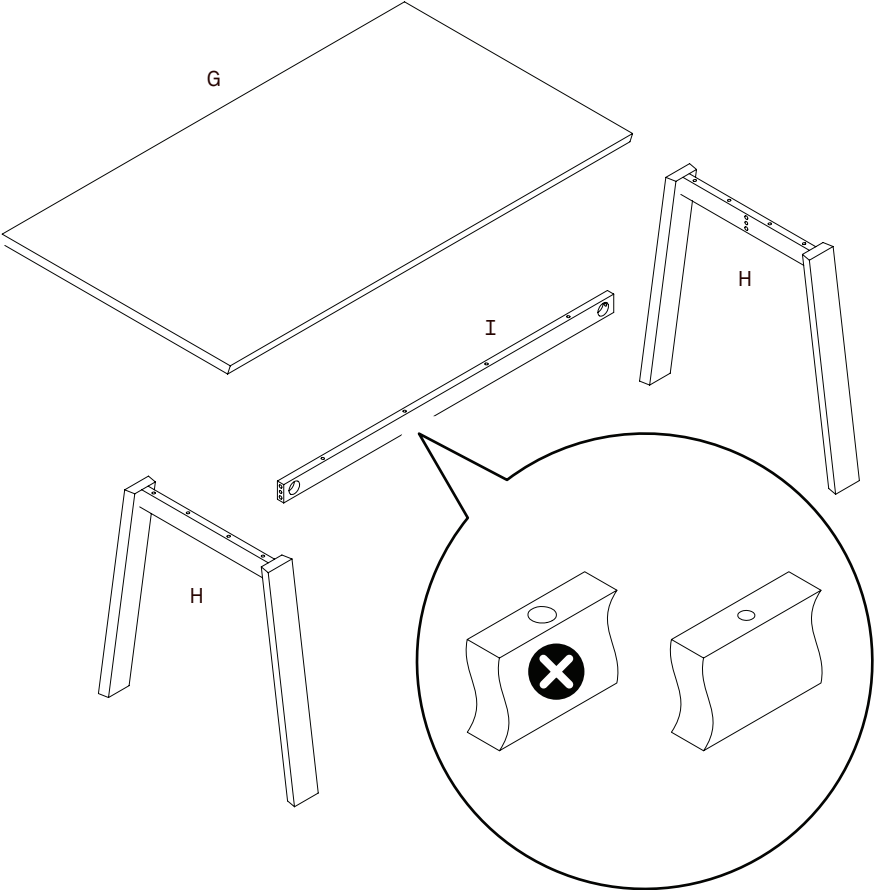
E. Hex Key x1

# Parts

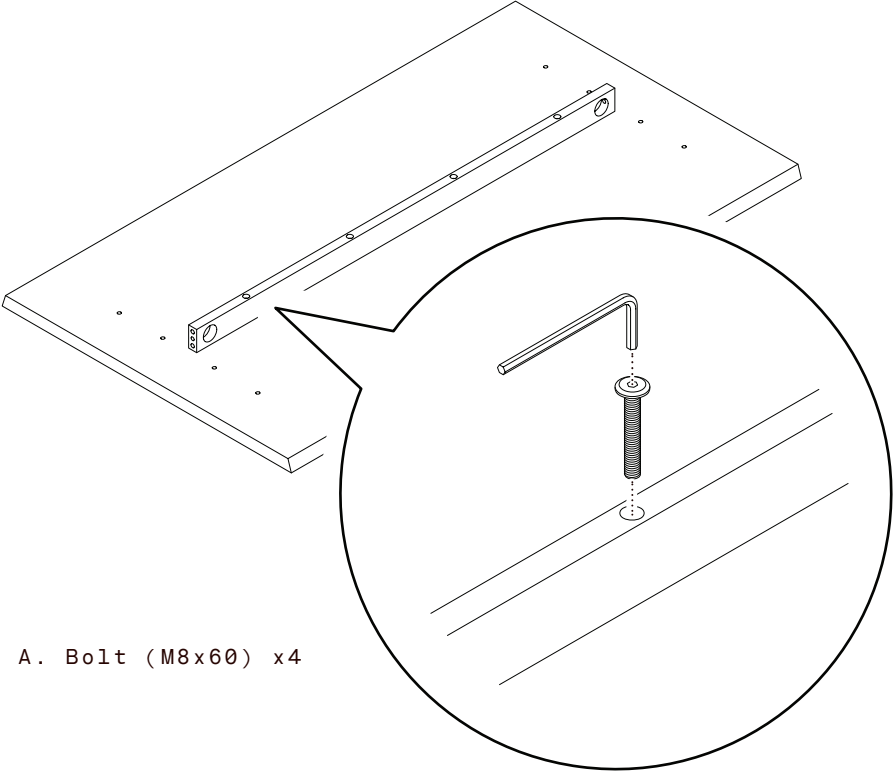
G. Table Top x1

H. Legs x2

I. Center Support x1



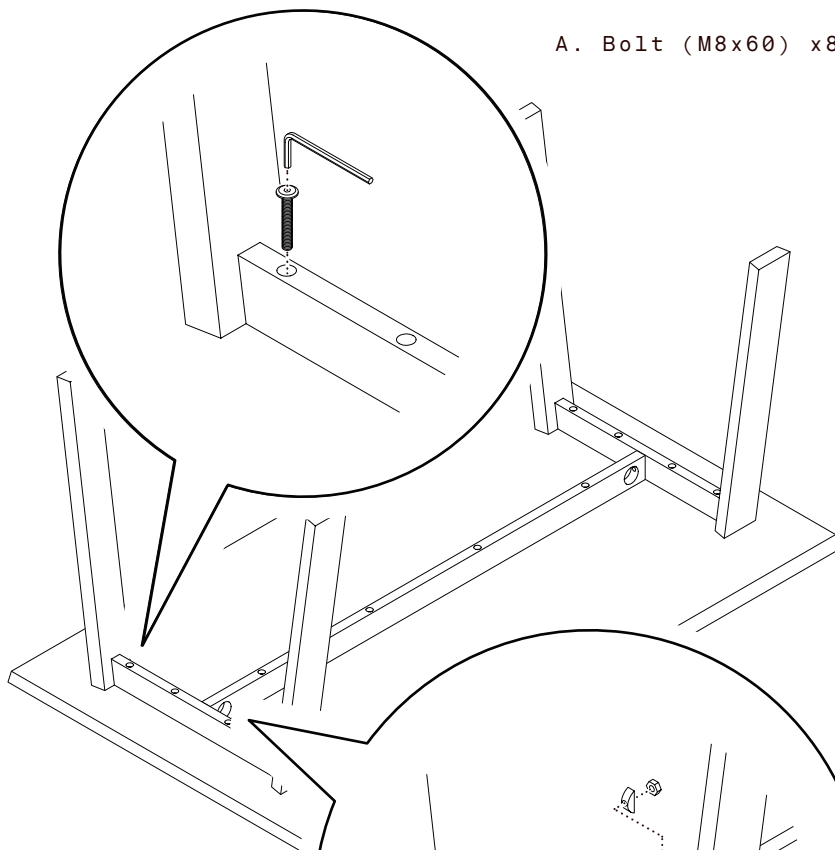
# Step 1.



A. Bolt (M8x60) x4

# Step 2.

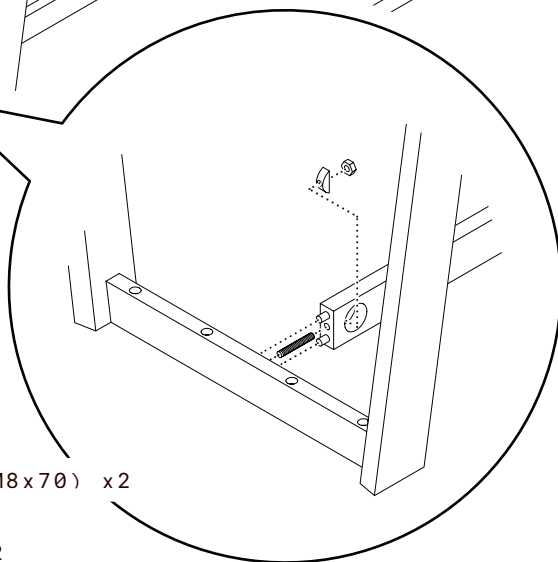
A. Bolt (M8x60) x8



B. Headless Bolt (M8x70) x2

C. Hex Nut (M8) x2

D. Half-Moon Nut x2



NEED MORE HELP?  
CONTACT US AT [SUPPORT@AKRONSTREET.COM](mailto:SUPPORT@AKRONSTREET.COM)