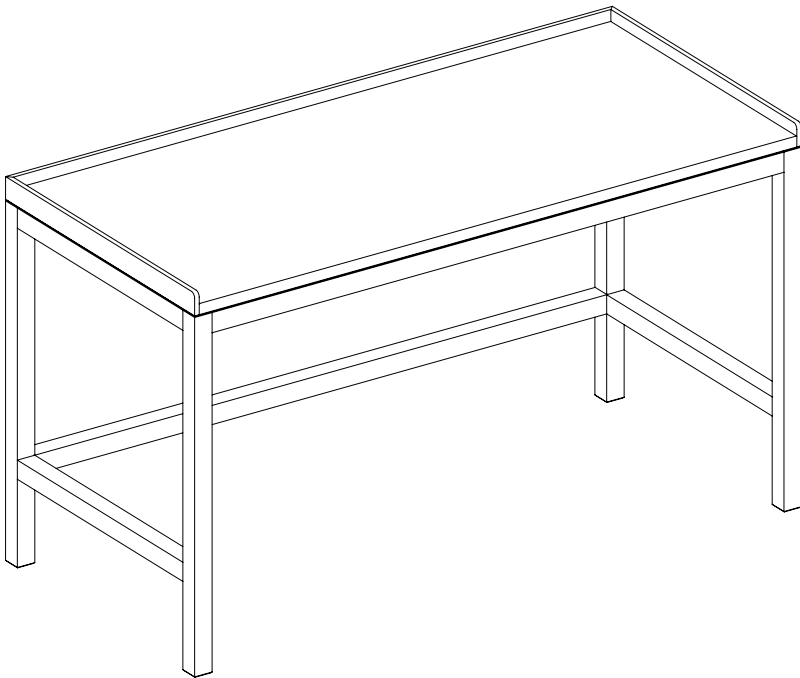


Ko Desk

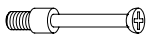


Thank You For Choosing Akron Street.

We hope you enjoy your new Akron Street furniture.
We take great care in designing our products for
quick and easy assembly.

If you need any more help, please don't hesitate to
contact us at support@akronstreet.com.

Hardware



A. Steel Dowel x2



B. Minifix Housing x2



C. M6 60mm Bolt x4



D. Washer x4

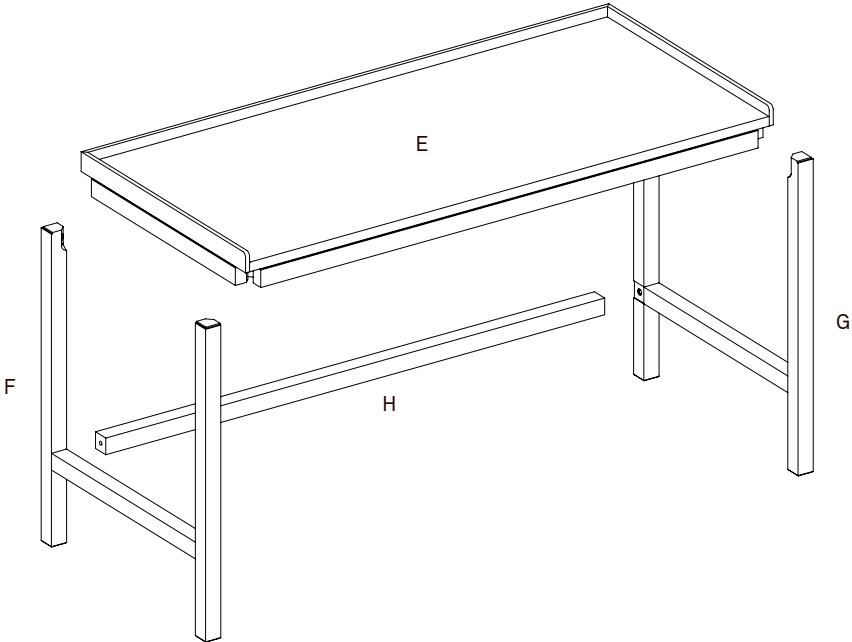
Parts

E. Table Top x1

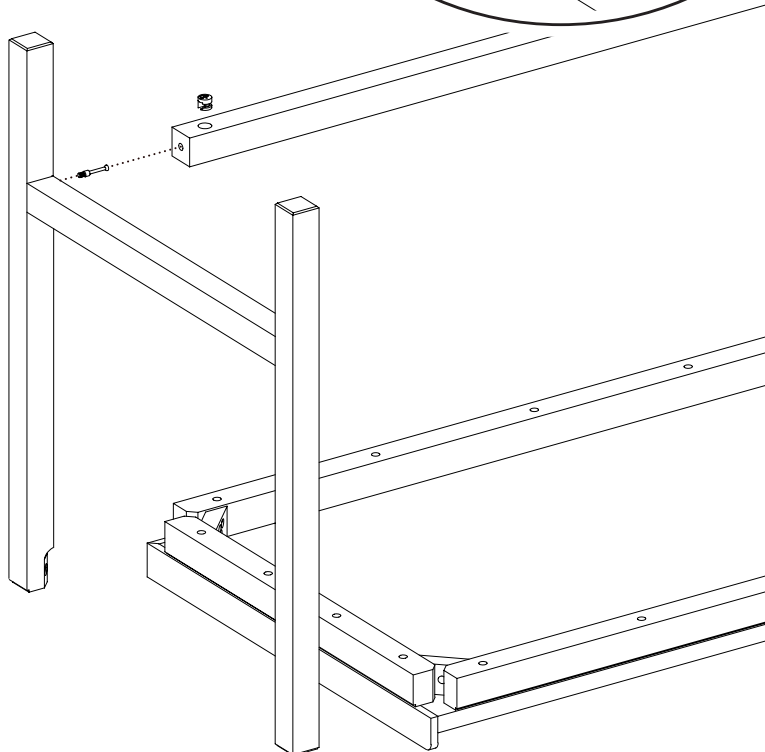
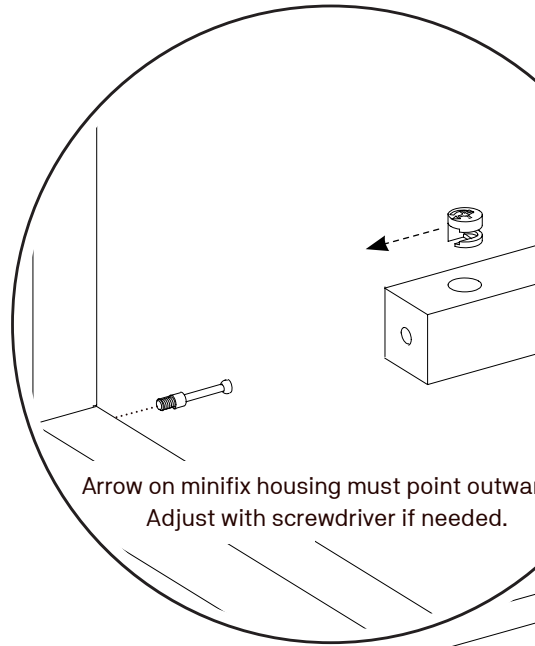
F. Left Leg x1

G. Right Leg x1

H. Leg Support x1

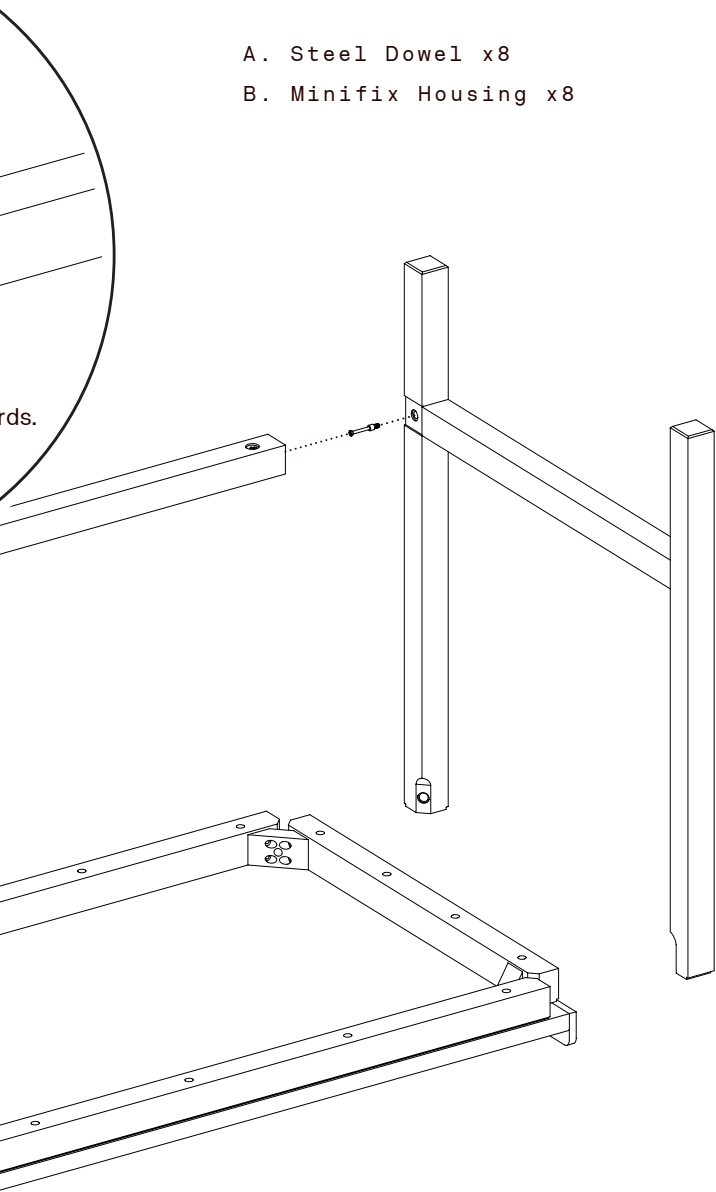


Step 1.

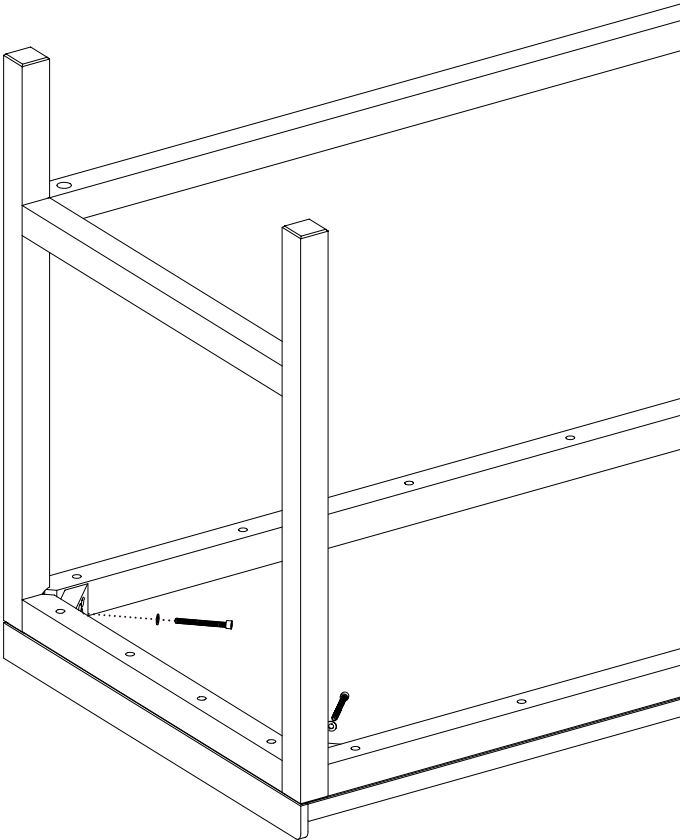


A. Steel Dowel x8

B. Minifix Housing x8

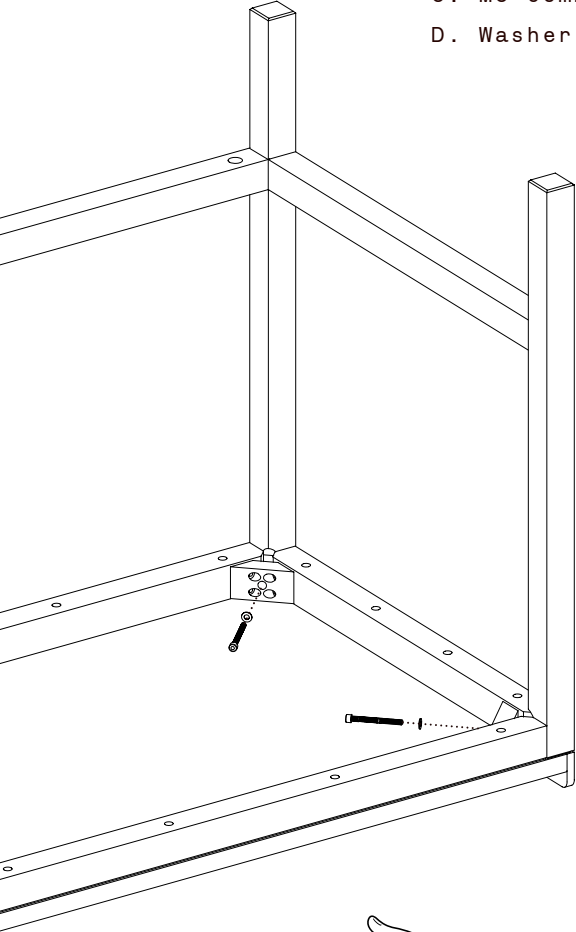


Step 2.



C. M8 60mm Bolt x4

D. Washer x4



FRONT OF DESK



NEED MORE HELP?
CONTACT US AT SUPPORT@AKRONSTREET.COM