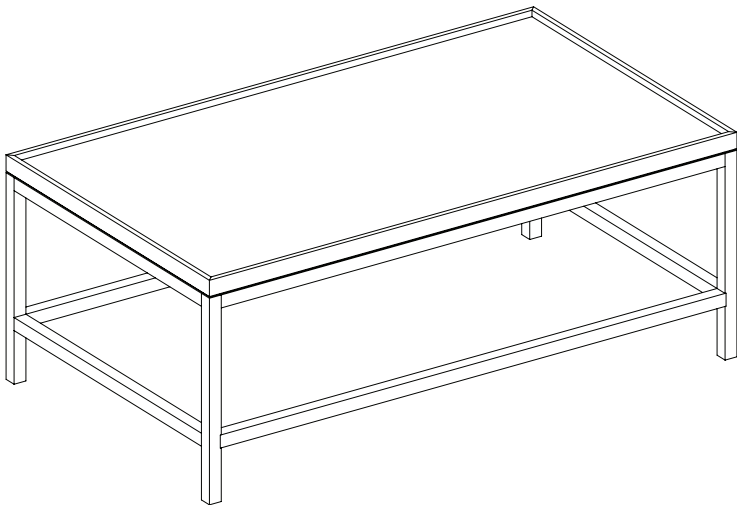


Ko Low Table

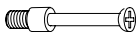


Thank You For Choosing Akron Street.

We hope you enjoy your new Akron Street furniture.
We take great care in designing our products for
quick and easy assembly.

If you need any more help, please don't hesitate to
contact us at support@akronstreet.com.

Hardware



A. Minifix Bolt x8



B. Minifix Housing x8



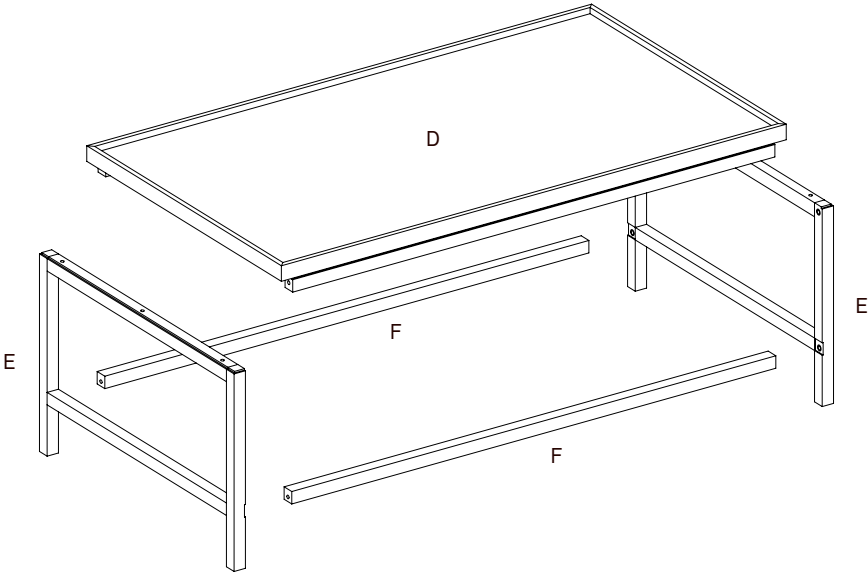
C. M6 30mm Bolt x6

Parts

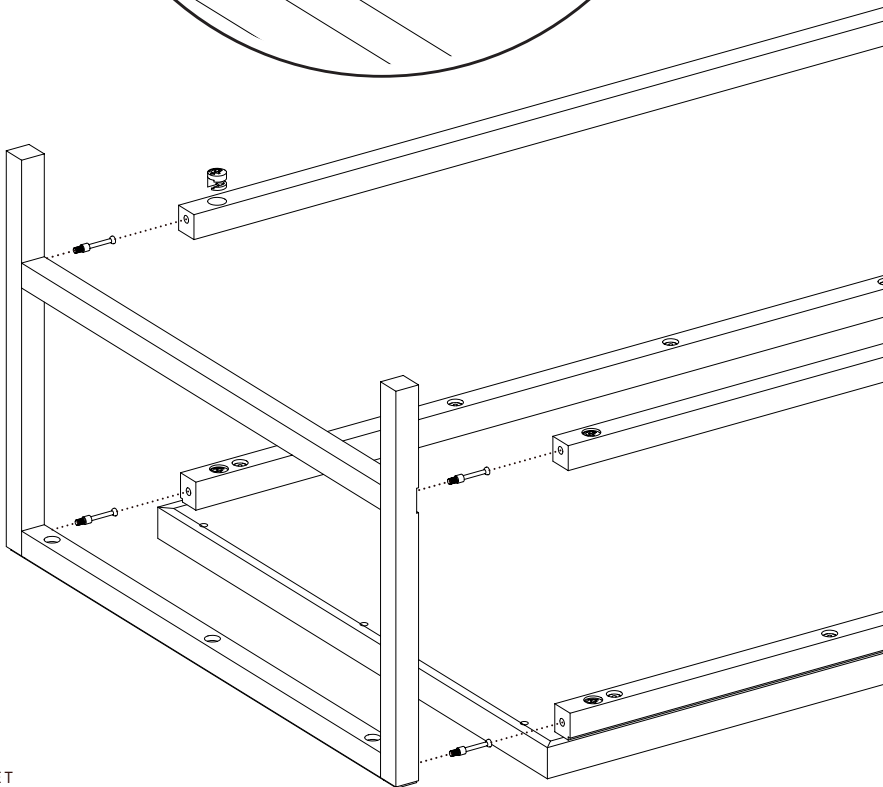
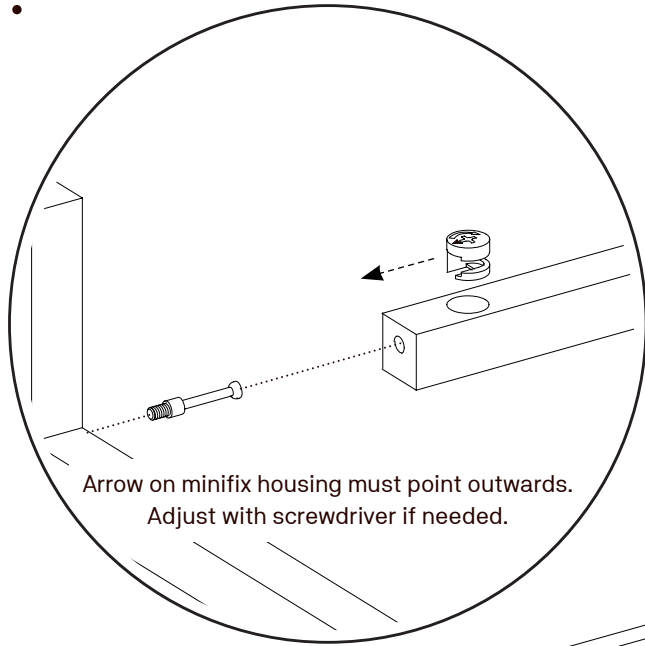
D. Table Top x1

E. Leg Assembly x2

F. Leg Support x2

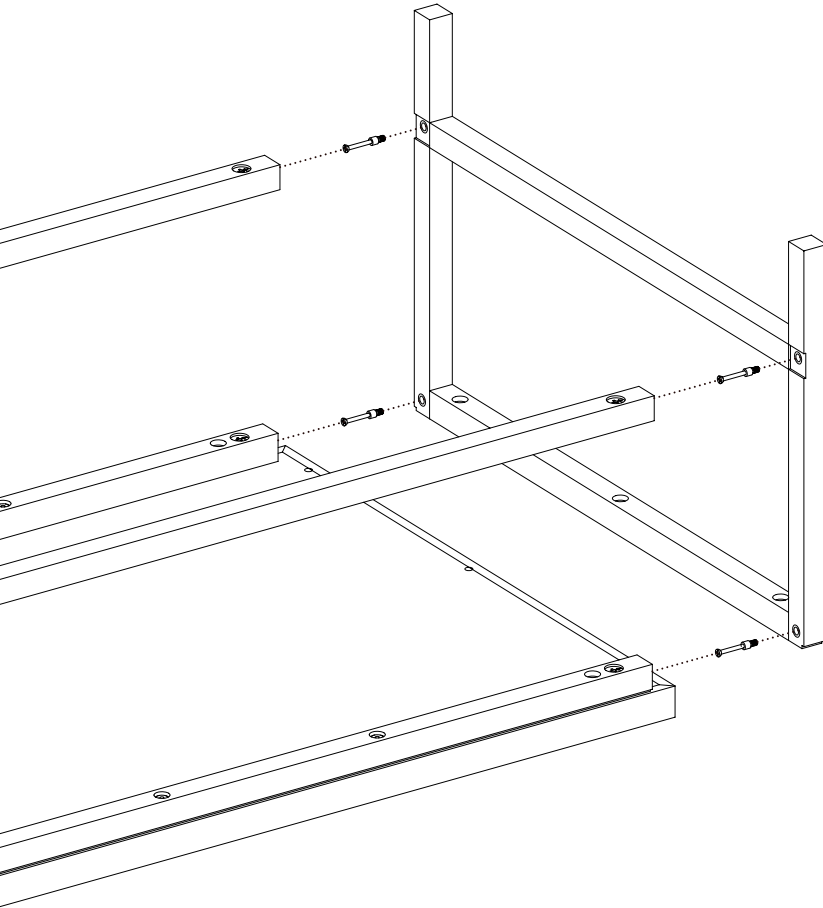


Step 1.

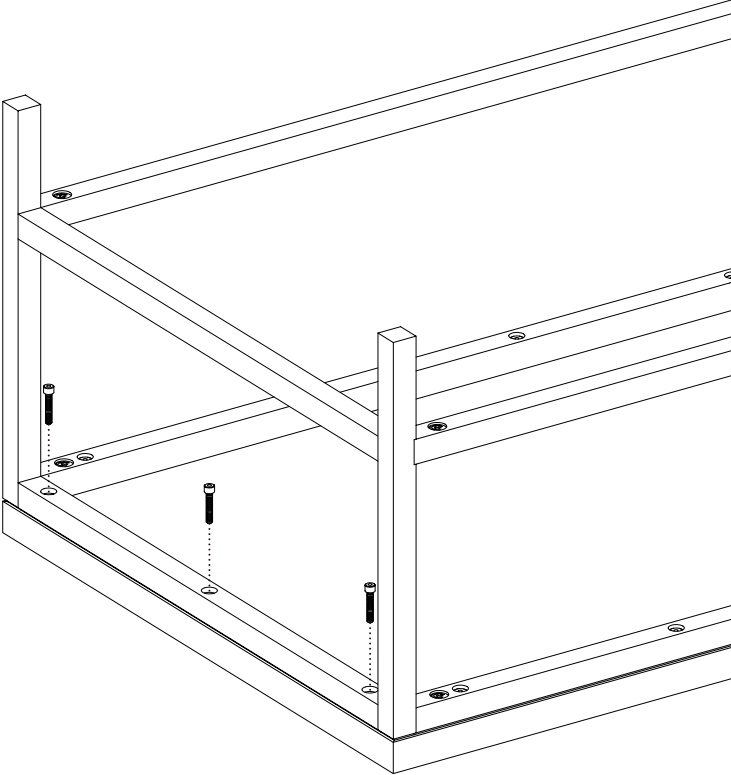


A. Minifix Bolt x8

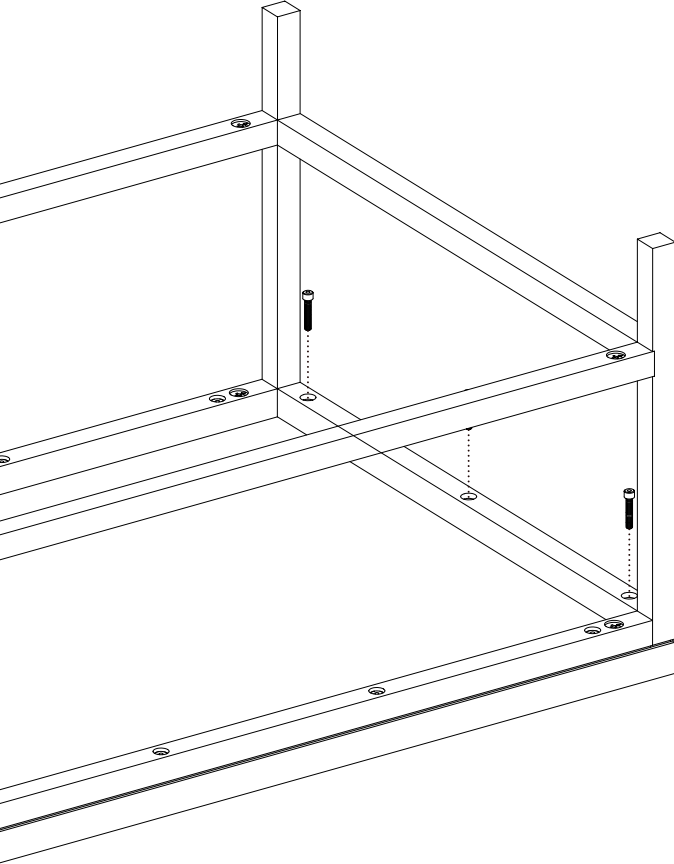
B. Minifix Housing x8 (pre-installed)



Step 2.



C. M6 30mm Bolt x6



KO LOW TABLE

NEED MORE HELP?
CONTACT US AT SUPPORT@AKRONSTREET.COM