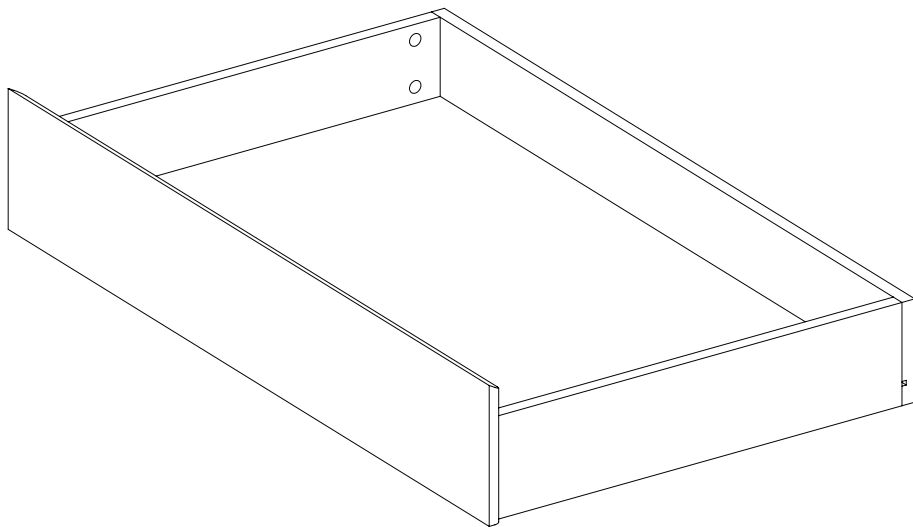


Dris Bed Drawer



HOME STARTS HERE.

Thank You For Choosing Akron Street.

We hope you enjoy your new Akron Street furniture.
We take great care in designing our products for
quick and easy assembly.

If you need any more help, please don't hesitate to
contact us at support@akronstreet.com.

Hardware (per drawer)



A. Steel Dowel x10



B. Steel Housing x10



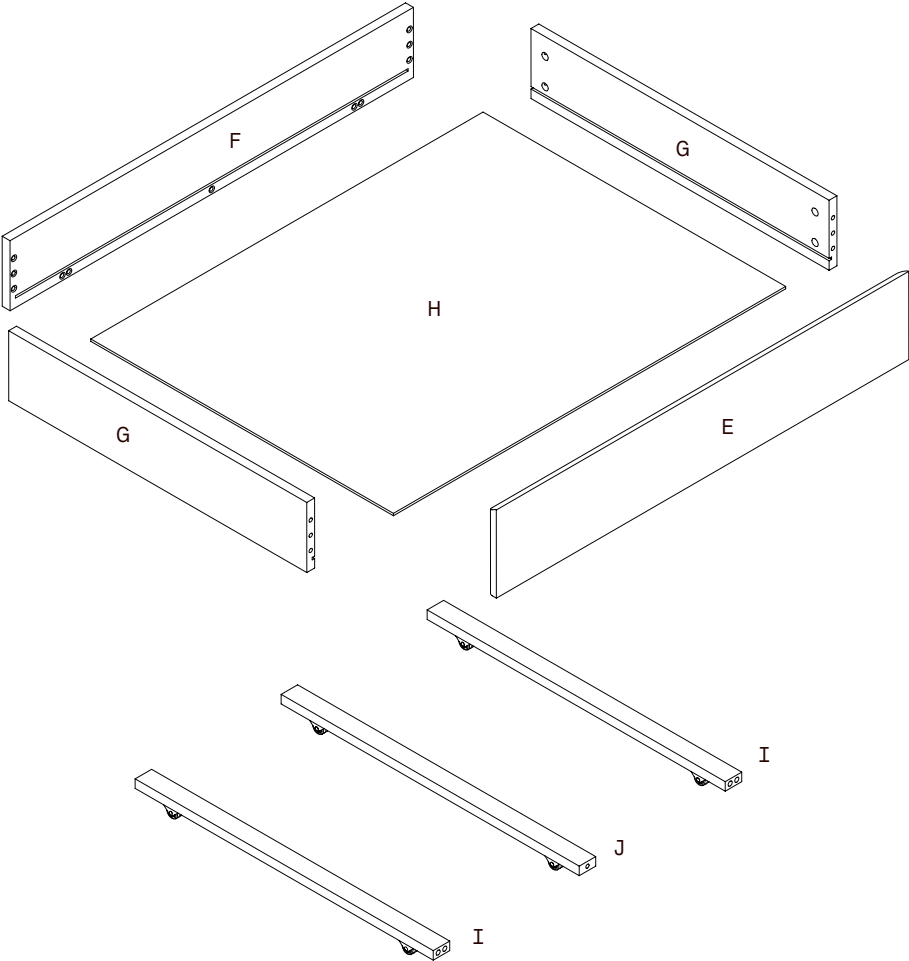
C. Grub Screw x10



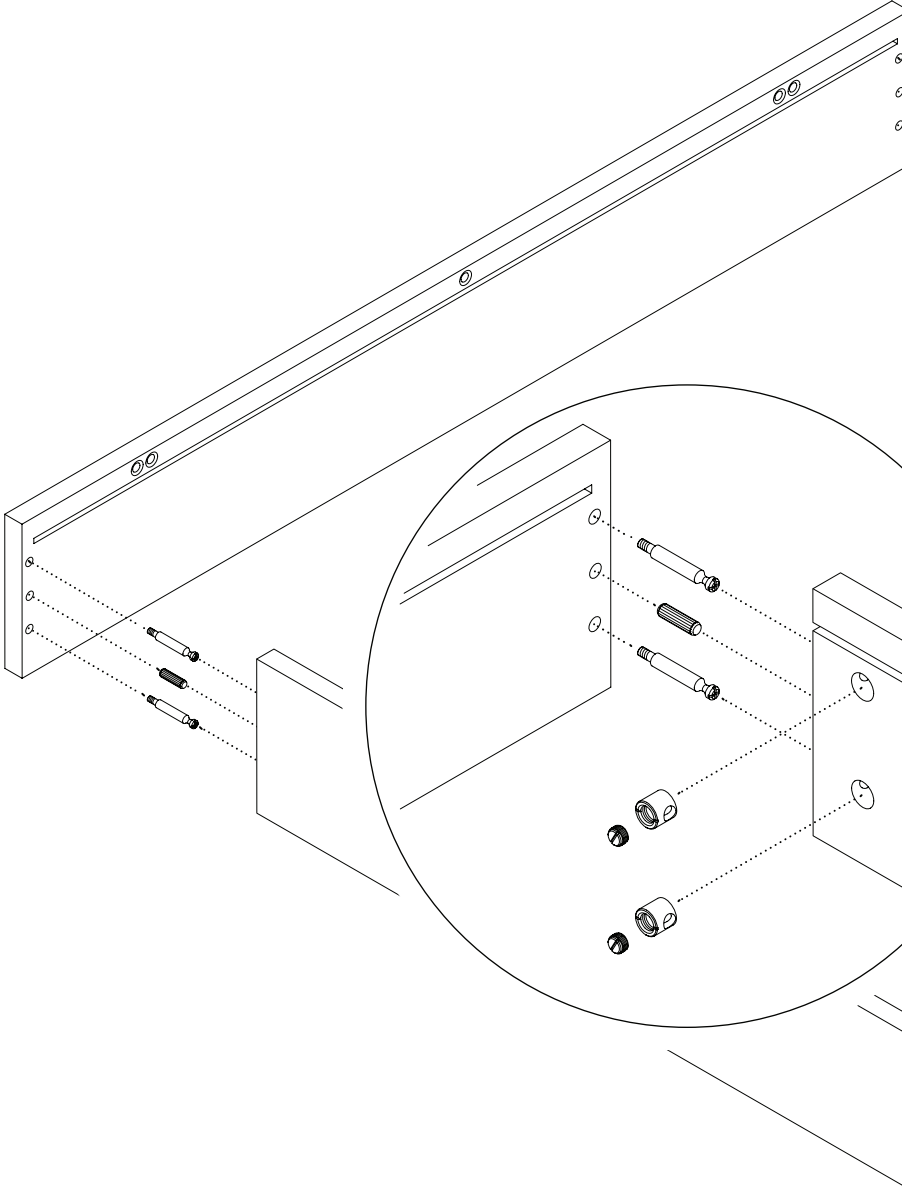
D. Wooden Dowel x12

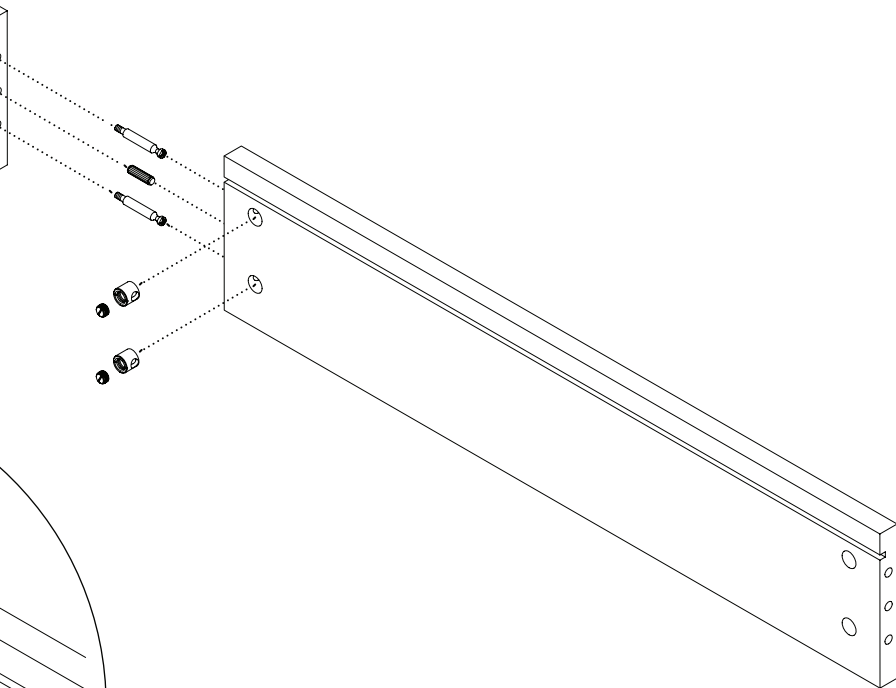
Parts (per drawer)

- E. Drawer Front x1
- F. Drawer Back x1
- G. Drawer Side x2
- H. Drawer Bottom x1
- I. Casters (Side) x2
- J. Casters (Center) x1



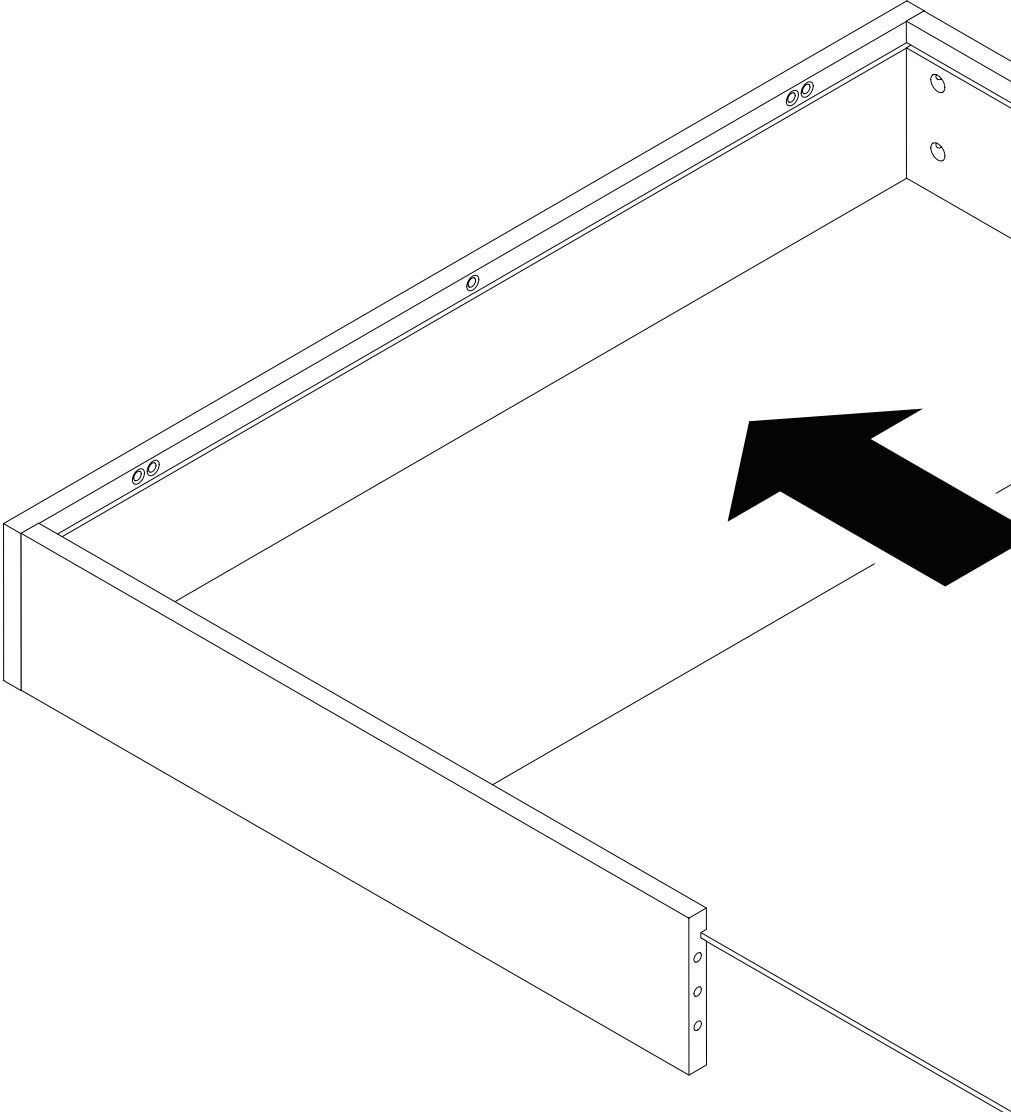
Step 1.



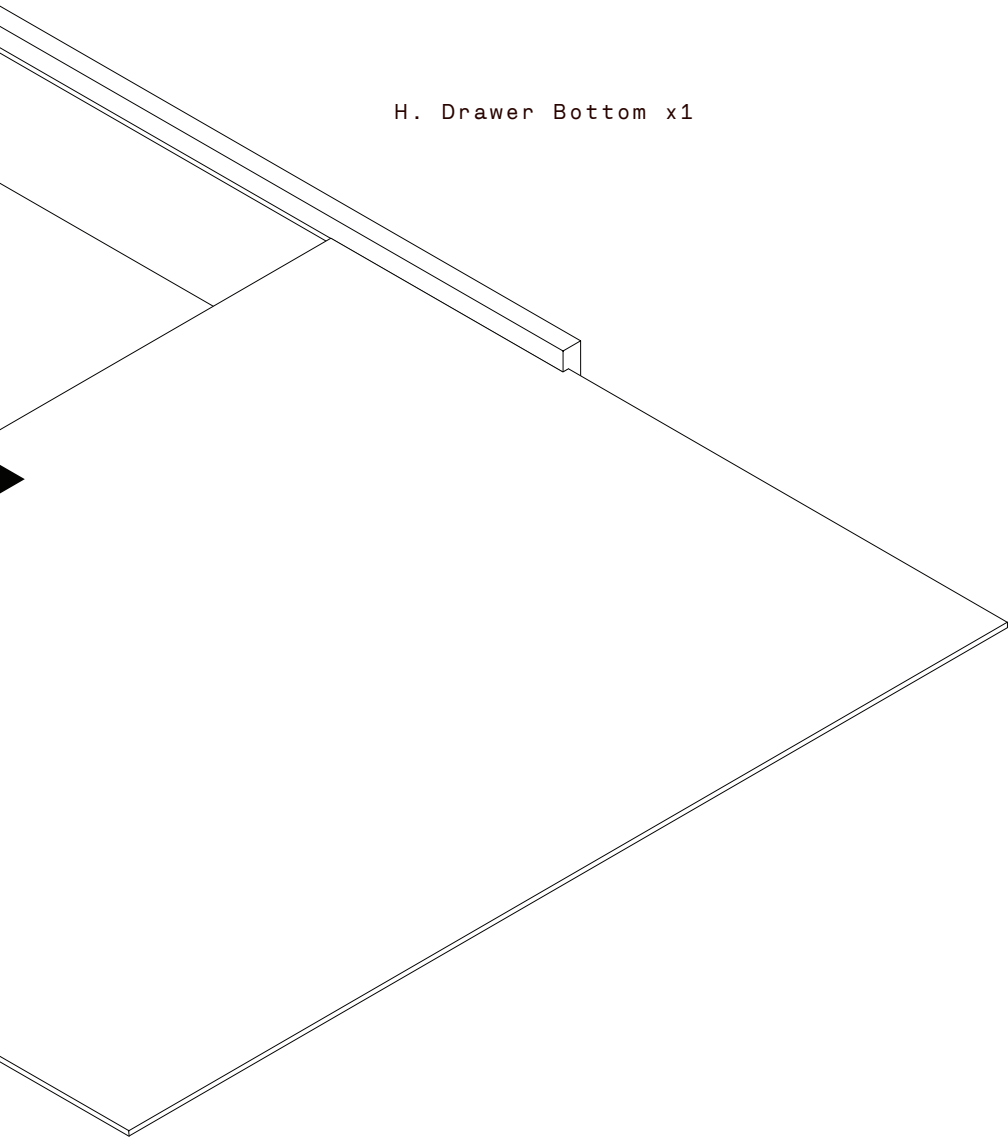


- A. Steel Dowel x4
- B. Steel Housing x4
- C. Grub Screw x4
- D. Wooden Dowel x2
- F. Drawer Back x1
- G. Drawer Side x2

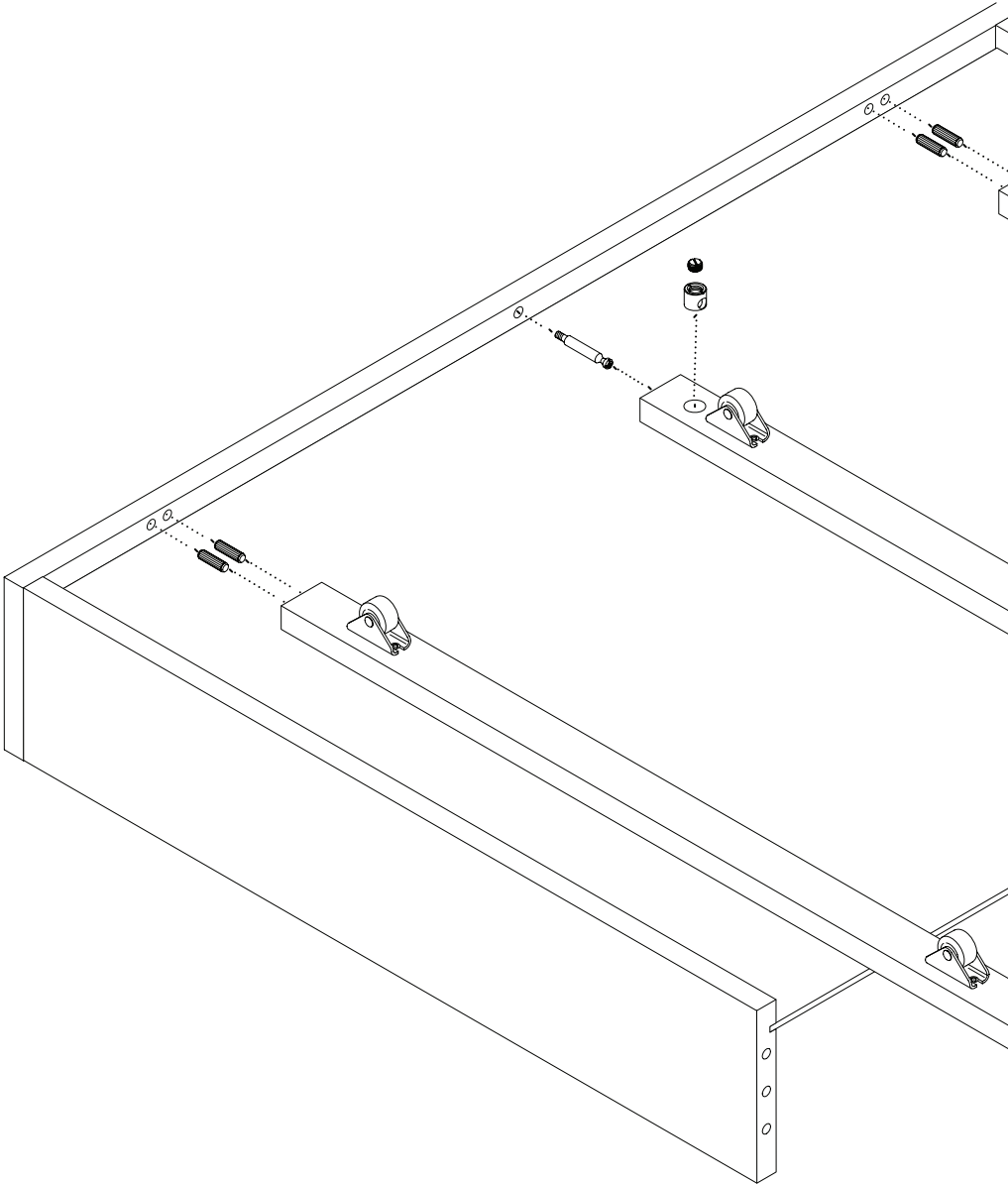
Step 2.

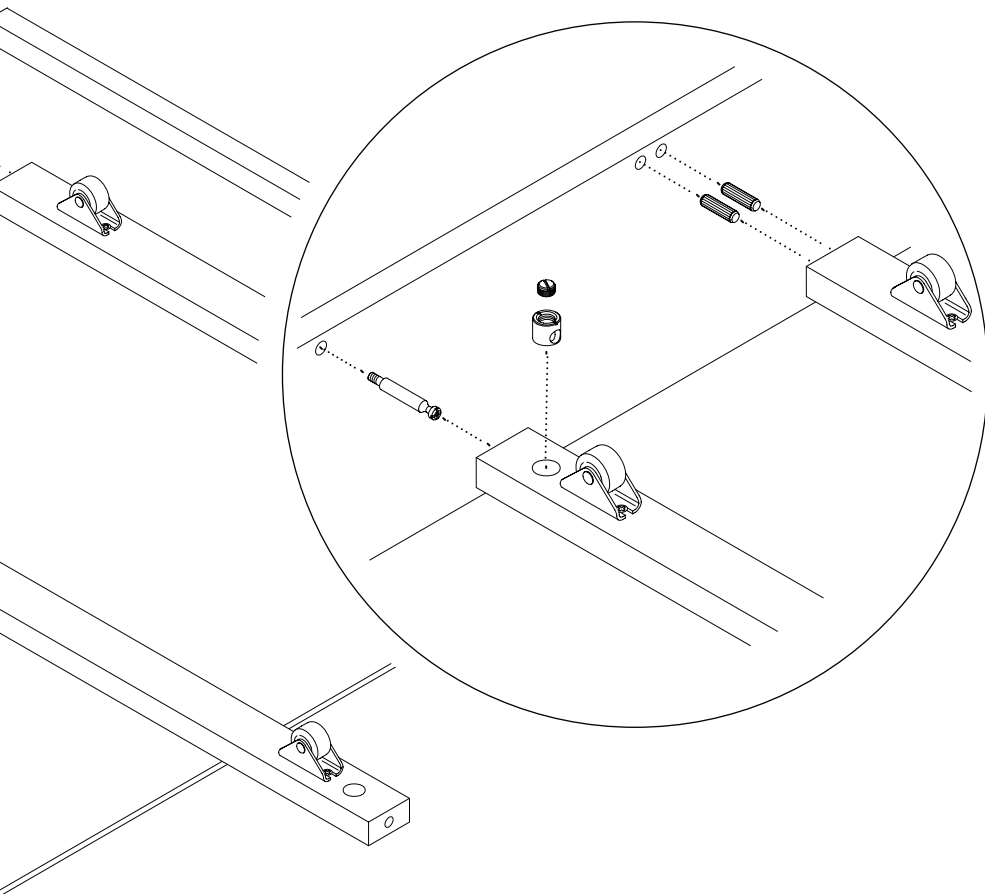


H. Drawer Bottom x1



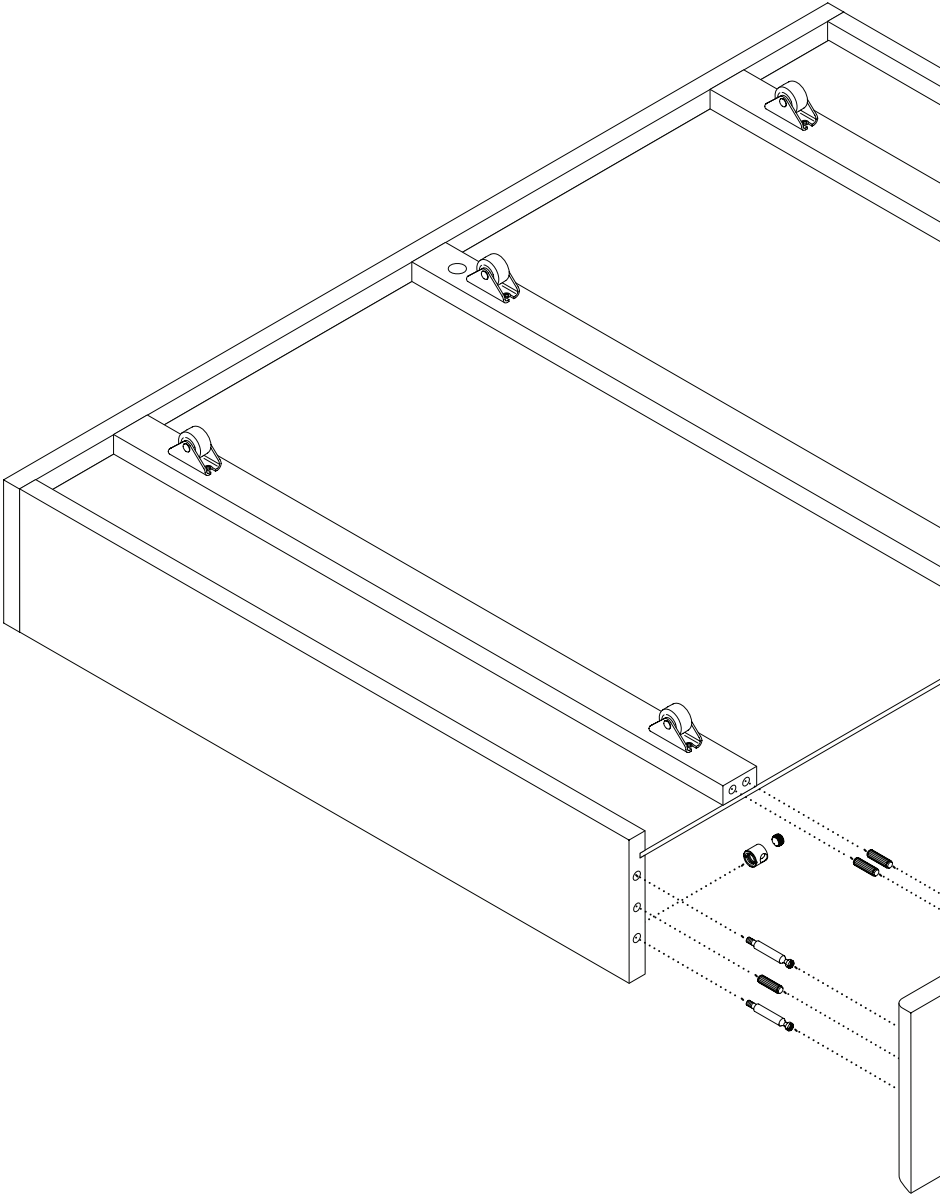
Step 3.



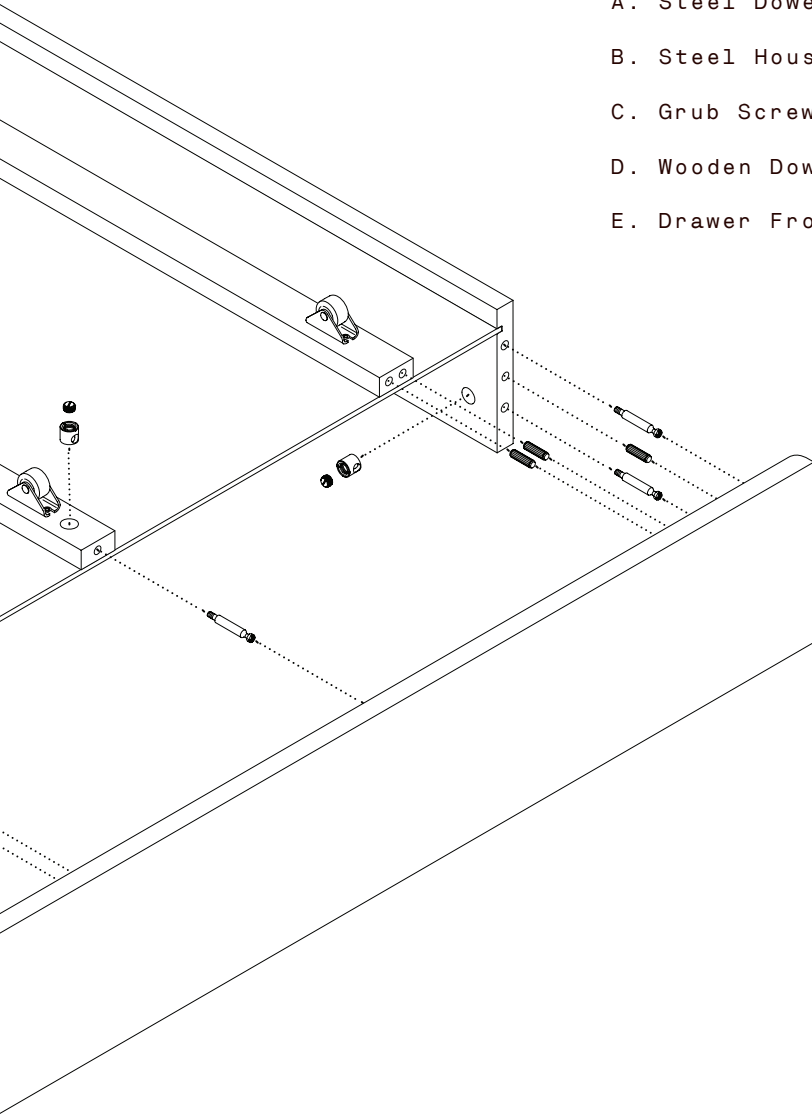


- A. Steel Dowel x1
- B. Steel Housing x1
- C. Grub Screw x1
- D. Wooden Dowel x1
- I. Casters (Side) x2
- J. Casters (Center) x1

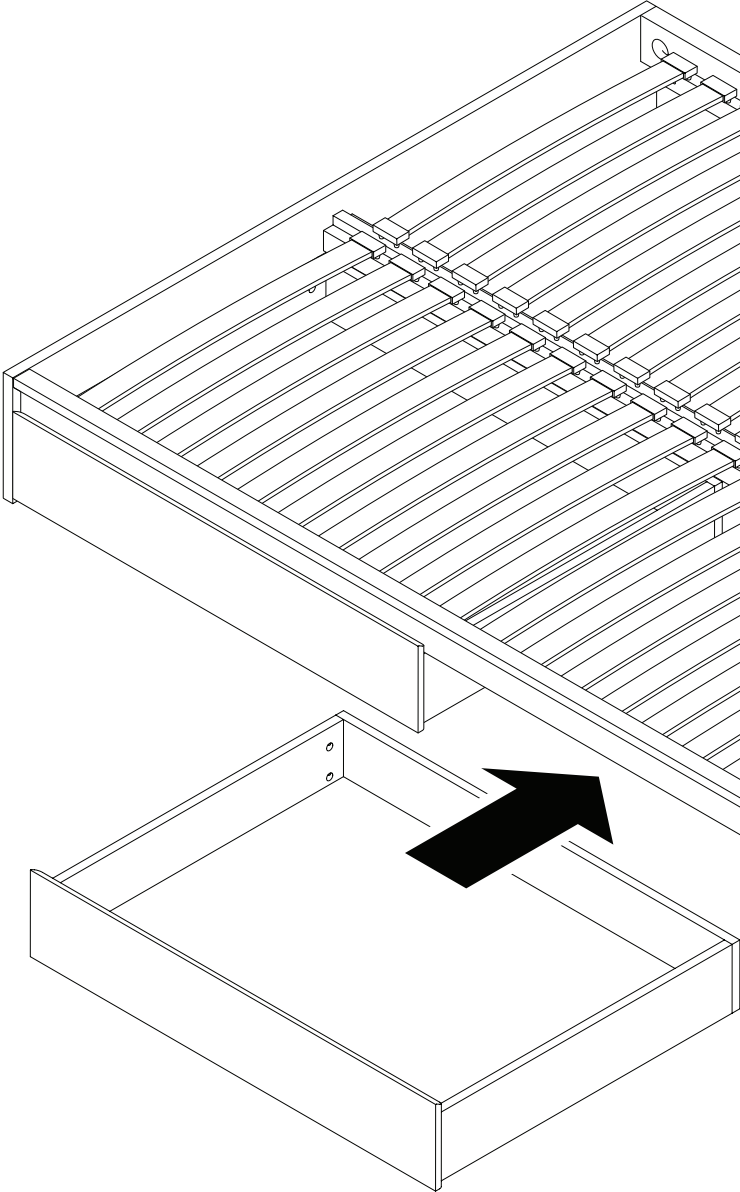
Step 4.

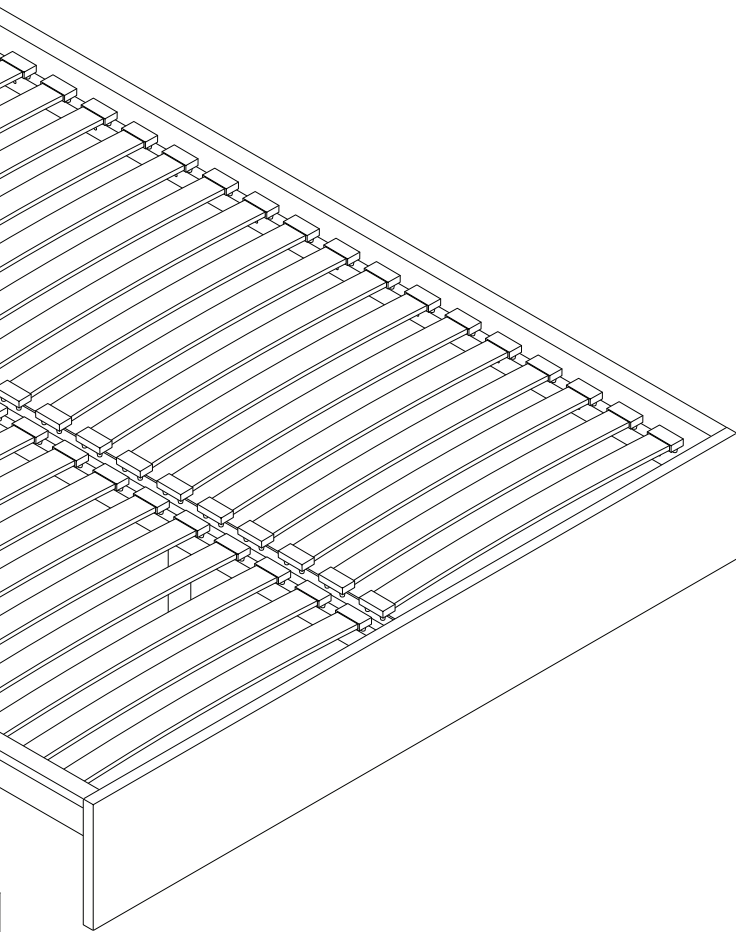


- A. Steel Dowel x5
- B. Steel Housing x5
- C. Grub Screw x5
- D. Wooden Dowel x6
- E. Drawer Front x1



Step 5.





DRIS BED DRAWER

NEED MORE HELP?
CONTACT US AT SUPPORT@AKRONSTREET.COM