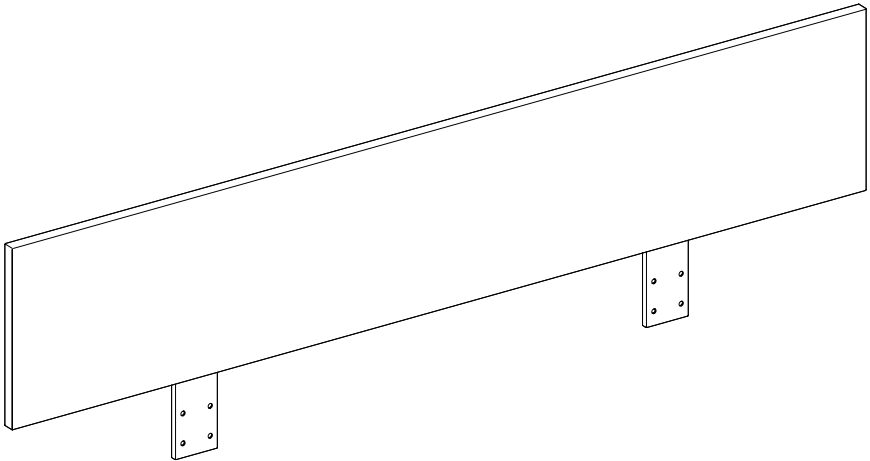


Frame-mounted Headboard



HOME STARTS HERE.

Thank You For Choosing Akron Street.

We hope you enjoy your new Akron Street furniture.
We take great care in designing our products for
quick and easy assembly.

If you need any more help, please don't hesitate to
contact us at support@akronstreet.com.

Hardware



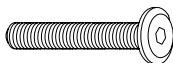
A. Hex Key



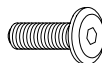
B. Hex Nut (M6) x8



C. Washer x8



D. M8 40mm Bolt x8



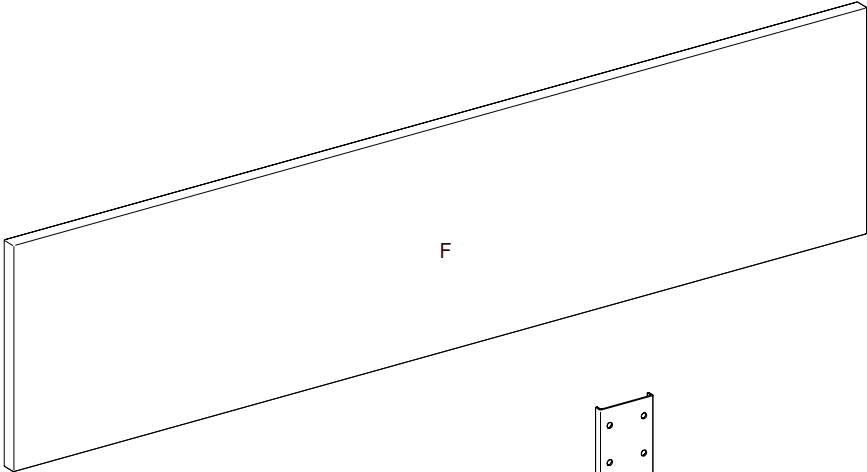
E. M8 20mm Bolt x8

AKRON STREET

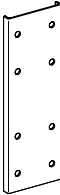
Parts

F. Headboard

G. Mounting bracket x2

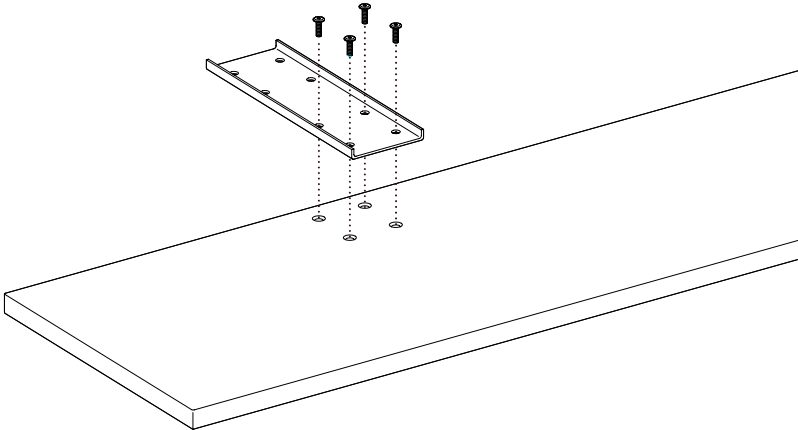


G



G

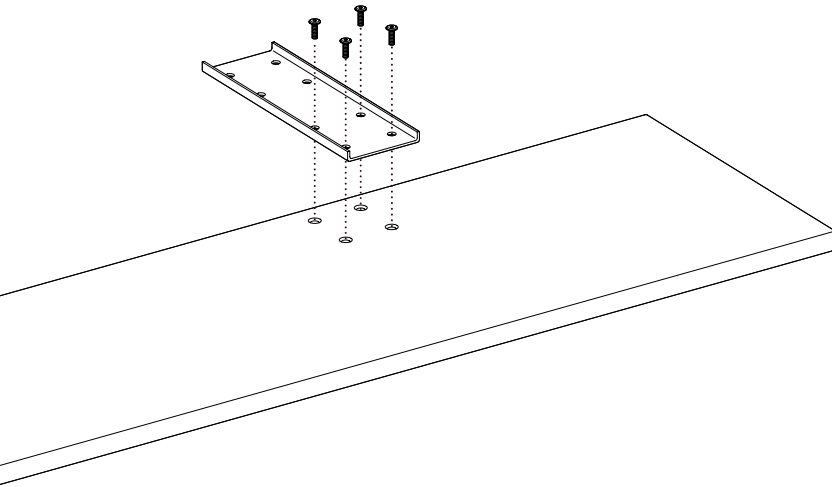
Step 1.



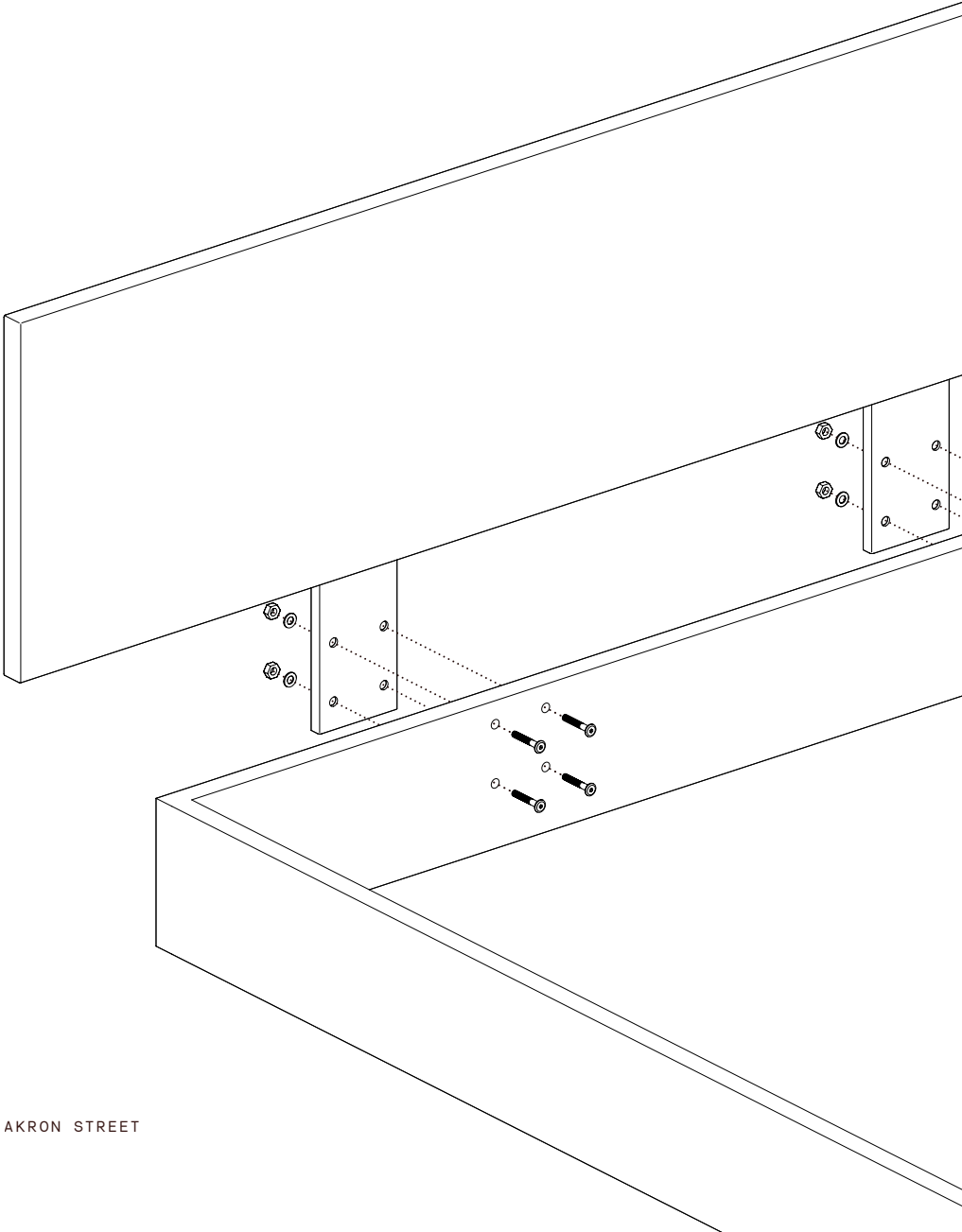
E. M8 20mm Bolt x8

F. Headboard

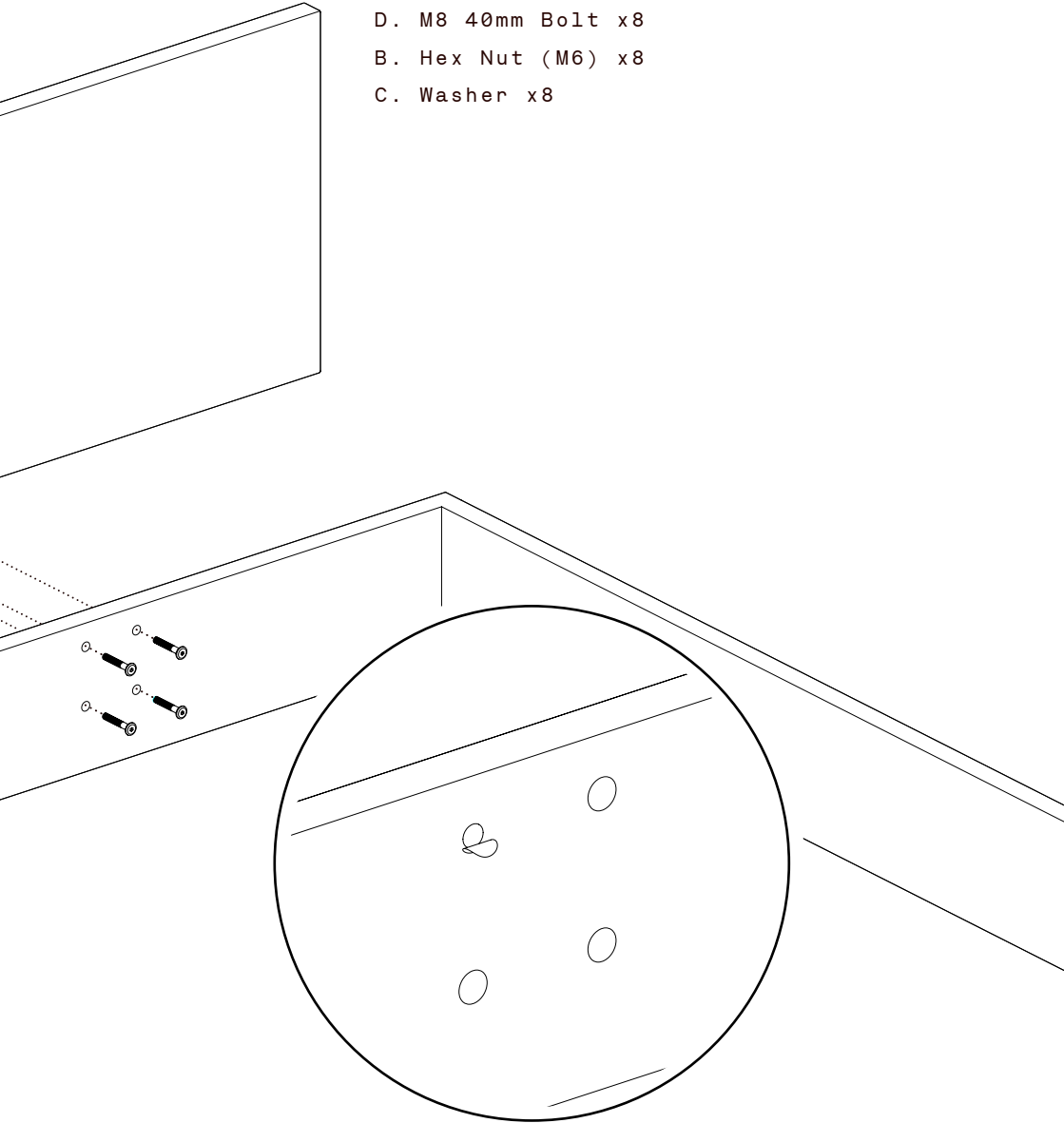
G. Mounting Bracket x2



Step 2.



- D. M8 40mm Bolt x8
- B. Hex Nut (M6) x8
- C. Washer x8



Remove bolt hole covers from the bed frame.

NEED MORE HELP?
CONTACT US AT SUPPORT@AKRONSTREET.COM