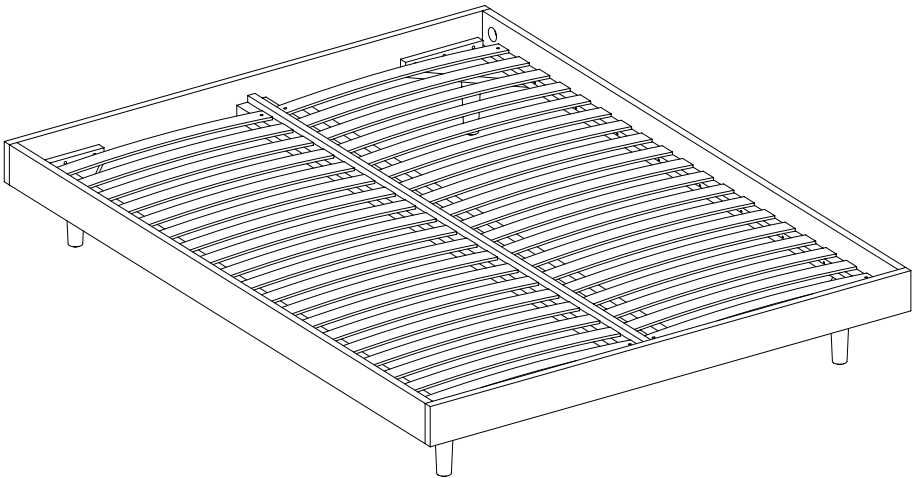


Mysa Bed



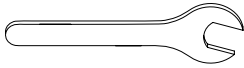
HOME STARTS HERE.

Thank You For Choosing Akron Street.

We hope you enjoy your new Akron Street furniture.
We take great care in designing our products for
quick and easy assembly.

If you need any more help, please don't hesitate to
contact us at support@akronstreet.com.

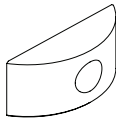
Hardware



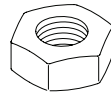
A. Wrench



B. Hex Key



C. Half-Moon Nut x4



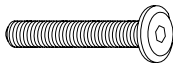
D. Hex Nut (m8) x4



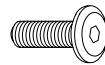
E. Headless Bolt x4



F. Wooden Dowel x8



G. M6 40mm Bolt x16



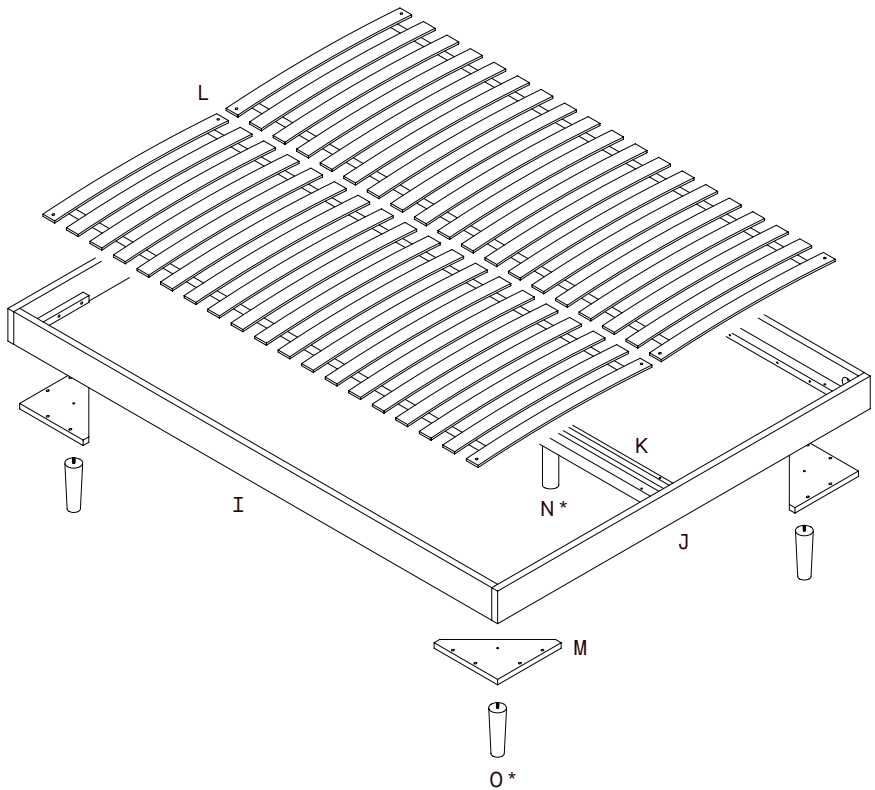
H. M6 20mm Bolt x8

Parts

I. Sideboard x2 J. Endboard x2 K. Center Support x1

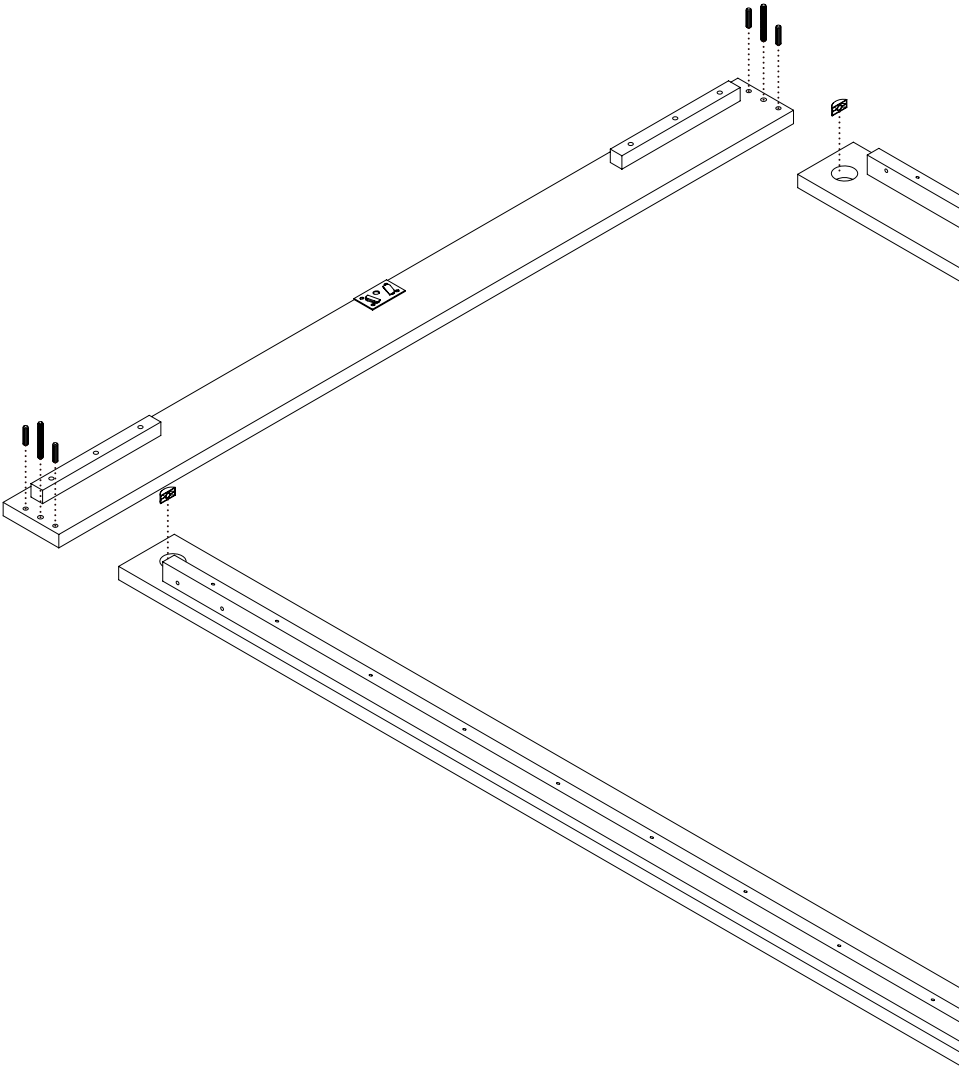
L. Ribbon Slats x2 M. Corner Brace x4

N. Straight Leg* x4 O. Tapered Leg* x4

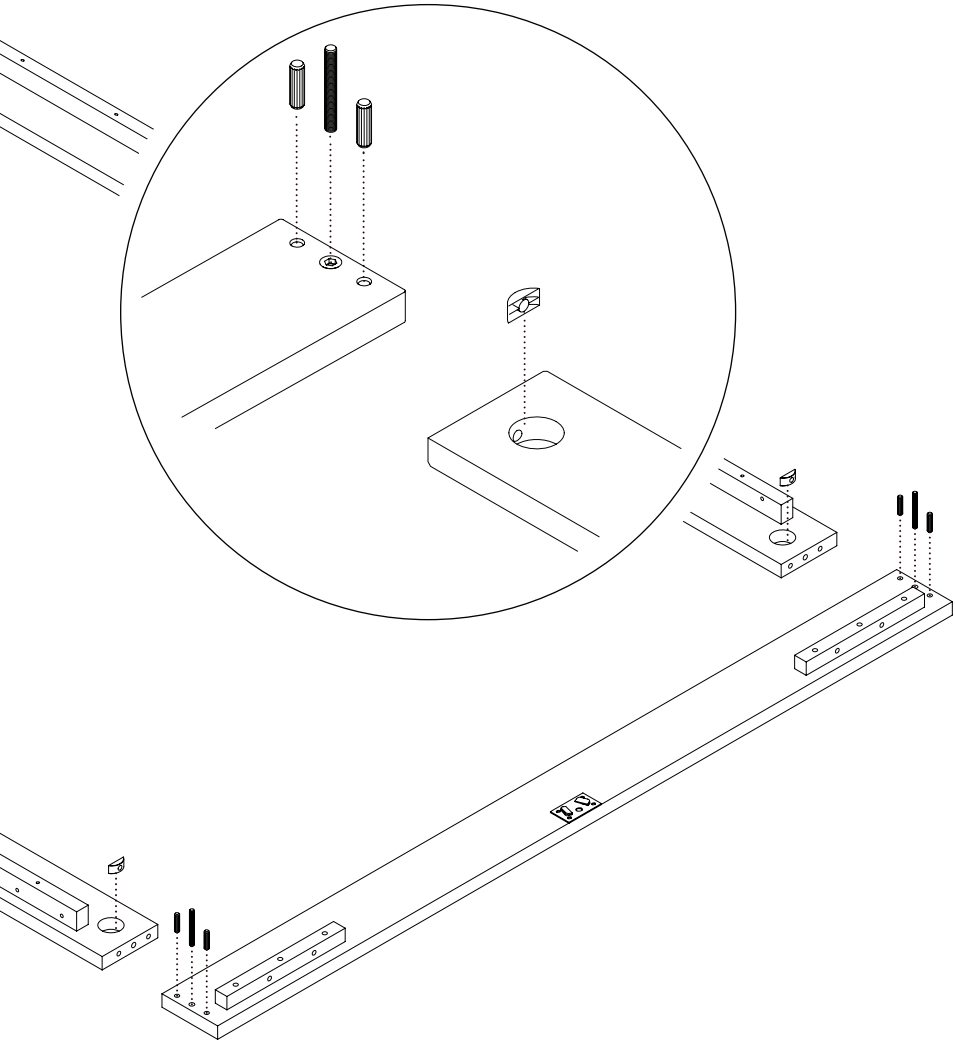


*The Maysa Bed includes two interchangeable leg styles.

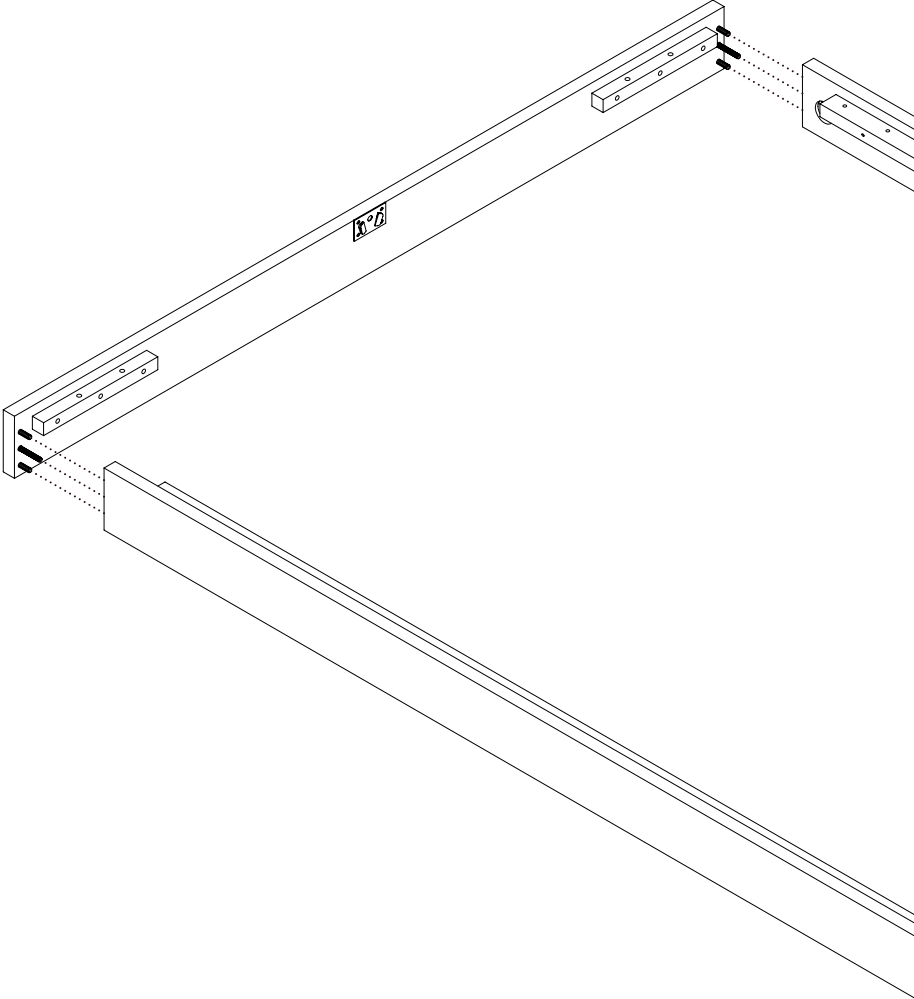
Step 1.



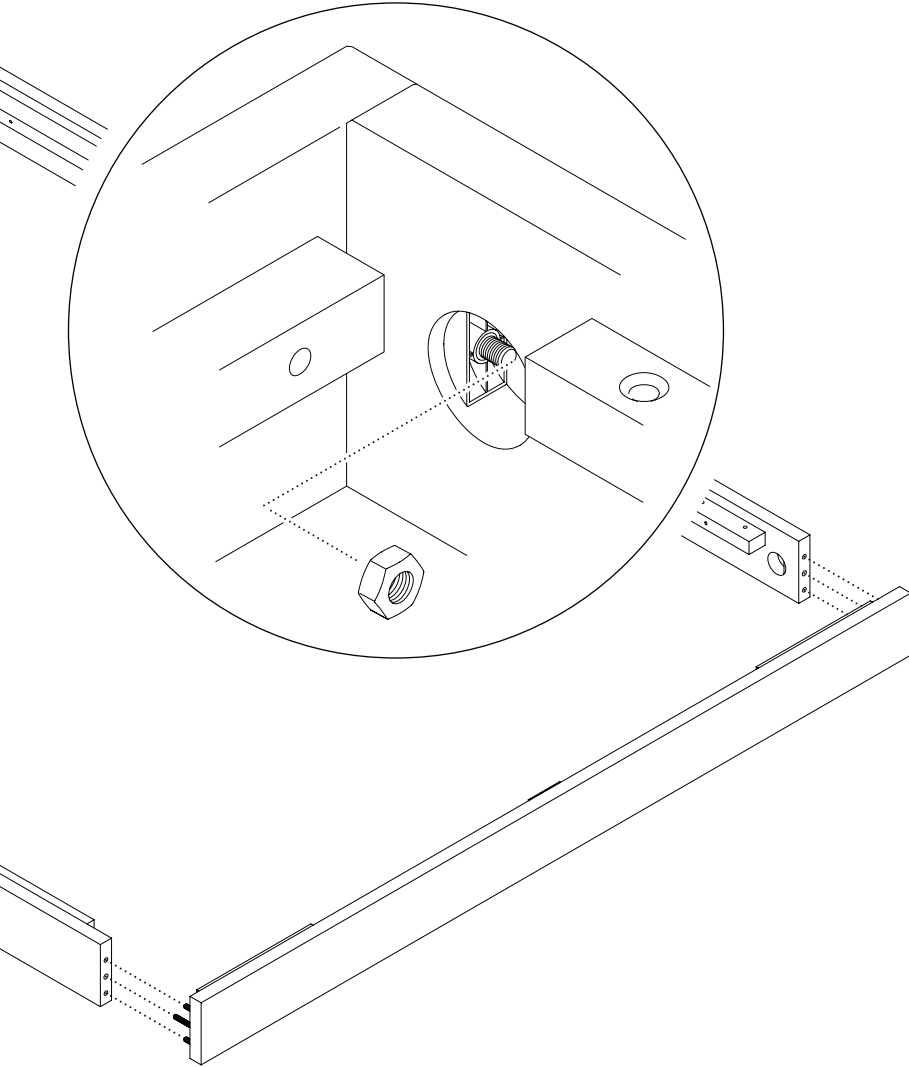
- C. Half-Moon Nut x4
- E. Headless Bolt x4
- F. Wooden Dowel x8



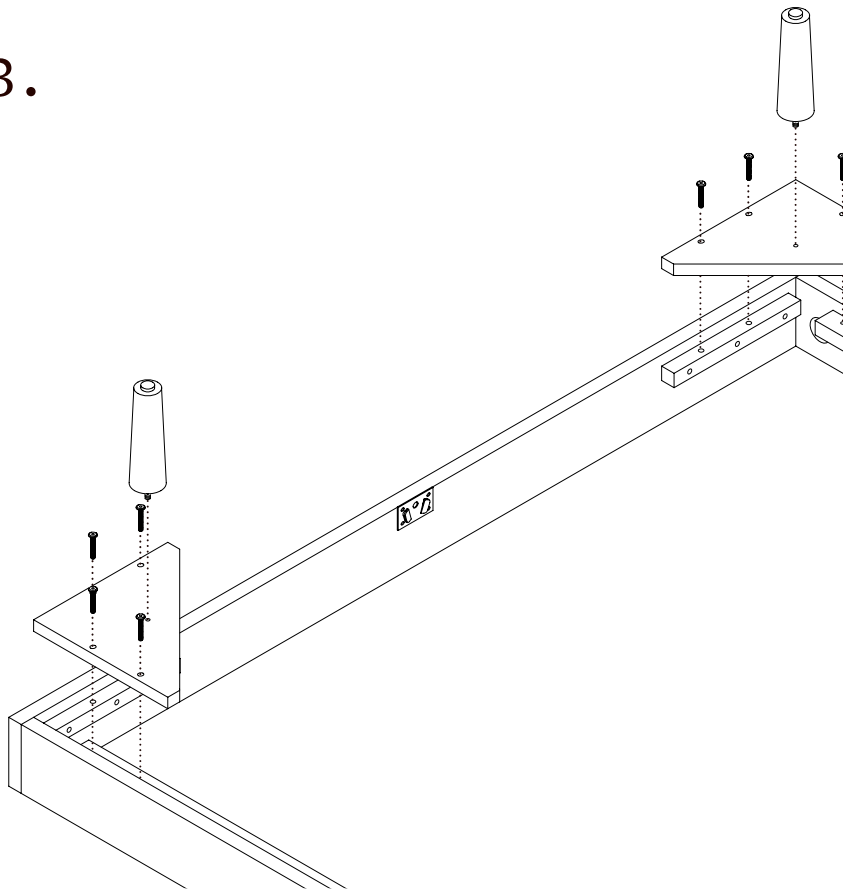
Step 2.



D. Hex Nut x4



Step 3.



The Mysa Bed includes two interchangeable leg styles.
Select your preferred style and mount it to the corner brace.



Straight

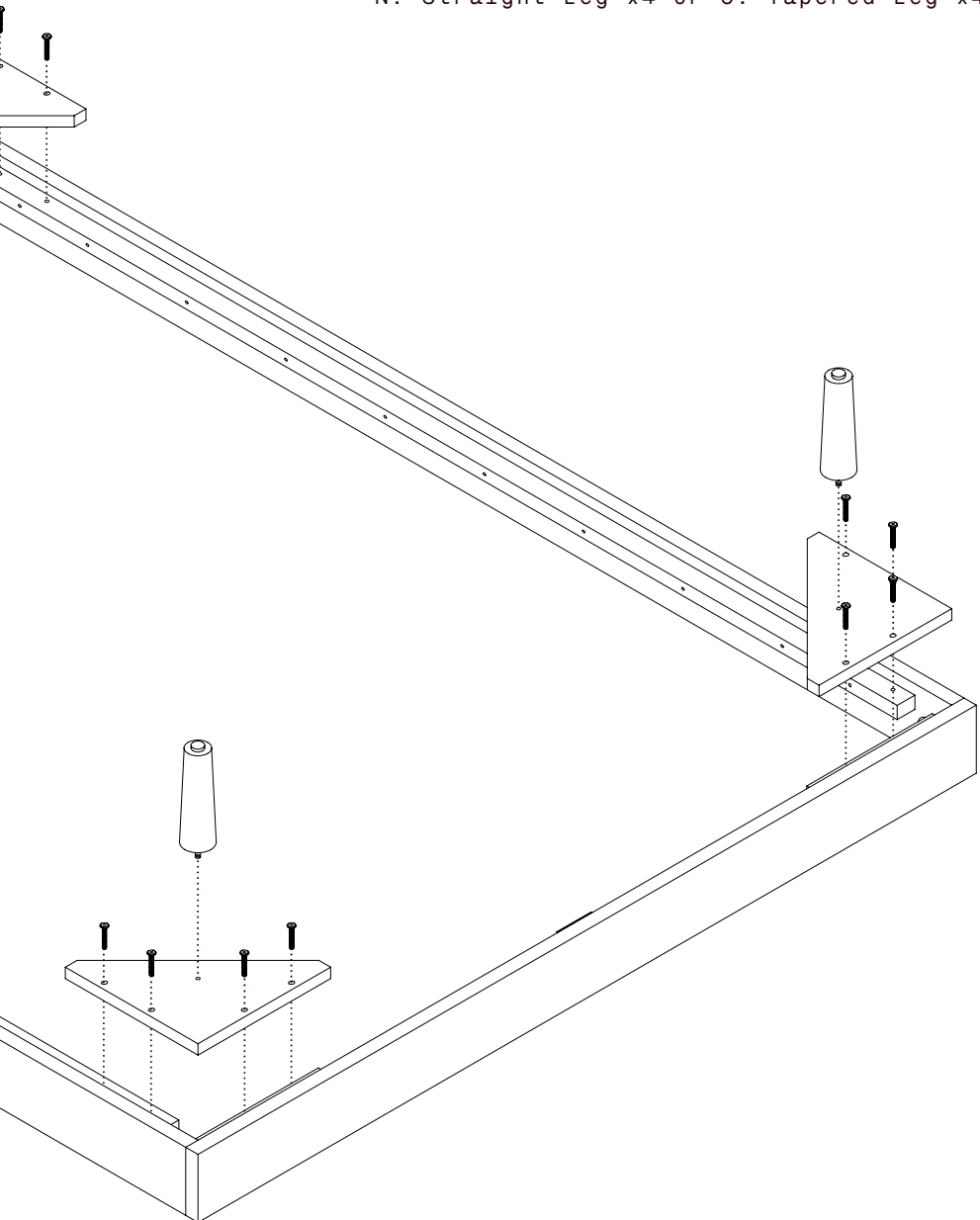


Tapered

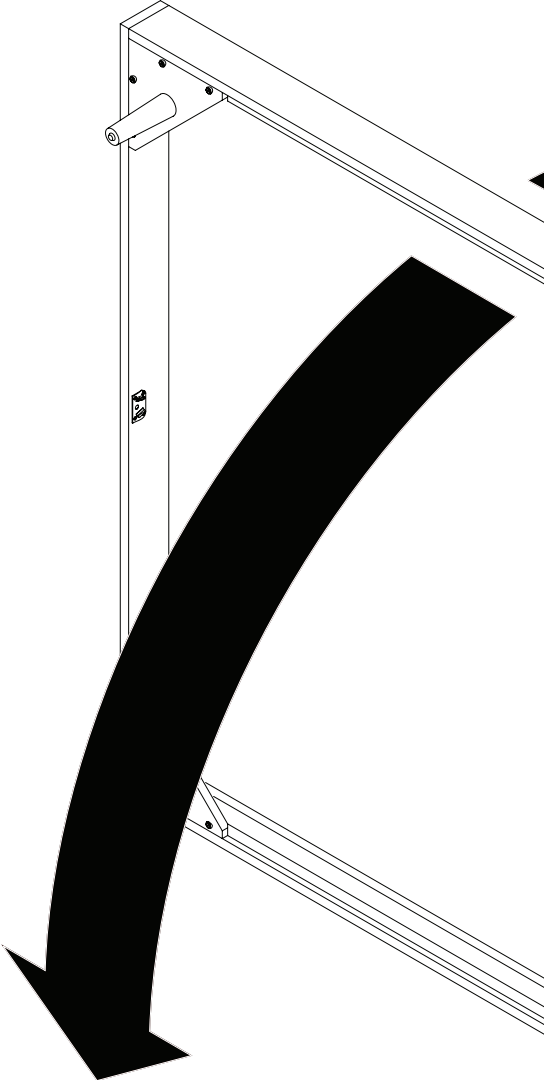
G. M6 40mm Bolt x16

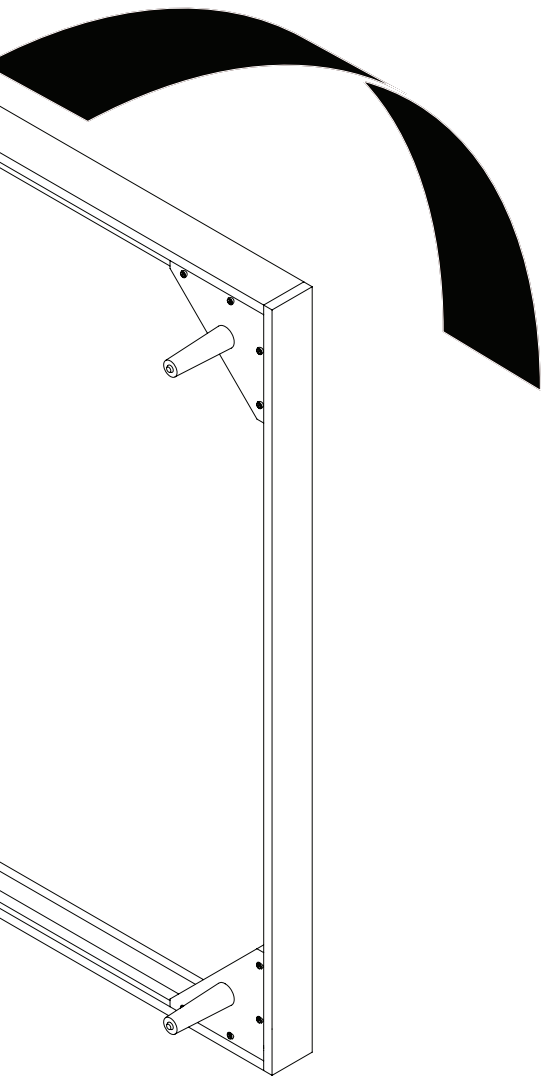
M. Corner Brace x4

N. Straight Leg x4 or O. Tapered Leg x4



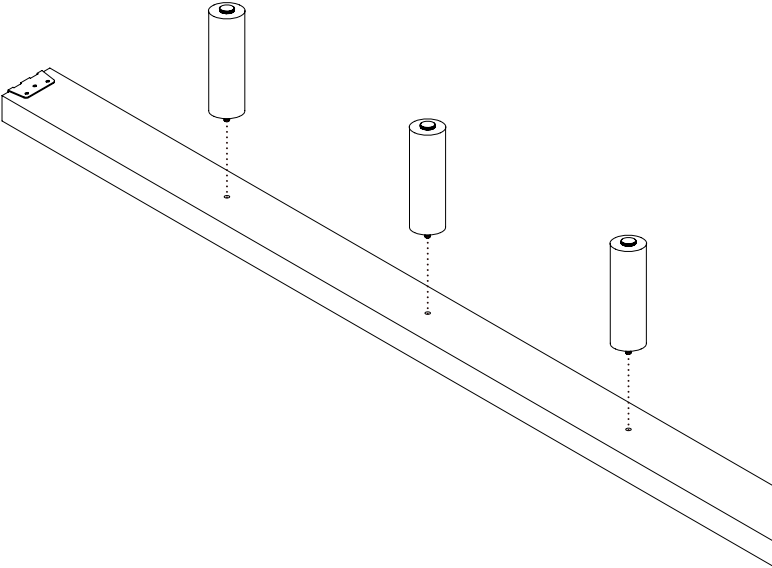
Step 4.





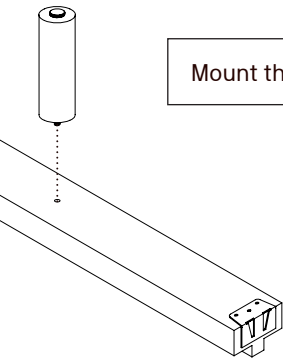
MYSA BED

Step 5.



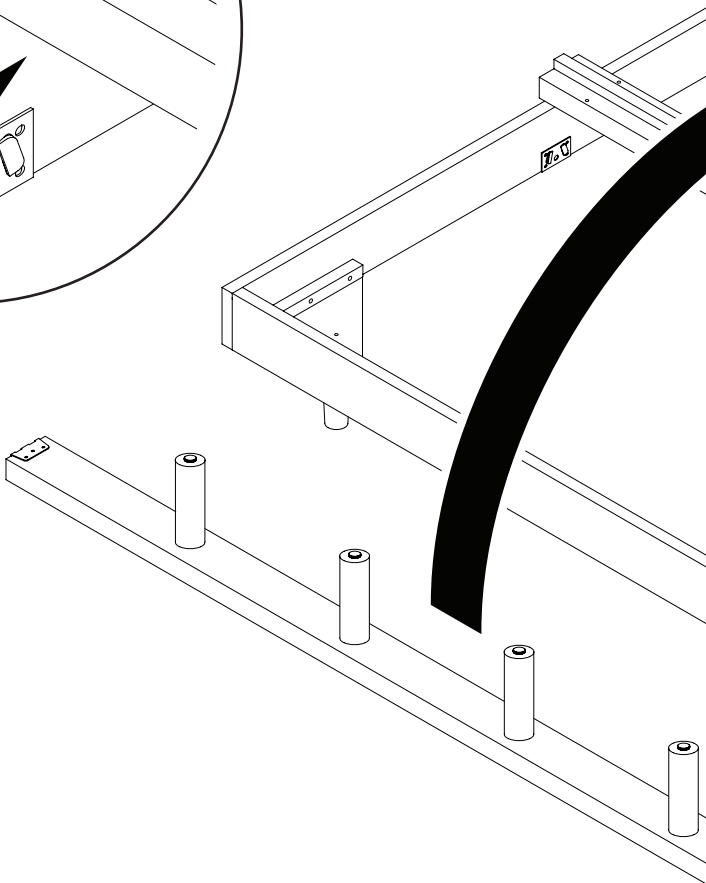
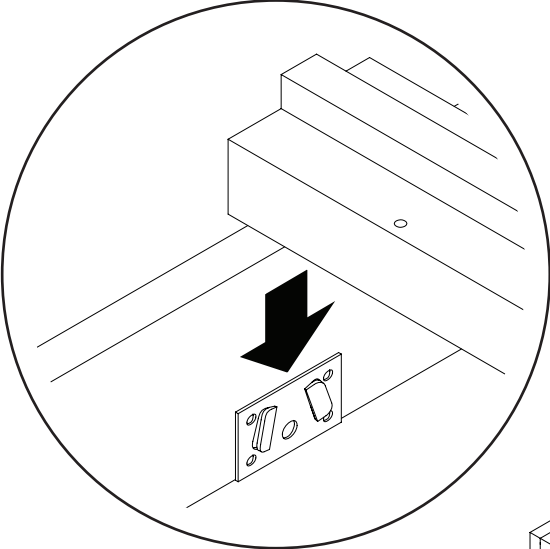
K. Center Support x1

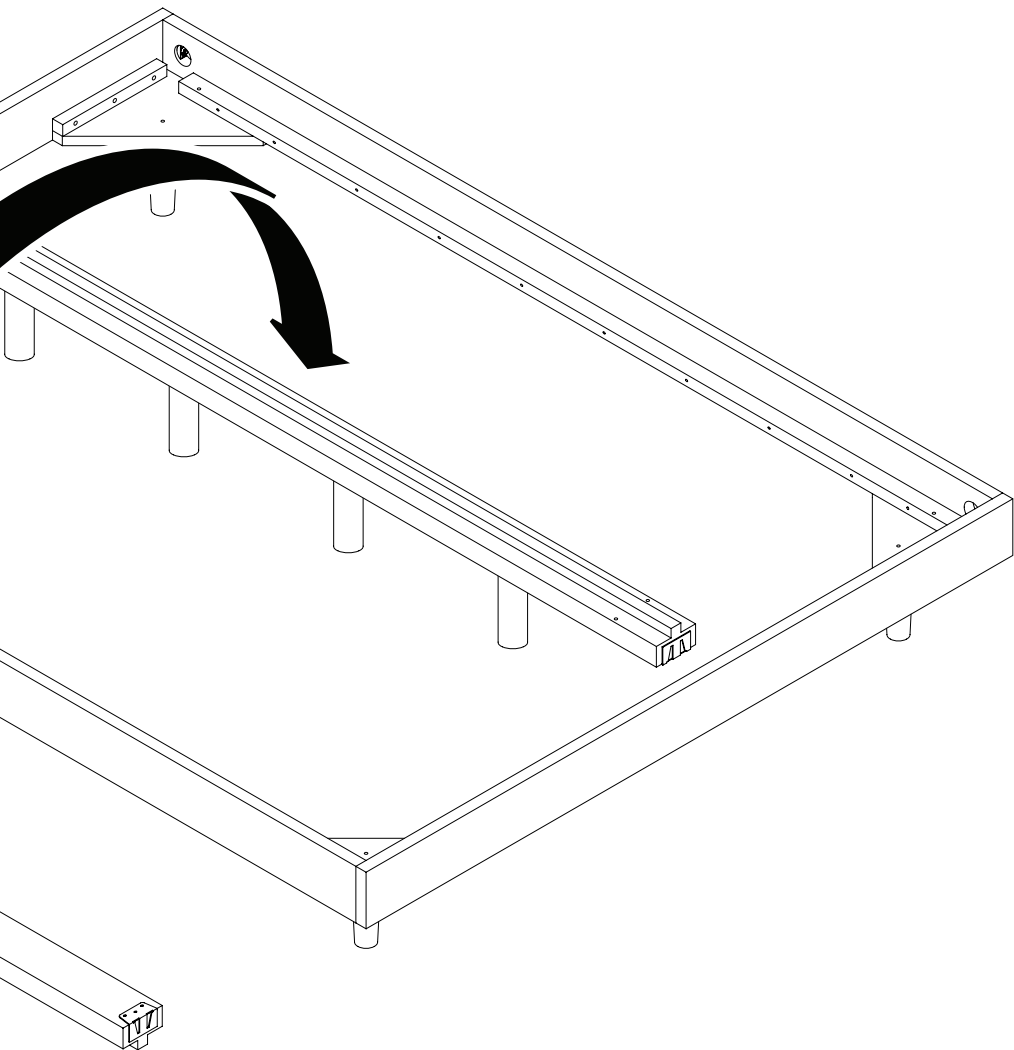
N. Straight Leg x4 or O. Tapered Leg x4



Mount the remaining legs to the center support.

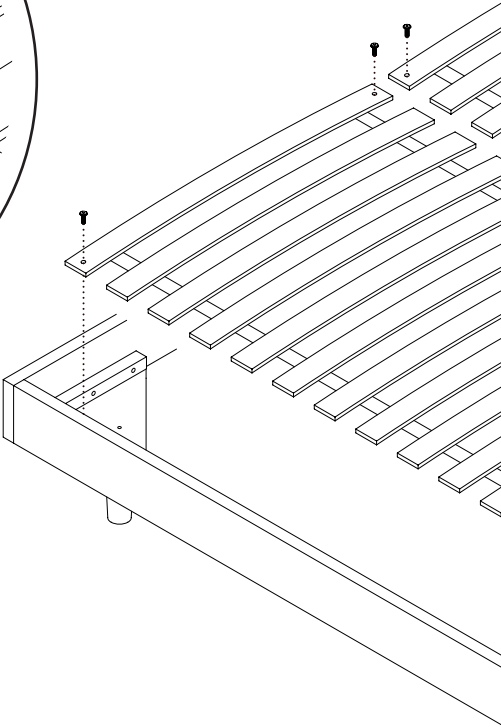
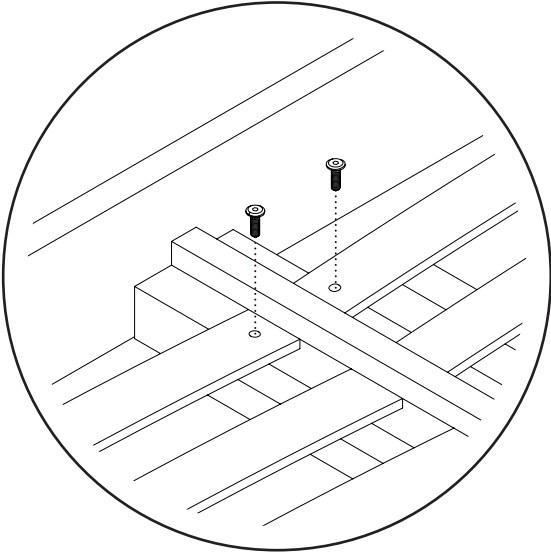
Step 6.





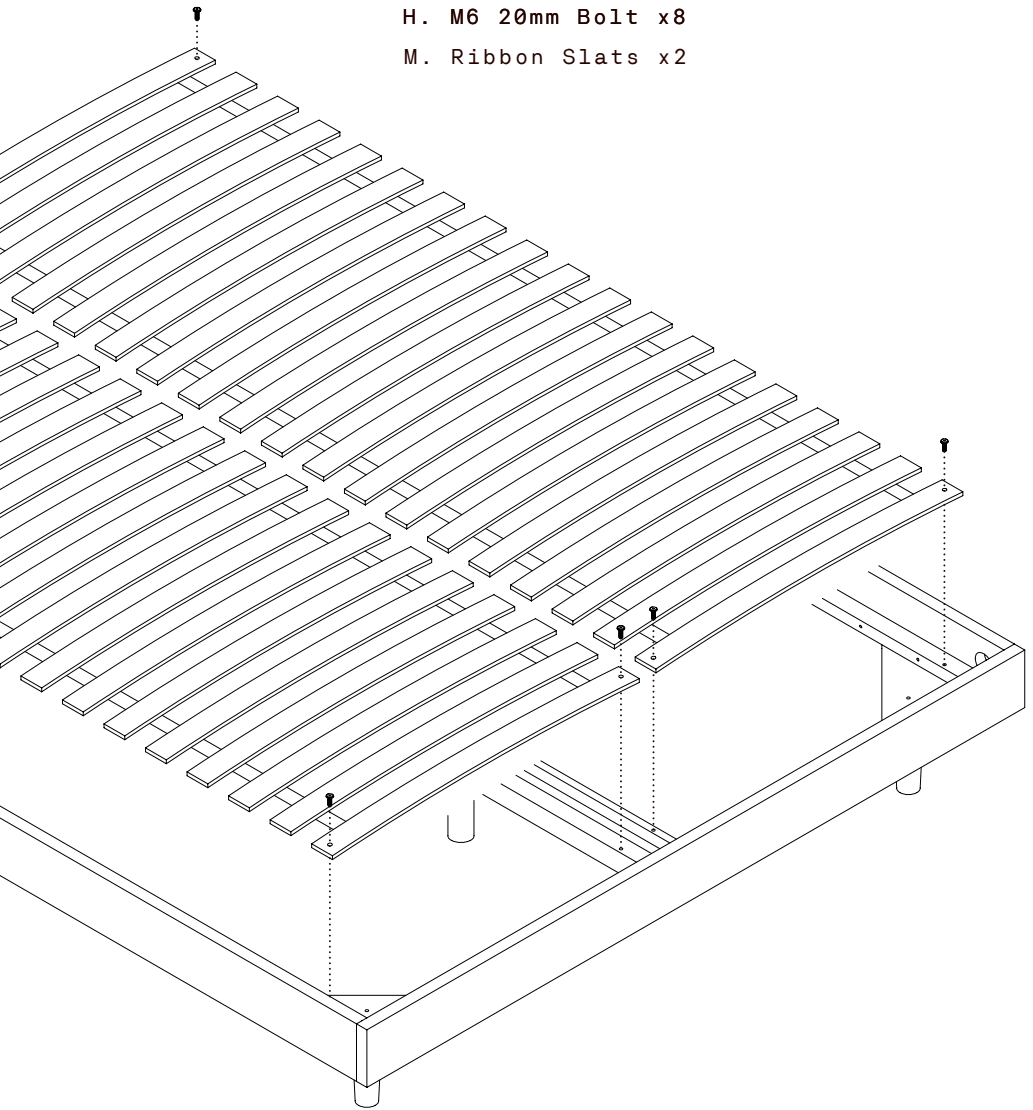
MYSA BED

Step 7.



H. M6 20mm Bolt x8

M. Ribbon Slats x2



NEED MORE HELP?
CONTACT US AT SUPPORT@AKRONSTREET.COM