

ACCESS MADE EASY.

Swivelpole™

LOWERING POLE SOLUTIONS

CATALOGUE 2024/25

AUS

STANDARD PRODUCT RANGE



2 DECADES OF
INNOVATION



\$ MILLIONS
SAVED

Trusted by
ASX & Fortune
500 Companies



CERTIFIED



IMAGE COURTESY OF WOODSIDE

Maxis™ is the next generation lowering pole solution for safely accessing light fixtures and equipment.

SWIVELPOLE.COM

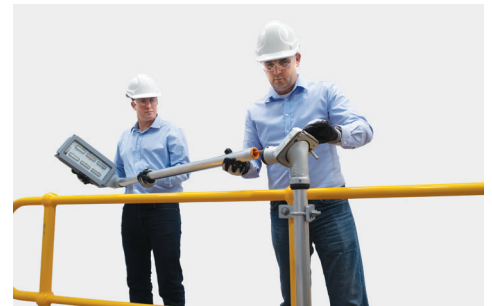
PROBLEM



SOLUTION

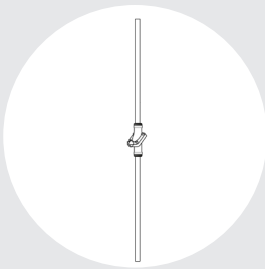


Upgrade to LED without using a ladder



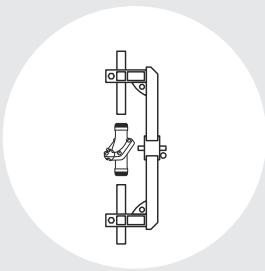
**SOLUTIONS FOR INCORPORATING INTO
NEW BUILD AND CONVERTING EXISTING
RIGID POLES TO LOWERING POLES**

CONTENTS



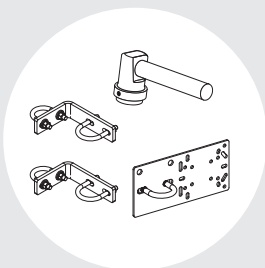
GREENFIELDS (NEW BUILD)

Standard Product Range - Model Index	6
Stanchion Mounted	9
Stanchion & Structure Mounted	10
Stanchion or Stanchion & Structure Mounted	11
Structure Mounted	12
Column/Wall Mounted	14
Horizontal Outreach	16
High Vibration Pole Top	17
Freestanding	18



BROWNFIELDS (EXISTING)

Standard Product Range - Model Index	20
Maxis™ joint	21
Maxis™ joint with high vibration pole top	23
Pole Conversion Tool Kit	24



ACCESSORIES

Mounting Brackets	25
Luminaire Mounts	27
F7-M2 and G5 Components	28
Junction Box Plates	29

Appendix: Technical Specifications	30
------------------------------------	----

Solutions for all applications

Swivelpole™

INDUSTRIAL COMMERCIAL DOMESTIC

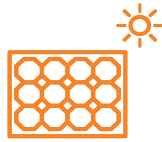
**Safely access any fixtures
in seconds for fast and
affordable inspection,
maintenance and upgrades**



Lighting



CCTV



Solar Panels



Sirens & Alarms



Networking



Instruments & more

Benefits



Cast steel joint
with minimal
moving parts



Suitable for
hazardous
locations & harsh
environments



Multiple product
configurations to
suit a range of
requirements



Superior 45°
lowering pole
technology



The only solution
for converting
existing rigid
poles to
lowering poles

SAVE MILLIONS

Do your sums - multiply your cost of access without a Swivelpole™ times the amount of poles you have

DID YOU KNOW?

It's cheaper to install a Swivelpole than build a scaffold



SCAFFOLD



E.W.P.



LADDER



Swivelpole™



GREENFIELDS (NEW BUILD)

An entire lowering pole with optional accessories such as mounting brackets, luminaire mounts and junction box plates.



BROWNFIELDS (EXISTING)

Convert rigid poles to lowering poles by installing a Maxis™ joint using the ingenious pole conversion tool kit.



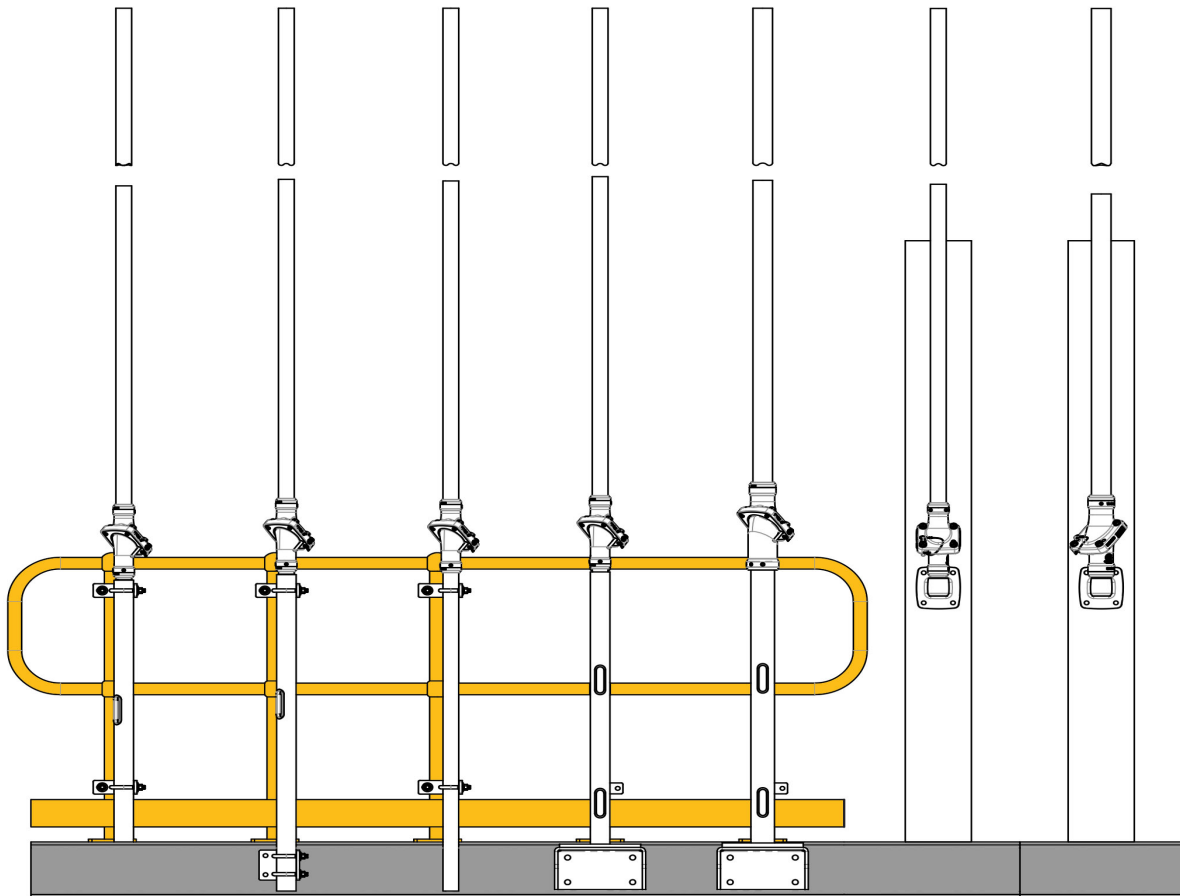
**“IT COSTS MORE TO BUILD
A SCAFFOLD THAN INSTALL
A SWIVELPOLE™ ”**

**JASON PENNELL
ELECTRICAL CONTRACTOR**

Swivelpole™ Standard Product Range

Model Index

Greenfields



S1-M1

S2-M1

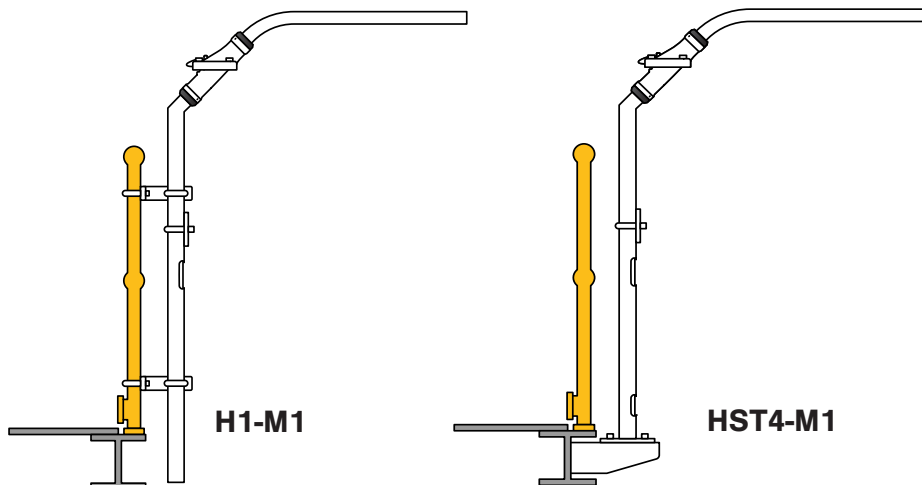
S3-M1

ST4-M1

ST7-M2

C1-M1

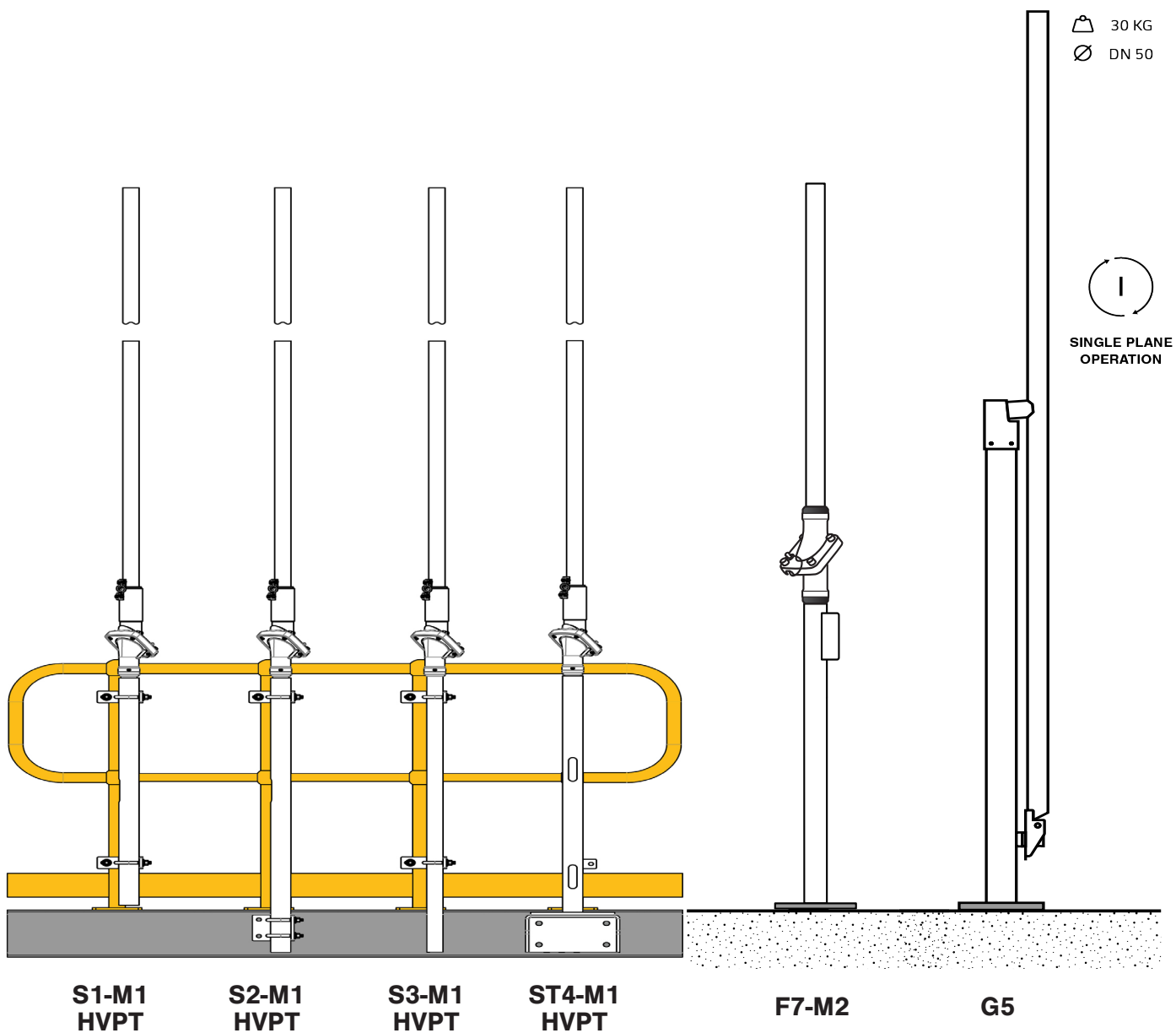
C2-M2



H1-M1

HST4-M1

Swivelpole™ Standard Product Range Continued



⚖️ Max. Combined Weight
∅ Diameter

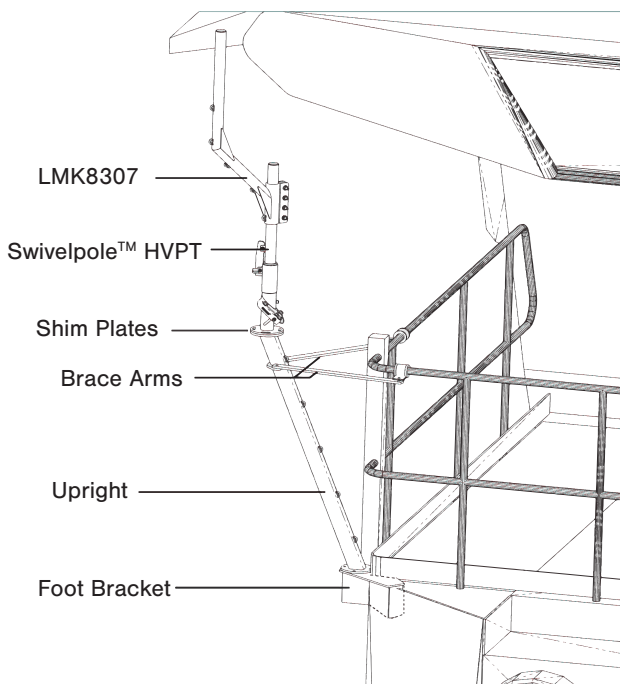
Swivelpole™ Autonomous Truck HVPT

Withstand extreme vibration with a High Vibration Pole Top

The autonomous truck HVPT pole is proven to withstand the harsh vibrations of autonomous vehicles compared to rigid poles that are prone to break easily. With a remarkable life span of up to 5 years without failure, our product has the potential to save millions of dollars in downtime.



Example Arrangement



In the event of an aerial breakage, the pole can be quickly lowered and a new antenna installed ensuring your autonomous vehicle is operational again as quickly as possible.

Swivelpole™ offers a range of mounting solutions tailored to suit a number of makes and models of autonomous vehicles and if we don't have an existing solution, we have an experienced team ready to help.

To request more information about our autonomous truck HVPT solutions scan the QR code.



Swivelpole™ S1 M1

Stanchion Mounted

Greenfields

2.4 – 3m

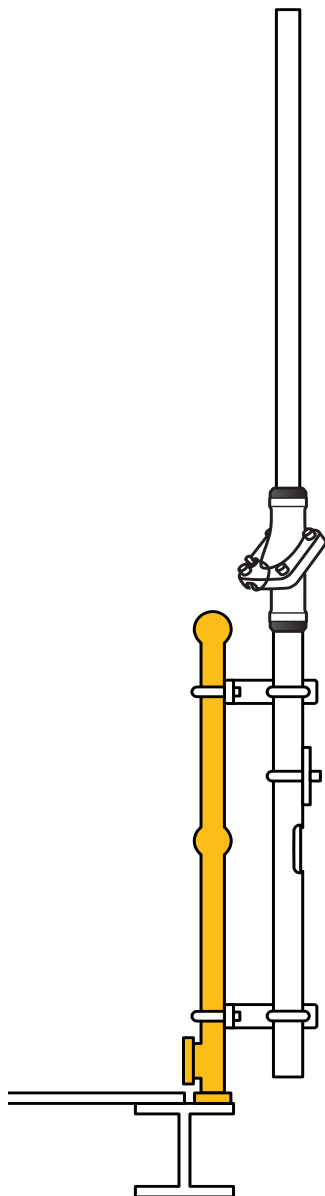
S1 M1

Top

DN40

Base

DN50



Designed for installation in accordance with IEC standards

Applications

Ideal for lighting on walkways, platforms, stairways, and conveyors.

Accessories

For optional accessories, see pages 25 - 29.



Scan Code for more information on Swivelpole™ S1 M1.

ORDERING INFORMATION

Swivelpole™ S1 M1

Installed height	Weight (kg)	Pole top/base finish	Product code
2.4m	14.3	HG	S1-M1-2400-P-HG
3.0m	16.0	HG	S1-M1-3000-P-HG
2.4m	15.9	SS	S1-M1-2400-P-SS
3.0m	17.9	SS	S1-M1-3000-P-SS

HG - Hot-dip Galvanized SS - Stainless Steel All dimensions are nominal, in metric sizes

Swivelpole™ S2 M1

Stanchion & Structure Mounted

Greenfields

2.4 – 3m

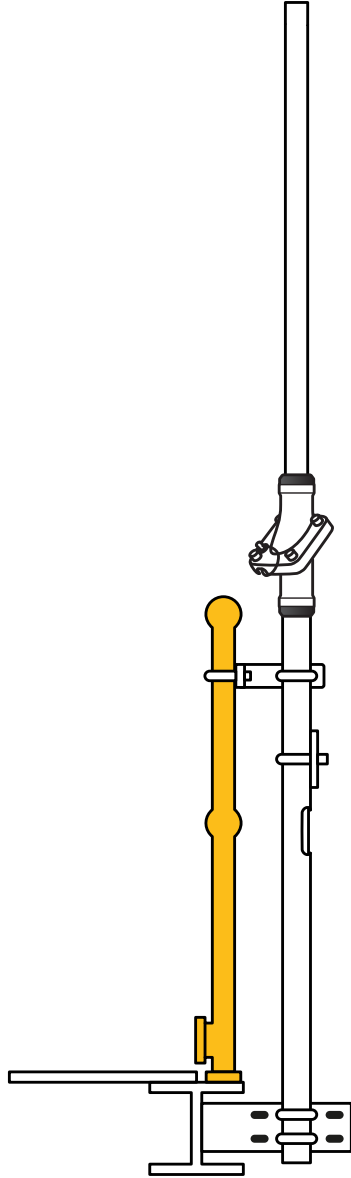
S2 M1

Top

DN40

Base

DN50



Designed for installation in accordance with IEC standards

Applications

Ideal for lighting on walkways, platforms, stairways, and conveyors.

Accessories

For optional accessories, see pages 25 - 29.



Scan Code for more information on Swivelpole™ S2 M1.

ORDERING INFORMATION

Swivelpole™ S2 M1

Installed height	Weight (kg)	Pole top/base finish	Product code
2.4m	15.2	HG	S2-M1-2400-P-HG
3.0m	16.0	HG	S2-M1-3000-P-HG
2.4m	16.8	SS	S2-M1-2400-P-SS
3.0m	18.9	SS	S2-M1-3000-P-SS

HG - Hot-dip Galvanized SS - Stainless Steel All dimensions are nominal, in metric sizes

Swivelpole™ S3 M1

Stanchion or Stanchion & Structure Mounted

Greenfields

2.4 – 3m

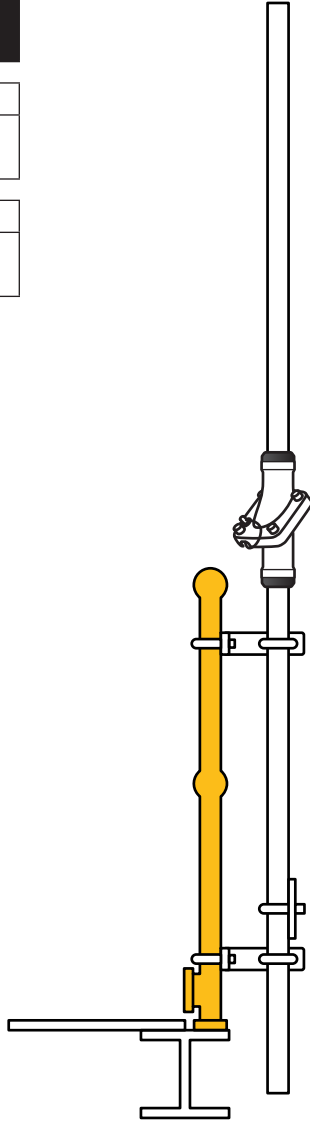
S3 M1

Top

DN40

Base

DN40



Designed for installation in accordance with IEC standards

Aluminium Option

Light weight - reduced stress on stanchion, corrosion free, cost effective, suitable for all wind regions.

Applications

Ideal for lighting on walkways, platforms, stairways, and conveyors.

Accessories

For optional accessories, see pages 25 - 29.



Scan Code for more information on Swivelpole™ S3 M1.

ORDERING INFORMATION

Swivelpole™ S3 M1

Installed height	Weight (kg)	Pole top/base finish	Product code
2.4m	13.3	HG	S3-M1-2400-P-003-HG
3.0m	15.0	HG	S3-M1-3000-P-003-HG
2.4m	8.6	AL	S3-M1-2400-P-003-AL
3.0m	9.4	AL	S3-M1-3000-P-003-AL
2.4m	15.1	SS	S3-M1-2400-P-003-SS
3.0m	17.1	SS	S3-M1-3000-P-003-SS

HG - Hot-dip Galvanized SS - Stainless Steel AL - Aluminium All dimensions are nominal, in metric sizes

Swivelpole™ ST4 M1

Structure Mounted

Greenfields

2.4 – 3m

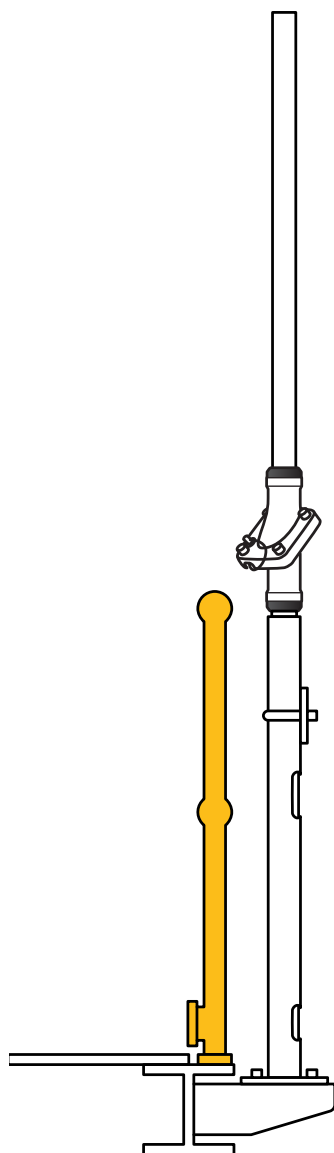
ST4 M1

Top

DN40

Base

DN50



Designed for installation in accordance with IEC standards

Applications

Ideal for lighting on walkways, platforms, stairways, and conveyors.

Accessories

For optional accessories, see pages 25 - 29.



Scan Code for more information on Swivelpole™ ST4 M1.

The Swivelpole™ ST4 M1 replaces the Swivelpole™ ST6 M1.

ORDERING INFORMATION

Swivelpole™ ST4 M1

Installed height	Weight (kg)	Pole top/base finish	Product code
2.4m	21.1	HG	ST4-M1-2400-P-HG
3.0m	22.8	HG	ST4-M1-3000-P-HG
2.4m	22.5	SS	ST4-M1-2400-P-SS
3.0m	24.5	SS	ST4-M1-3000-P-SS

HG - Hot-dip Galvanized SS - Stainless Steel All dimensions are nominal, in metric sizes

Swivelpole™ ST7 M2

Structure Mounted

Greenfields

2.4 – 3m

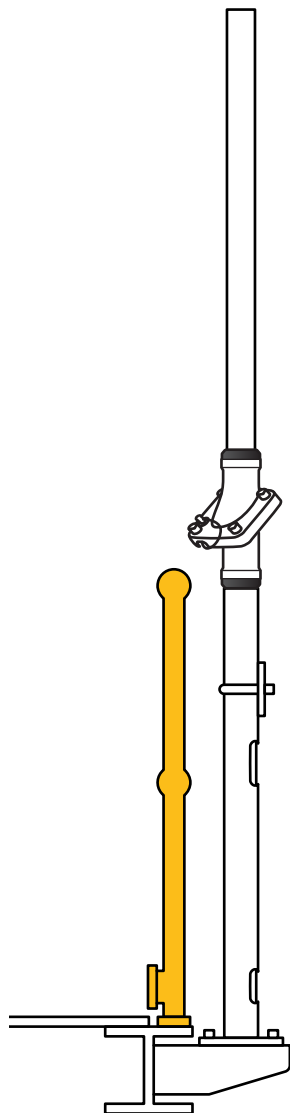
ST7 M2

Top

DN50

Base

DN65



Designed for installation in accordance with IEC standards

Applications

Ideal for lighting on walkways, platforms, stairways, and conveyors.

Accessories

For optional accessories, see pages 25 - 29.



Scan Code for more information on Swivelpole™ ST7 M2.

ORDERING INFORMATION

Swivelpole™ ST7 M2

Installed height	Weight (kg)	Pole top/base finish	Product code
2.4m	31.2	HG	ST7-M2-2400-P-HG
3.0m	34.2	HG	ST7-M2-3000-P-HG
2.4m	16.0	AL	ST7-M2-2400-P-AL
3.0m	17.3	AL	ST7-M2-3000-P-AL
2.4m	32.6	SS	ST7-M2-2400-P-SS
3.0m	35.8	SS	ST7-M2-3000-P-SS

HG - Hot-dip Galvanized AL - Aluminium SS - Stainless Steel All dimensions are nominal, in metric sizes

Swivelpole™ C1 M1

Column/Wall mounted

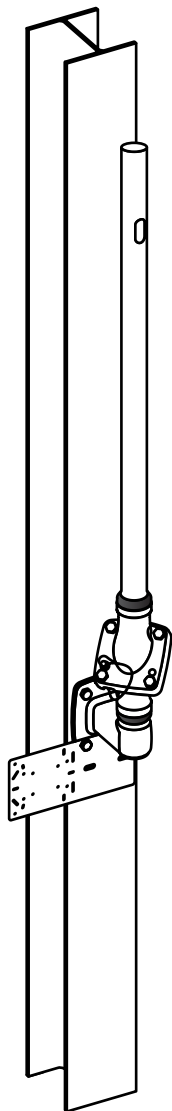
Greenfields

2.4 – 3m

C1 M1

Top

DN40



Designed for installation in accordance with IEC standards

Applications

Ideal for internal structure lighting, area lighting and sub-station walls

Accessories

For optional accessories, see pages 25 - 29.



Scan Code for more information on Swivelpole™ C1 M1.

ORDERING INFORMATION

Swivelpole™ C1 M1

Installed height	Weight (kg)	Pole top/base finish	Product code
2.4m	12.2	HG	C1-M1-2400-P-HG
3.0m	13.9	HG	C1-M1-3000-P-HG
2.4m	13.7	SS	C1-M1-2400-P-SS
3.0m	15.8	SS	C1-M1-3000-P-SS

HG - Hot-dip Galvanized SS - Stainless Steel All dimensions are nominal, in metric sizes

Swivelpole™ C2 M2

Column/Wall mounted

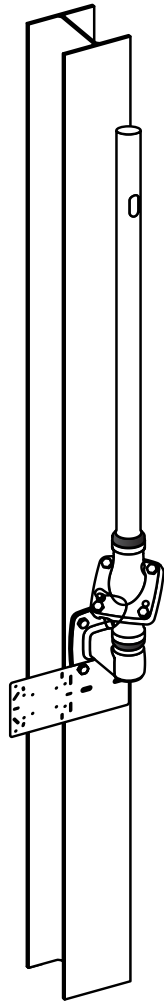
Greenfields

2.4 – 4m

C2 M2

Top

DN50



Designed for installation in accordance with IEC standards

Applications

Ideal for internal structure lighting, area lighting and sub-station walls

Important information

2 person operation is required for poles over 3 metres.

Accessories

For optional accessories, see pages 25 - 29.



Scan Code for more information on Swivelpole™ C2 M2.

ORDERING INFORMATION

Swivelpole™ C2 M2

Installed height	Weight (kg)	Pole top/base finish	Product code
2.4m	17.4	HG	C2-M2-2400-P-HG
3.0m	20.6	HG	C2-M2-3000-P-HG
4.0m	26.0	HG	C2-M2-4000-P-HG
2.4m	18.1	SS	C2-M2-2400-P-SS
3.0m	21.3	SS	C2-M2-3000-P-SS
4.0m	26.7	SS	C2-M2-4000-P-SS

HG - Hot-dip Galvanized SS - Stainless Steel All dimensions are nominal, in metric sizes

Swivelpole™ H-Series

Horizontal Outreach

Greenfields

1.5m

H1 M1

HST4 M1

Top

DN 40

Top

DN 40

Base

DN 50

Base

DN 50

Designed for installation in accordance with IEC standards

Applications

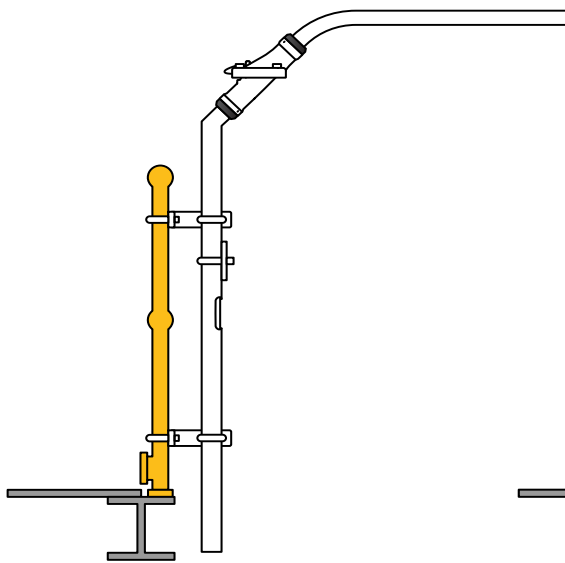
Ideal for lighting outside guardrails and below walkways.

Accessories

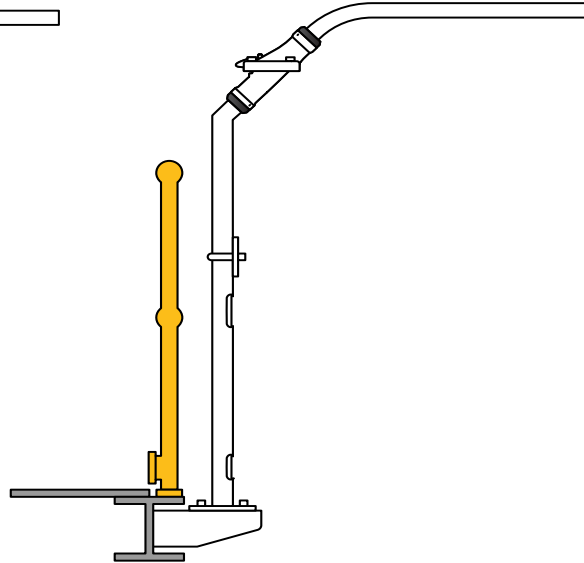
For optional accessories, see pages 25 - 29.



Scan Code for more information on Swivelpole™ H-Series.



H1 M1 Stanchion & Structure mounted



HST4 M1 Structure mounted

ORDERING INFORMATION

Swivelpole™ H-Series

Installed height	Weight (kg)	Pole top/base finish	Product code
1.5m	15.2	HG	H1-M1-1500-10-P-HG
1.5m	21.8	HG	HST4-M1-1500-10-P-HG

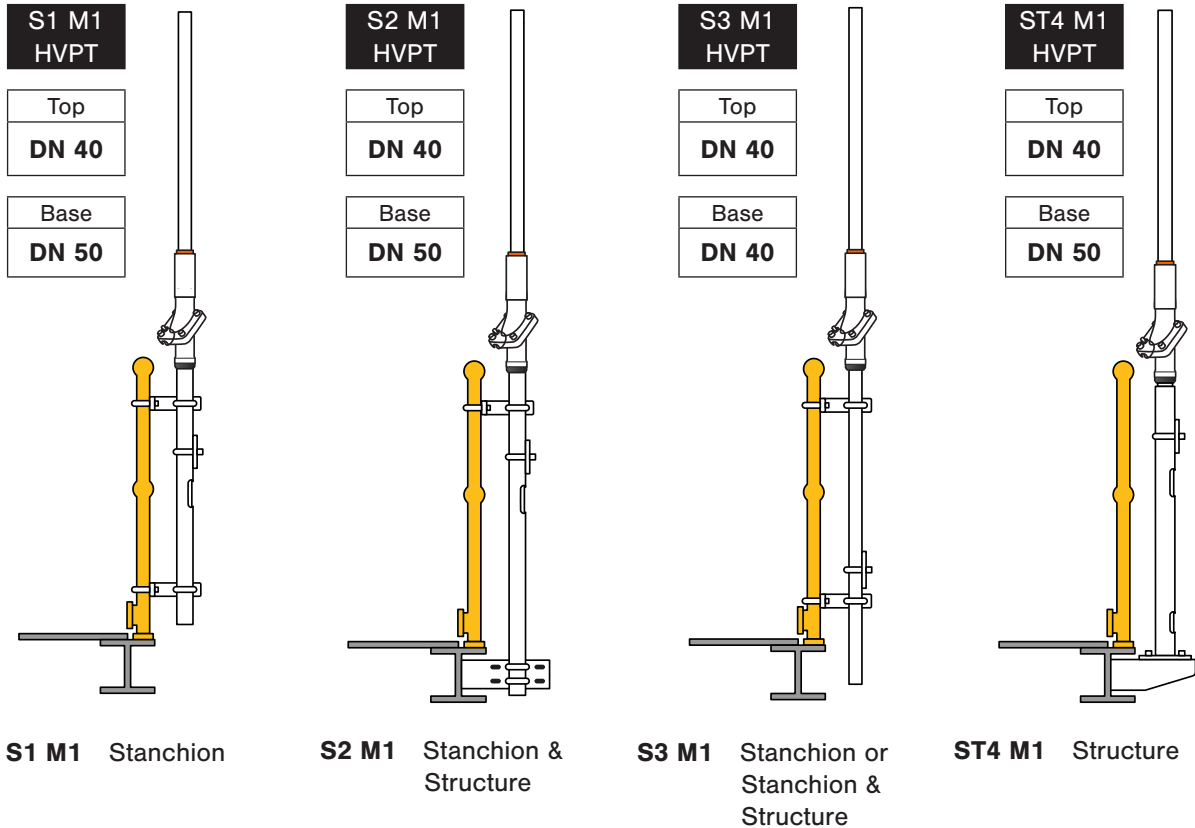
HG - Hot-dip Galvanized All dimensions are nominal, in metric sizes

Swivelpole™ HVPT Series

Withstand extreme vibration with a High Vibration Pole Top

Greenfields

2.4 – 3m



Accessories

For optional accessories, see pages 25 - 29.



Scan Code for more information on Swivelpole™ HVPT Series.

ORDERING INFORMATION

Swivelpole™ HVPT Series

Installed height	Weight (kg)	Pole top/base finish	Product code
2.4m	15.2	HG	S1-M1-HVPT-2400-P-001-HG
3.0m	17.3	HG	S1-M1-HVPT-3000-P-001-HG
2.4m	16.2	HG	S2-M1-HVPT-2400-P-001-HG
3.0m	18.3	HG	S2-M1-HVPT-3000-P-001-HG
2.4m	14.2	HG	S3-M1-HVPT-2400-P-013-HG
3.0m	16.3	HG	S3-M1-HVPT-3000-P-013-HG
2.4m	22.0	HG	ST4-M1-HVPT-2400-P-001-HG
3.0m	24.1	HG	ST4-M1-HVPT-3000-P-001-HG

HG - Hot-dip Galvanized All dimensions are nominal, in metric sizes

Swivelpole™ F7 M2

Freestanding

Greenfields

3 – 6m

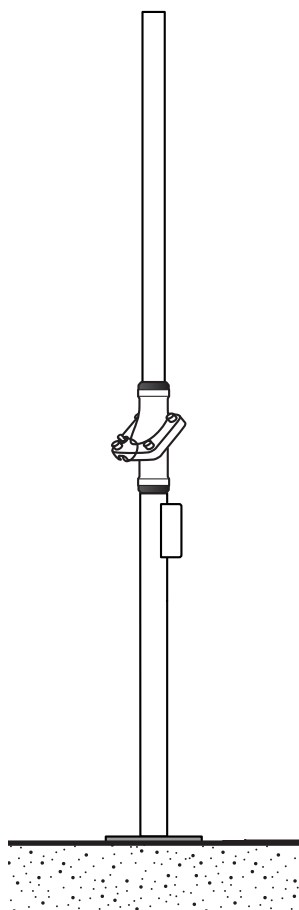
F7 M2

Top

DN 50

Base

DN 65



Versatile lowering pole solution for light-weight fixtures and equipment.

Applications

Ideal for accommodation camps and villages, parks, pathways, car parks, tennis courts, railway platforms, amenity and avenue lighting.

Accessories

For optional accessories, see pages 25 - 29.



Scan Code for more information on Swivelpole™ F7 M2. Including EPA Matrix for suitability.

ORDERING INFORMATION

Swivelpole™ F7 M2

Installed height	Weight (kg)	Pole top/base finish	Product code
3.0m	24.4	HG	F7-M2-3000-P-HG
4.0m	28.5	HG	F7-M2-4000-P-HG
5.0m	32.6	HG	F7-M2-5000-P-HG
6.0m	36.7	HG	F7-M2-6000-P-HG
3.0m	16.6	AL	F7-M2-3000-P-AL
4.0m	18.7	AL	F7-M2-4000-P-AL
5.0m	20.9	AL	F7-M2-5000-P-AL
6.0m	23.0	AL	F7-M2-6000-P-AL
3.0m	16.6	AL-AN	F7-M2-3000-P-AL-AN
4.0m	18.7	AL-AN	F7-M2-4000-P-AL-AN
5.0m	20.9	AL-AN	F7-M2-5000-P-AL-AN
6.0m	23.0	AL-AN	F7-M2-6000-P-AL-AN

HG - Hot-dip Galvanized AL - Aluminium AL-AN - Aluminium Anodised

All dimensions are nominal, in metric sizes

Giraffe Pole™ G5

Freestanding

Greenfields

6 – 7m

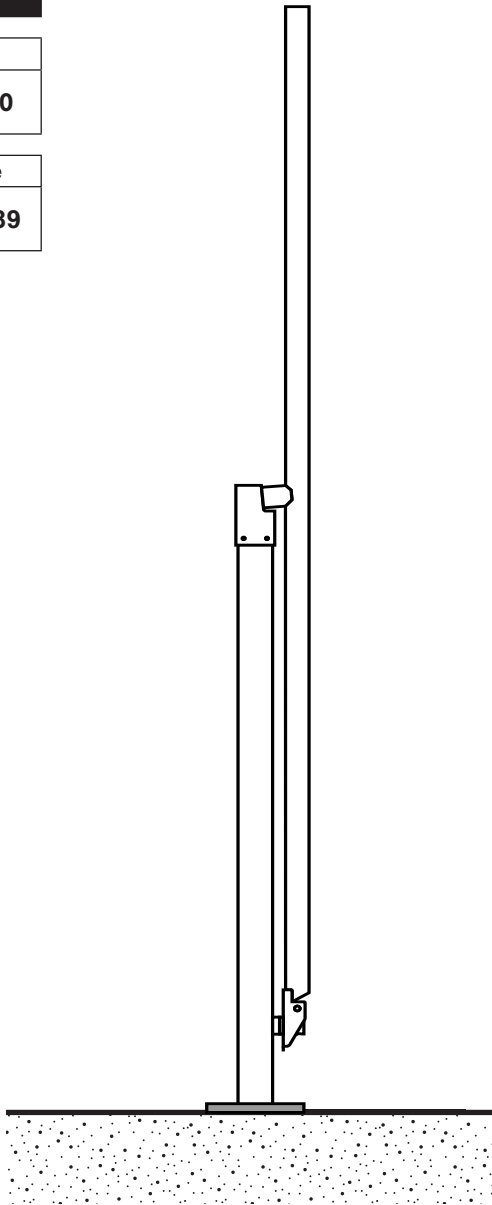
G5

Top

DN 50

Base

SHS 89



A medium-duty solution for mounting equipment at heights up to 7 metres.

Applications

Ideal for roadways, pathways, accommodation villages, schools, universities, prisons, car parks, retirement villages and tennis courts.

Accessories

For optional accessories, see pages 25 - 29.



Scan Code for more information on Swivelpole™ G5. Including EPA Matrix for suitability.

ORDERING INFORMATION

Swivelpole™ G5

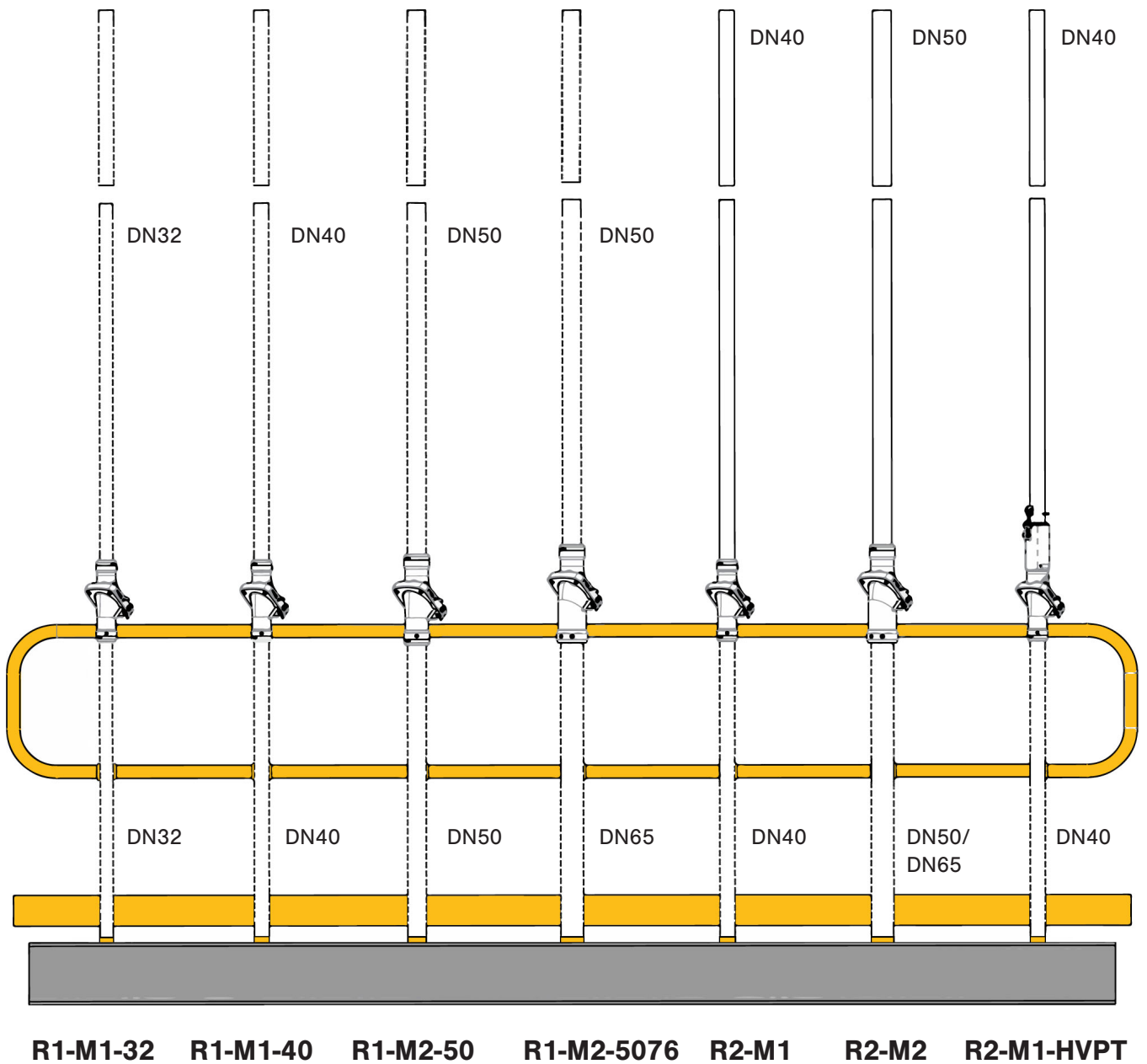
Installed height	Weight (kg)	Pole top/base finish	Product code
6.0m	70.3	HG	G5-6000-P-HG
7.0m	75.0	HG	G5-7000-P-HG

HG - Hot-dip Galvanized All dimensions are nominal, in metric sizes

Swivelpole™ Standard Product Range

Model Index

Brownfields



Swivelpole™ R1 M1 & R1 M2

Maxis™ joint

Brownfields

Greenfields

R1 M1

R1 M2

DN 40

DN 50

DN 50

DN 50/65

Brownfields

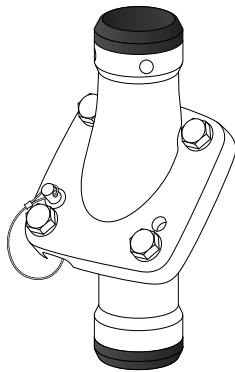
Convert rigid poles to lowering poles by installing a Maxis™ joint using the pole conversion tool kit, see page 24.

Greenfields

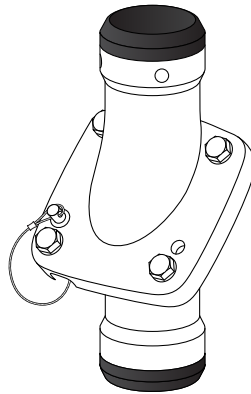
Build a lowering pole by incorporating a Maxis™ joint into your design/structure using your own pipe.



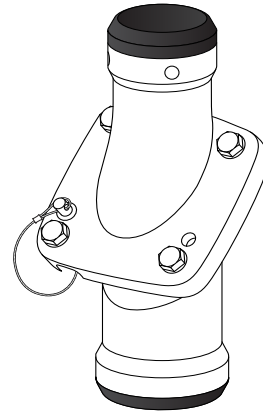
Scan Code for more information on Swivelpole™ R1 M1 and R1 M2.



R1-M1-32 & R1-M1-40



R1-M2-50



R1-M2-5076

ORDERING INFORMATION

Swivelpole™ R1 M1 & R1 M2

Suits pole size (DN)	Weight (kg)	Finish*	Maximum equipment Weight (kg) by height				Product code
			2.4 m	3 m	4 m	5 m	
32	4.6	Hot-Dip Galvanized	20	15	-	-	R1-M1-32-HG
40	4.4	Hot-Dip Galvanized	20	20	-	-	R1-M1-40-HG
50	6.2	Hot-Dip Galvanized	20	20	15	10	R1-M2-50-HG
65	7.3	Hot-Dip-Galvanized	20	20	15	10	R1-M2-5076-HG
32	5.2	Stainless-Steel	20	15	-	-	R1-M1-32-SS
40	4.7	Stainless-Steel	20	20	-	-	R1-M1-40-SS
50	6.6	Stainless-Steel	20	20	15	10	R1-M2-50-SS
65	8.9	Stainless-Steel	20	20	15	10	R1-M2-5076-SS

HG - Hot-dip Galvanized SS - Stainless Steel All dimensions are nominal, in metric sizes

Swivelpole™ R2 M1 & R2 M2

Maxis™ joint

Brownfields

2.4 - 3m

R2 M1

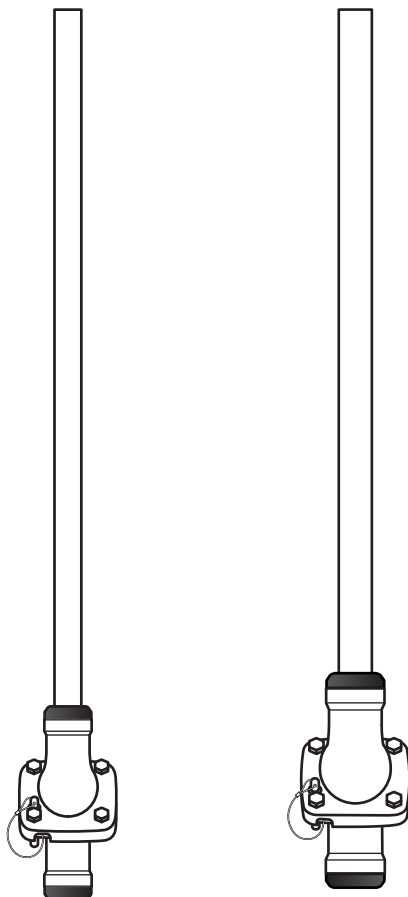
Top

DN 40

R2 M2

Top

DN 50



Brownfields

Convert rigid poles to lowering poles by installing a Maxis™ joint using the pole conversion tool kit, see page 24.

Accessories

For optional accessories, see pages 25 - 29.



Scan Code for more information on Swivelpole™ R2 M1 & R2 M2.

ORDERING INFORMATION

Swivelpole™ R2-M1 & R2-M2

Suits pole size (DN)	Installed height	Weight (kg)	Pole top/base finish	Product code
40	2.4m	8.9	HG	R2-M1-40-2400-P-HG
40	3.0m	10.6	HG	R2-M1-40-3000-P-HG
40	2.4m	9.9	SS	R2-M1-40-2400-P-SS
40	3.0m	11.9	SS	R2-M1-40-3000-P-SS
50	2.4m	12.2	HG	R2-M2-50-2400-P-HG
50	3.0m	15.2	HG	R2-M2-50-3000-P-HG
50	2.4m	13.3	SS	R2-M2-50-2400-P-SS
50	3.0m	16.3	SS	R2-M2-50-3000-P-SS

HG - Hot-dip Galvanized SS - Stainless Steel All dimensions are nominal, in metric sizes

Swivelpole™ R2 M1 HVPT

Maxis™ joint with high vibration pole top

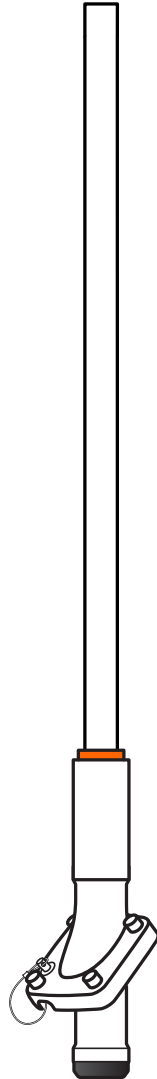
Brownfields

2.4 - 3m

R2 M1 HVPT

Top

DN 40



Withstand extreme vibration with a High Vibration Pole Top.

Brownfields

Convert rigid poles to lowering poles by installing a Maxis Joint and renewing the pole top using the pole conversion tool kit, see page 24.

Accessories

For optional accessories, see pages 25 - 29.



Scan Code for more information on Swivelpole™ R2 M1 HVPT.

ORDERING INFORMATION

Swivelpole™ R2-M1 HVPT

Installed height	Weight (kg)	Pole top/base finish	Product code
2.4m	9.8	HG	R2-M1-HVPT-40-2400-P-HG
3.0m	11.9	HG	R2-M1-HVPT-40-3000-P-HG

HG - Hot-dip Galvanized All dimensions are nominal, in metric sizes

Swivelpole™ PCTK

Pole Conversion Tool Kit

Brownfields

Convert rigid poles to lowering poles by installing a Maxis™ joint using the Pole Conversion Tool Kit.

Simple conversion process without impact to existing wiring or design intent. All work takes place at platform level, eliminating the risks of working at heights. There is no need for hot work permits.



ORDERING INFORMATION



Swivelpole™ PCTK

Suits Pole Sizes		Kit includes		Product code
DN	OD			
32	42.2mm	Pole conversion tool	Spare blades	PCTK-01
40	48.3mm	Ratchet pipe cutter	Socket wrench	
50	60.3mm	Marking tool	Cutting Oil, Riggers bag	

All dimensions are nominal.

Swivelpole™ Accessories

Mounting Brackets

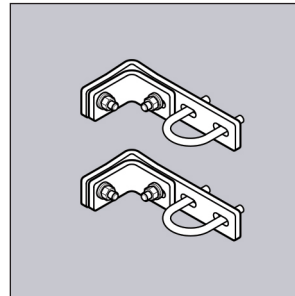
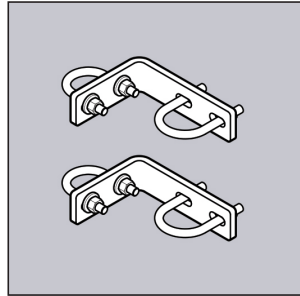
Kit includes brackets and fasteners.



Suits Stanchion Mounted Models

S3 M1

S3 M1 HVPT



MBK2-2-40

U-Bolt to stanchion

MBK6-6-40

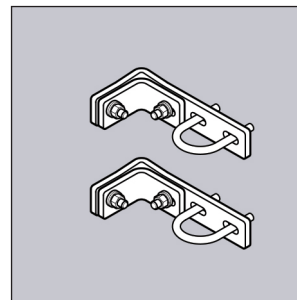
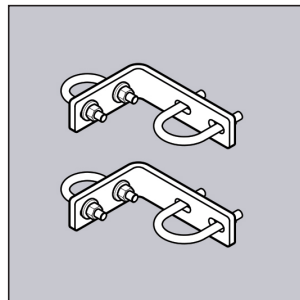
Clamp to stanchion

Suits Stanchion Mounted Models

S1 M1

H1 M1

S1 M1 HVPT



MBK2-2-50

U-Bolt to stanchion

MBK6-6-50

Clamp to stanchion

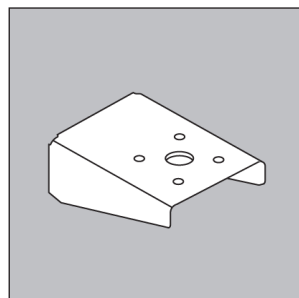
Suits Structure Mounted Models

ST4 M1

ST4 M1 HVPT

HST4 M1

ST7 M2



MBK9-002

Bolt to structure



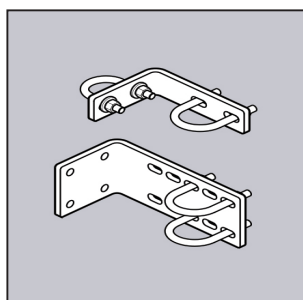
Mounting Brackets

Kit includes brackets and fasteners.

Suits Stanchion & Structure Mounted Models

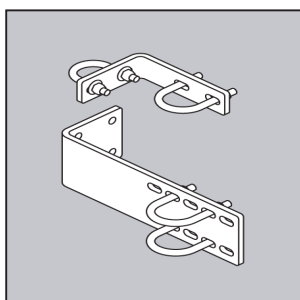
S3 M1

S3 M1 HVPT



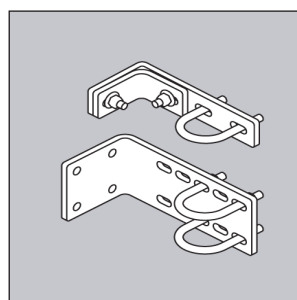
MBK2-5-40

U-Bolt to stanchion & Bolt to structure



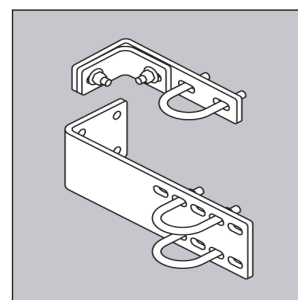
MBK2-5A-40

U-Bolt to stanchion & Bolt to structure



MBK6-5-40

Clamp to stanchion & Bolt to structure



MBK6-5A-40

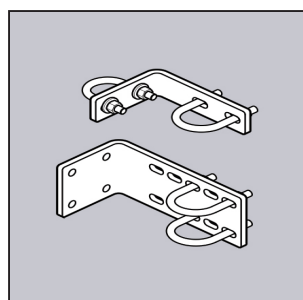
Clamp to stanchion & Bolt to stanchion

Suits Stanchion & Structure Mounted Models

S2 M1

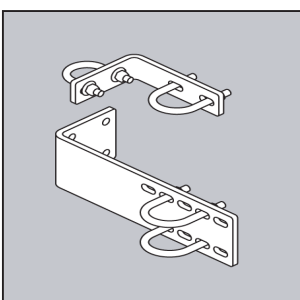
H1 M1

S2 M1 HVPT



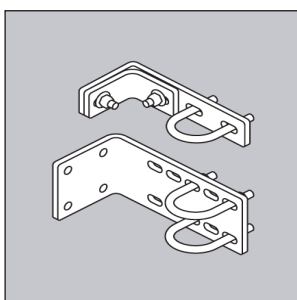
MBK2-5-50

U-Bolt to stanchion & Bolt to structure



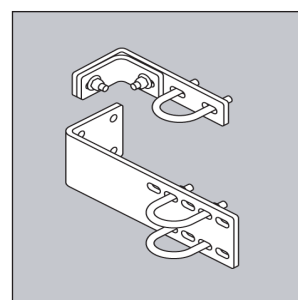
MBK2-5A-50

U-Bolt to stanchion & Bolt to *offset* structure



MBK6-5-50

Clamp to stanchion & Bolt to structure



MBK6-5A-50

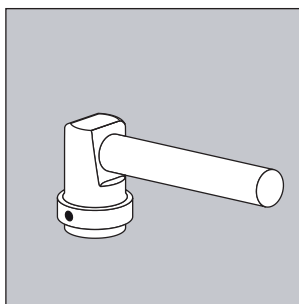
Clamp to stanchion & Bolt to *offset* structure



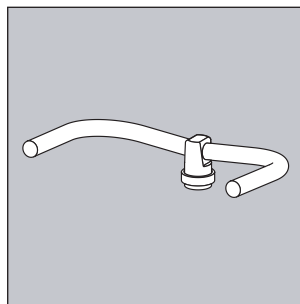
Luminaire Mounts

Suits DN40 and DN50 pole tops.

Fluorescent · LED · Other

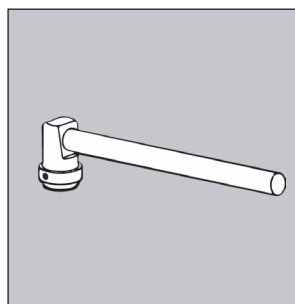


LMK1101

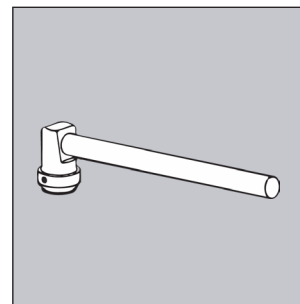


LMK1205

Fluorescent

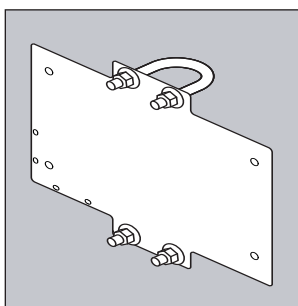


LMK2301

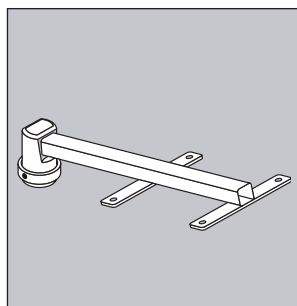


LMK2302

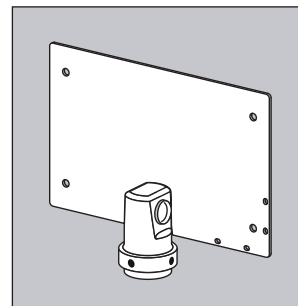
Bulkhead



LMK4101

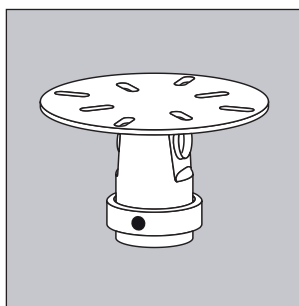


LMK4303



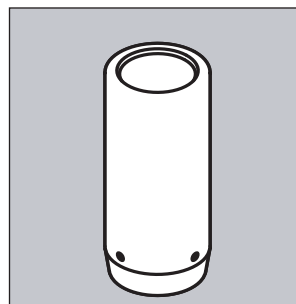
LMK4402

Alarm · Beacon · Siren



LMK6101-40

Expander



LMK8401-40

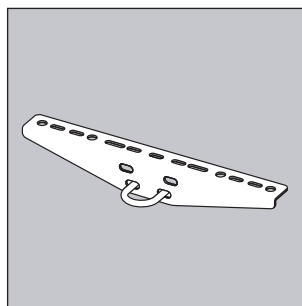


Luminaire Mounts

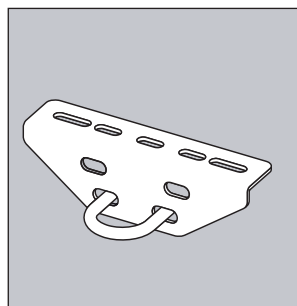
Suits DN40 and DN50 pole tops.

Universal - CCTV

Suits DN40, DN50 and DN65 pole tops.

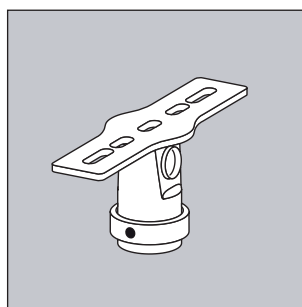


LMK5211

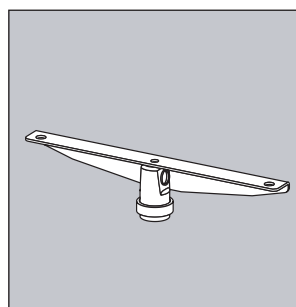


LMK5129

Floodlight

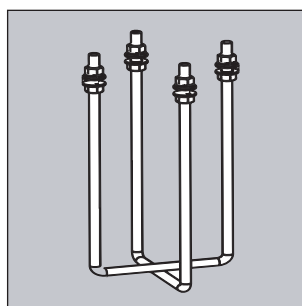


LMK5101

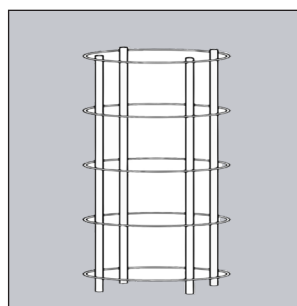


LMK5201

F7-M2 and G5 Components



**Cage Bolt
CBK130**



**Reinforcement
Cage**



Junction Box Plates

Designed for installations in accordance with IEC standards.

Suits Models

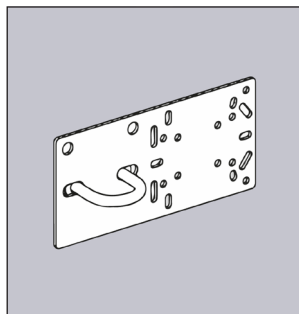
S1 M1

S2 M1

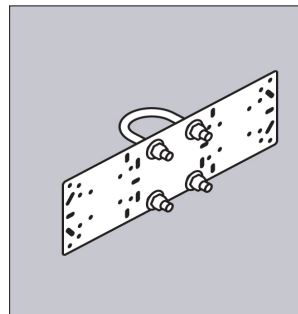
ST4 M1

HST4 M1

H1 M1



JBPK1208-50
Single Offset

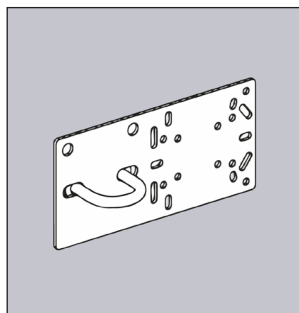


JBPK1201-50
Double, centre mounted

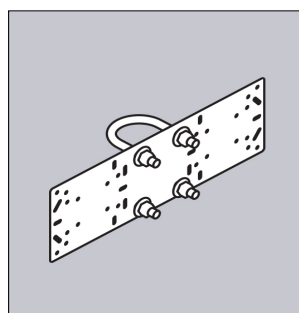
Suits Models

S3 M1

S3 M1 HVPT



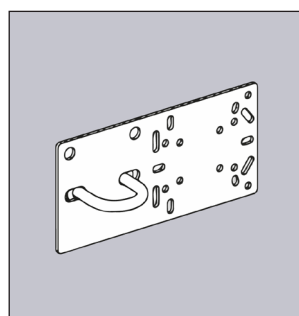
JBPK1208-40
Single Offset



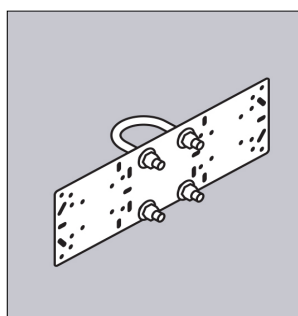
JBPK1201-40
Double, centre mounted

Suits Models

ST7 M2



JBPK1208-65
Single Offset



JBPK1201-65
Double, centre mounted

Technical Specifications – Maxis™ Joint and Assemblies

MAXIS™ JOINT MATERIAL & FINISH	
Material: Steel - Grade AISI 1045 Investment Cast	Material: Stainless Steel - Grade AISI 316 Investment Cast
Finish: Hot-dip galvanised (HG)	Finish: Electrolytic polishing
Compatible with aluminium products.	

MANUFACTURING STANDARDS – MAXIS™ ASSEMBLIES	
Steel Structures	AS 4100
Structural Design Actions	AS/NZS 1170
Steel Pipe	AS/NZS 1163 & ASTM A500
Stainless Steel Pipe	ASTM A312 & ASME B36.19
Hot-dip galvanising	ASTM A123 (USA) CSA G164 (Canada) AS/NZS 4680 (Australia)
Aluminium Pipe 6061 T6 or 6082 T6	AS/NZS 1866 (Australia) ASTM B429 (USA & Canada)

CERTIFICATION & CLASSIFICATION
<p>Maxis™ M1 and M2 models are listed by CSA as Certified under Master Contract number 257018, Certificate of Compliance 2568504, to the following standards:</p> <ul style="list-style-type: none"> • CSA Class 3426 02 - CSA C22.2 No.250.00-18 (Canada) • CSA Class 3426 82 - UL 1598; 4th Edition (US): <p>Acceptable for installation in Class 1, Division 2, Group A, B, C, and D Hazardous Locations, CSA Document 70216456. Complies with the following standards, to the extent applicable:</p> <ul style="list-style-type: none"> • CSA C22.2 No. 213-17/UL12.12.01_9th Edition Requirements for Class I, Division 2 equipment • C22.1 – 2018 Canadian Electrical Code Part 1; Safety Standard for Electrical Installation <p>Acceptable for installation in Class II Division 2, Groups E, F and G Hazardous Locations, CSA Document 70216455. Class II Division 2 product available upon request.</p> <p>Maxis™ M1 and M2 models have been evaluated as structurally adequate by a 3rd party Structural Engineer (Structural Certificate T-18-462, T-19-066 (Stainless Steel)) in accordance with the following relevant publications:</p> <ul style="list-style-type: none"> • National Building Code of Canada - Canadian wind-load data • CSA Standard S6 - Canadian Highway Bridge Design Code • CSA standard S16 (steel poles) • AASHTO (American Association of State Highway and Transportation Officials), standard • LTS (Standard Specifications for Structural Supports for Highway Signs, Luminaires and Traffic Signals) <p>The models are suitable for specification in the USA and Canada when loadings have been calculated in accordance with the above standards and design actions as listed in the Structural Certificate referenced above.</p>

BENDING MOMENT CAPACITY			
The following summarises the capacity of pole tops tested with the Maxis™ joint assembly and the load exceeded in testing. The tabulated capacities represent the loading in which testing was terminated and the joint remained functional.			
Maxis™ Model	Max Top Pole Size (GR350 Carbon Steel / GR205 Stainless Steel)	Joint capacity exceeded in testing (kNm)	
		Carbon steel	Stainless steel
M1	DN32 (42.4x4.9)	3.11	1.64
M1	DN40 (48.3x3.67)	3.11	1.64
M2	DN50 (60.3x5.54)	5.23	2.76
Note: Maxis™ M1 and M2 components form part of lowering light poles which are supplied independent of light fixture. As the final structural loading is dependent on the light fixture fitted and installation location, it is the design responsibility of the specifying engineer to ensure the structural adequacy of the model contained in the final installed light pole assembly, based on the limits of its structural elements provided above.			

DISCLAIMER
The adequacy of the guardrail and supporting structure must be verified by a site approved engineer. Swivelpole Group Pty Ltd and or Exemplar Products Pty Ltd, subsidiaries and related entities ("Swivelpole") will accept no responsibility for failure due to inadequacy of the supporting structure or guardrail to which the Maxis™ is mounted.

DESIGN COMPLIANCE
The Swivelpole™ product range has been developed to meet the design criteria of a range of site conditions, including hurricane winds and hazardous environments.
For additional information on our products and product configurations to suit your design compliance needs, please contact us at sales@swivelpole.com.
Site engineers are responsible for determining the relevant design criteria, including design wind speed and to select the appropriate products from the Swivelpole™ product range to meet this criteria.

WARRANTIES*
<p>5 year limited warranty</p> <p>1. All equipment and goods are warranted by the seller to be free from defects in material and workmanship for five (5) years from the date of shipment.</p> <p>Normal wear of equipment or goods, equipment or goods which are misused, abused, or damaged, or not used in accordance with the seller's instructions are excluded in this warranty.</p> <p>No warranty shall apply or responsibility be taken for any modifications, alterations or additions to the standard product design. This includes exceeding recommended maximum weights for any fittings or exceeding the installed height.</p> <p>No warranty shall apply where the product is exposed to caustic chemicals or harsh chemical, marine and salt environments.</p> <p>Optional material finish of powder coating is completed by third parties and whilst all care is taken by Swivelpole™, warranty is limited to the (12) months Supplier's standard warranty. This warranty does not apply to equipment or goods which are misused, abused or damaged or not used in accordance with seller's instructions. Normal wear of equipment or goods are excluded in this warranty. All care should be taken for the longevity of the powder coat finish.</p> <p>The adequacy of the High Vibration Pole Top (HVPT) is not guaranteed/ warranted for specific site suitability due to the vibration frequency variances in site and structure conditions. We can guarantee that the HVPT will improve performance and extend design life when compared to an ordinary pole exposed to the same vibrations. Swivelpole Group Pty Ltd and or Exemplar Products Pty Ltd, subsidiaries and related entities ("Swivelpole") will accept no responsibility or liability, direct or consequential, for failure of this product.</p> <p>2. Equipment or goods not manufactured by the seller but supplied through the seller shall carry the warranty of the original manufacturer.</p> <p>The seller's sole liability under this warranty shall be limited to either replacing or repairing without charge, at its factory or elsewhere at its discretion, any equipment or goods not meeting this warranty, or at seller's option, refunding the purchase price. The seller shall in no event be liable for any other direct or any special indirect or consequential damages of any kind under this contract or otherwise.</p> <p>* Subject to change without notice.</p>

COPYRIGHT & PATENT
This document is the property of and protected by copyright owned by Swivelpole Group Pty Ltd and or Exemplar Products Pty Ltd. The designs and other information embodied in this document comprise confidential information of Swivelpole Group Pty Ltd and or Exemplar Products Pty Ltd and form part of products covered by international patents and registered designs including US patent No 6957832 and US patent No 9945143. Unauthorised use, reproduction and disclosure are strictly prohibited.



SWIVELPOLE™ LOWERING POLE SOLUTIONS

**TRUSTED GLOBALLY BY
ASX & FORTUNE 500
COMPANIES**

Swivelpole™ is recognised globally for providing customers with simple, fast and affordable access to fixtures and equipment.

Our innovative access solutions eliminate the risk of working at heights, through the controlled lowering of equipment and fixtures to a safe and comfortable working position.

After almost two decades of continuous development and improvement, Swivelpole™ has developed a comprehensive product range to suit industrial, commercial and domestic applications up to 8 metres.

Swivelpole™ have an extensive global sales history to some of the world's largest companies and in the most remote and challenging environments. We continue to be specified as the product of choice for proven performance and Return on Investment.

SALES & SUPPORT

**AUS : +61-8-9582-0870
sales@swivelpole.com**

**7 Carleton Place,
Greenfields 6210
Western Australia**

Swivelpole™ © 2024

This document and all its contents is the property of Swivelpole Pty Ltd and or Exemplar Products Pty Ltd and is protected by copyright worldwide. Unauthorised use and reproduction is strictly prohibited. All rights reserved.

Every effort has been made to ensure that the information in this document is accurate. Swivelpole Pty Ltd and or Exemplar Products Pty Ltd are not responsible for printing or clerical errors.

The Maxis™ Joint and Swivelpole™ product range is protected by patents and registered designs worldwide. All rights reserved.

ACCESS MADE EASY.