

User Guide



Swivelpole's Maxis™ Complete Pole Solutions

OVERVIEW

This guide is applicable for all Swivelpole's Maxis™ complete pole solutions - stanchion (S), structure (ST), floor (F) and wall/column mount (C).

This guide should be followed to ensure the Swivelpole™ is assembled and installed safely and correctly, and should be followed in conjunction with onsite work procedures, safety rules and regulations. Two orange plastic inserts are supplied and required only when purchasing a standalone Maxis™ joint.

This product must be installed in accordance with the applicable installation code by a person familiar with the construction and operation of the product and the hazards involved.

Drawings: Copies of client drawings are available online at swivelpole.com

Ordering: Please email sales@swivelpole.com

Copyright and Patent: The Swivelpole™ and Maxis™ product range is protected worldwide by patents and registered designs owned by Swivelpole Europe B.V., Swivelpole Group (USA) LLC, Swivelpole (CA) Ltd, Swivelpole Australia Pty Ltd and Exemplar Products Pty Ltd.

INSTALLING THE POLE BASE

Step 1

- Install the pole base to required position on chosen structure, i.e. stanchion (Fig 1), structure or floor, using appropriate mounting brackets where applicable (mounting brackets available from Swivelpole™).
- Ensure the pole base extends 1.97in [50mm] above the handrail.
- Note: 3.54in [90mm] clearance is required above the top bracket.
- Fit orange plastic insert into the pole base. (Fig 2)
- For column/wall mounting, refer to client drawing. T-boxes can be installed during Step 1.

Fig 1

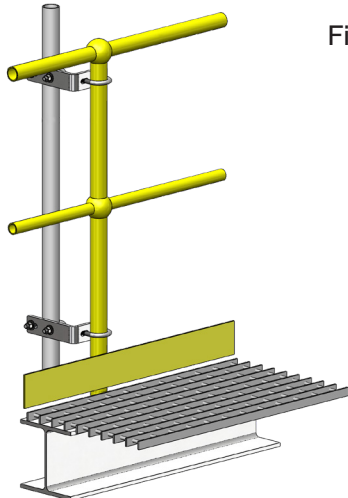
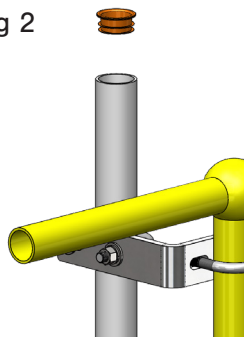


Fig 2



INSTALLING THE MAXIS™ JOINT

Step 2

- Position the Maxis™ joint onto the pole base (Fig 3).
- Adjust the Maxis™ joint to desired direction and tighten bottom grub screws firmly. (Fig 3)
- Loosen the four bolts by one full turn only.
- Swivel the Maxis™ joint to lowered position. Readjust direction if necessary. (Fig 4)

Fig 3

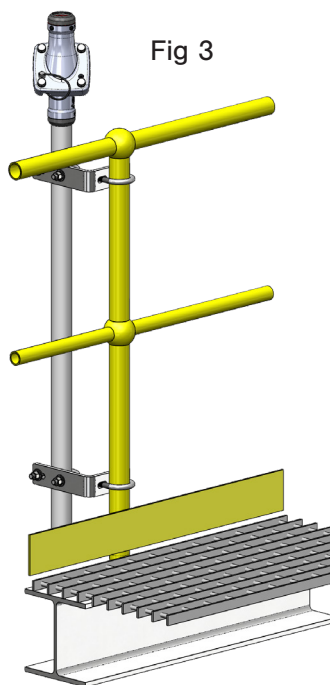
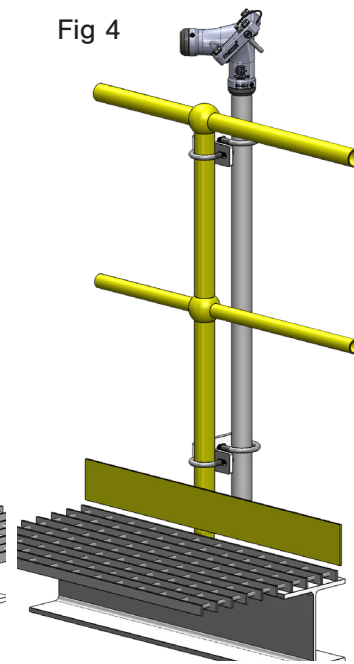


Fig 4



User Guide

Swivelpole's Maxis™ Complete Pole Solutions

INSTALLING THE POLE TOP

Step 3

- Fit second orange plastic insert into the pole top.
- Feed the cable through the pole top.
- Install light fixture onto pole top as per manufacturer instructions. Note: Cable can be terminated off site.
- One person holds the pole top horizontally while the second person feeds the cable through the Maxis™ joint into the pole base.
- Slip the pole top into the Maxis™ joint. (Fig 5)
- Tighten top grub screws firmly.

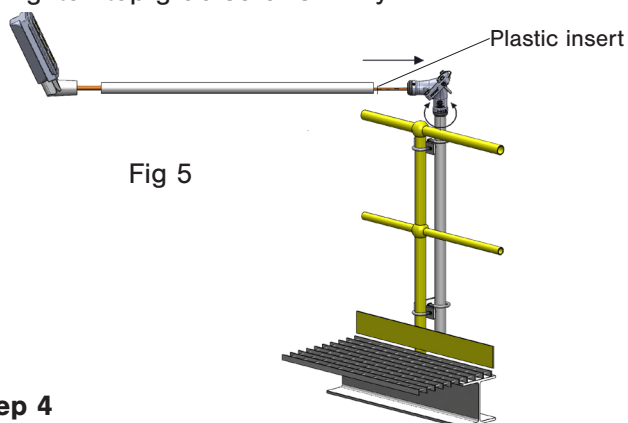


Fig 5

Step 4

- Swivel pole top to full height and insert safety pin.
- If required, the lowering position can be altered at this stage. If altering is required, loosen the bottom grub screws, reposition the direction and re-tighten grub screws firmly. Check lowering direction again, tighten bottom grub screws fully, refer torque settings.

ADJUSTING AND COMPLETING INSTALLATION

Step 5

- With pole top in upright position, check that the fixture is facing in the desired direction.
- If adjustment is required, loosen the top grub screws and rotate the pole top. (Fig 6)
- Tighten grub screws fully, refer torque settings.

Step 6

- Tighten the bolts evenly and alternately whilst ensuring the pole top is straight by manoeuvring vertically. (Fig 7)
- Fully tighten the bolts to complete the installation.
- Ensure all fasteners are tightened to the correct torque settings.
- Connect the bottom cable termination.

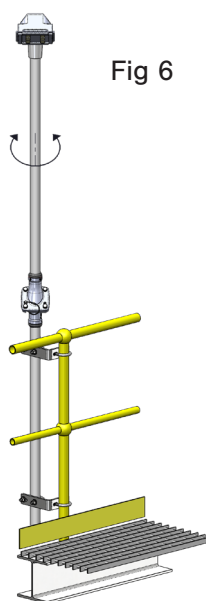


Fig 6

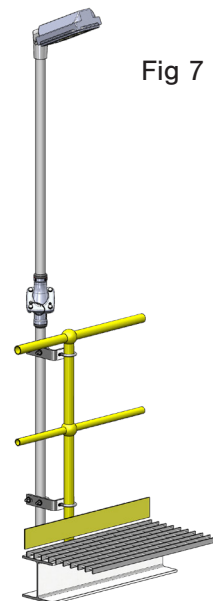


Fig 7

OPERATION

TO LOWER POLE TOP

- Ensure safety pin is inserted.
- Loosen joint bolts by one full turn only.
- Whilst holding the pole top with one hand, withdraw the safety pin and lower the pole top to a comfortable working position.
- Re-insert safety pin.

TO RAISE POLE TOP

- Withdraw safety pin.
- Raise the pole top, guiding it as it swivels to the upright position.
- Re-insert safety pin.
- Tighten the bolts evenly and alternately whilst ensuring the pole top is straight by manoeuvring vertically. Tighten joint bolts fully, refer torque settings.

JOINT ORIENTATION

Maxis™ joint allows clockwise or anti-clockwise orientation at any degree from the guardrail. With lowering operation to either side to clear any obstruction.

TOOL REQUIREMENTS

- 19mm spanner
- 5mm Allen Key (6mm for DN65)

RECOMMENDED TORQUE SETTINGS

- Grub screws: 22ft-lb [30Nm] to 25ft-lb [34Nm] (37ft-lb [50Nm] to 44ft-lb [60Nm] for DN65)
- Joint bolts: 48ft-lb [65Nm] to 55ft-lb [70Nm]