

G5 Giraffe Pole™ | Technical Instruction Guide

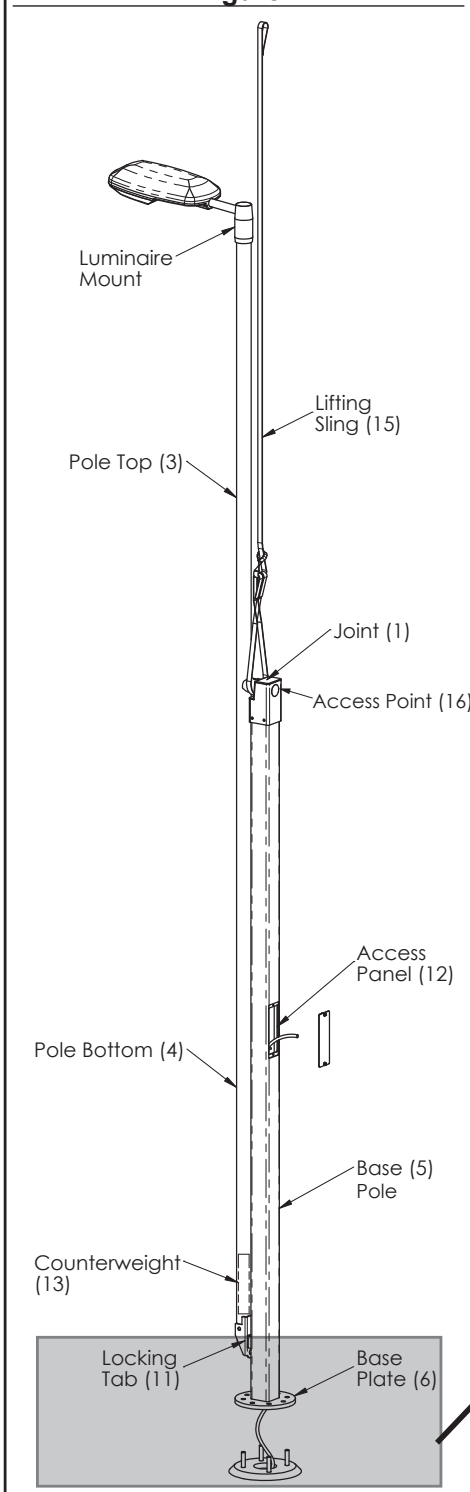
NOTE: This Guide should be followed in conjunction with your own worksite Procedures, Safety Rules and Regulations to ensure the G5 Giraffe Pole™ is assembled and installed, safely and correctly to optimise its performance.

This Installation Guide refers to Figure 1 and Figure 2

- If applicable, check that the Counterweight (13) is securely fastened within the Pole Bottom (4).
- The Interlocking Mechanism (Figure 2) is fastened to the Base Pole (5). See CAUTION NOTE.

For more information, please contact sales@swivelpole.com

Figure 1



1.0 Installation

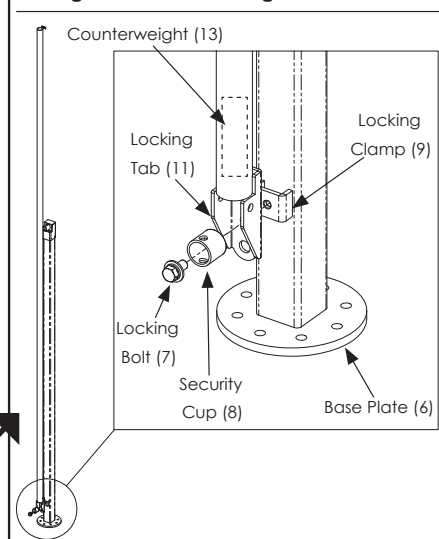
NOTE:

- The G5 Giraffe Pole™ comes assembled apart from the access point cap and LMK (Luminaire Mounting Kit).
- The G5 Giraffe Pole™ is pre-configured according to the original fixture specifications given at the time of ordering and may have a Counterweight (13) embedded within the Pole Bottom (4).
- Any changes/modifications to the fixture attachment must be made in consultation with Swivelpole™. Failure to consult with Swivelpole™ prior to changes, may result in damage to property or injury and will void any warranty or liability.
- Licensed crane and rigging operators should be used to erect the pole onto the Foundation Anchors.

- 1.1 Before erecting the pole, the cable should be fed through from top of the pole to the Access Panel (12). An Access Point (16) is located at the joint to help with this process.
- 1.2 Once cable is installed, insert plastic plug into Access Point (16).
- 1.3 Tie a rope to the Pole Top (3) before lifting into position.
- 1.4 Attach a suitable Lifting Sling (15) around the Joint (1).
- 1.5 Whilst lifting into position, orientate the Base Pole (5) so that the Access Panel (12) is in the desired position. As the pole is lowered, the electrical cable should be fed through the pole base plate (6) to the Access Panel (12).
- 1.6 Using a spirit level align the base pole so it is vertical and tighten bolts. Lower the crane and detach the Lifting Sling (15).
- 1.7 To install fixtures and equipment attach the Guide Rope (14) to the Locking Tab (11).
- 1.8 Unscrew and remove the Locking Bolt (7) and Security Cup (8).
- 1.9 Lower the Pole Top (3) by pulling the Pole Top Guide Rope and tie off to Base Pole (5).
- 1.10 Fixtures and Equipment can now be attached and terminated.
- 1.11 Remove Pole Top Guide Rope to complete installation.

To raise, please see 2.0 Operation section below.

Figure 2: Interlocking Mechanism



CAUTION NOTE

The Locking Clamp (9) and Locking Bolts (7) **MUST** be firmly secured before standing the G5 Giraffe Pole™ onto the Foundation Anchors.

G5 Giraffe Pole™ | Technical Instruction Guide

NOTE: This Guide should be followed in conjunction with your own worksite Procedures, Safety Rules and Regulations to ensure the G5 Giraffe Pole™ is assembled and installed, safely and correctly to optimise its performance.

This Operation Guide refers to Figure 1 and Figure 2. It is based on the G5 Giraffe Pole™ being assembled and installed as per Guide 1.0 and 2.0:

- If applicable, check that the Counterweight (13) is securely fastened within the Pole Bottom (4). See CAUTION NOTE.

For more information, please contact sales@swivelpole.com

2.0 Operation

To Lower:

- 2.1 Attach the Guide Rope (14) to the Locking Tab (11).
- 2.2 Unscrew and remove the Locking Bolt (7) and Security Cup (8).
- 2.3 While holding the Guide Rope (14), lower the Pole Top (3) to the maintenance position.

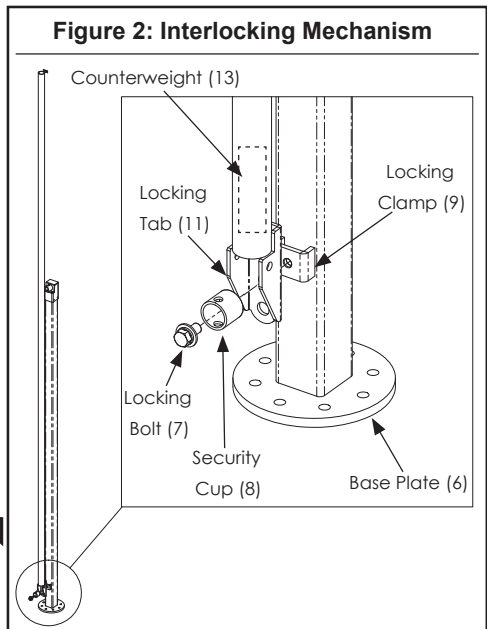
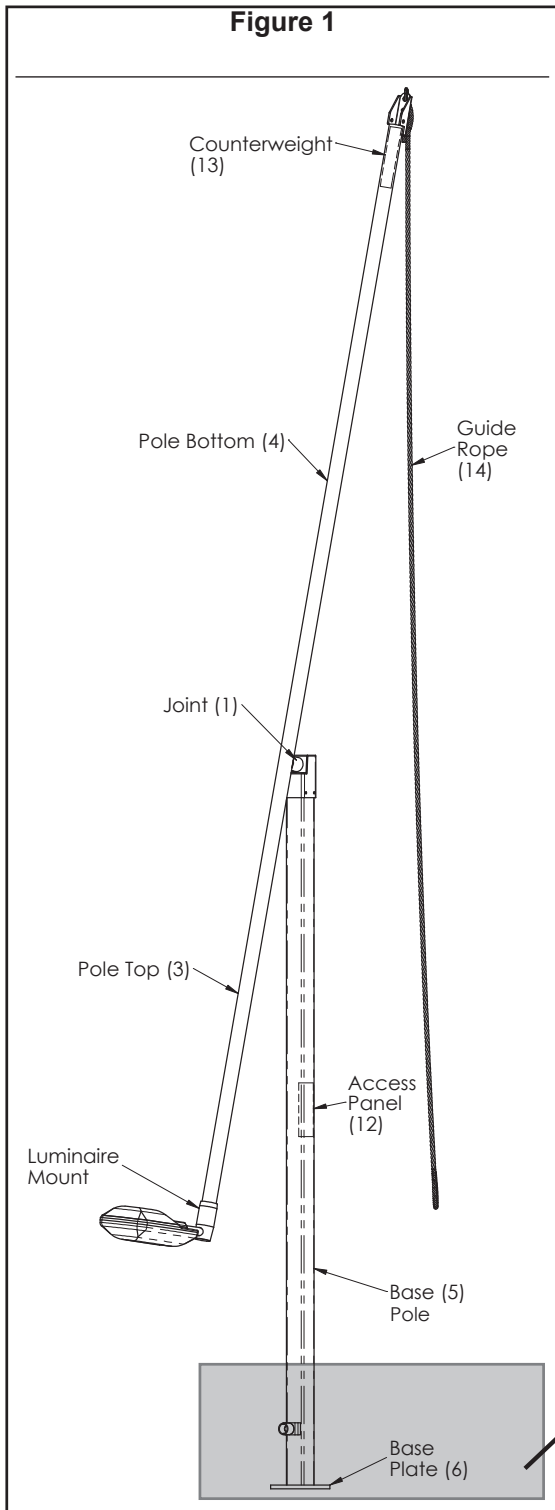
To Raise:

- 2.4 Pull the Guide Rope (14) to raise the pole into the vertical position.
- 2.5 Secure the Pole Bottom (4) by re-fastening the Security Cup (8) and Locking Bolt (7).
- 2.6 A padlock can also be locked on for further tamper proofing.

The Guide Rope (not supplied) (14):

Swivelpole™ recommends the use of 16mm rope with a suitable carabiner.

NOTE: The G5 Giraffe Pole™ lowers and raises in a 180° single plane motion in either direction.



⚠ CAUTION NOTE

If applicable, the Counterweight (13) is secured by a bolt and with washer marked "Caution Do Not Remove". Any change to the Counterweight will effect operation so it should not be made without prior consultation with Swivelpole™.