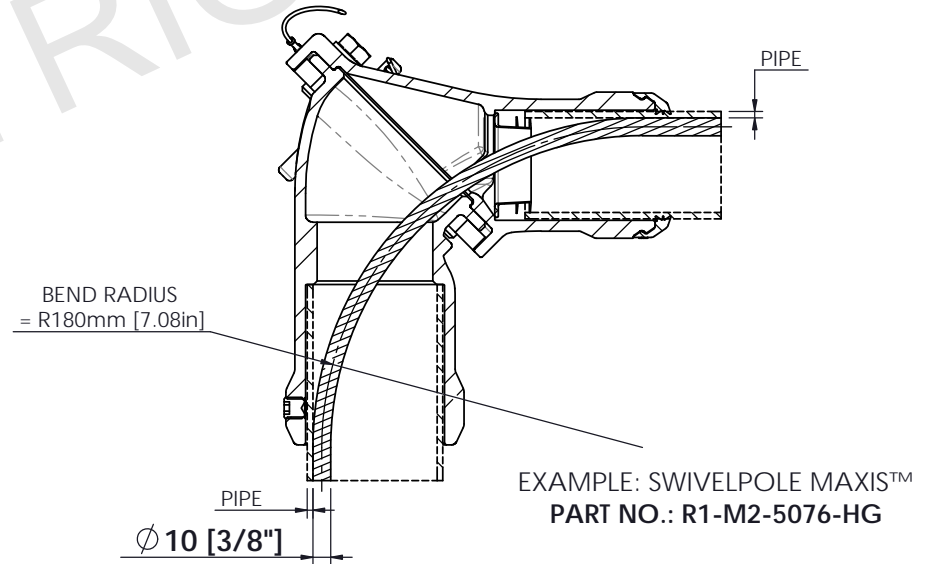
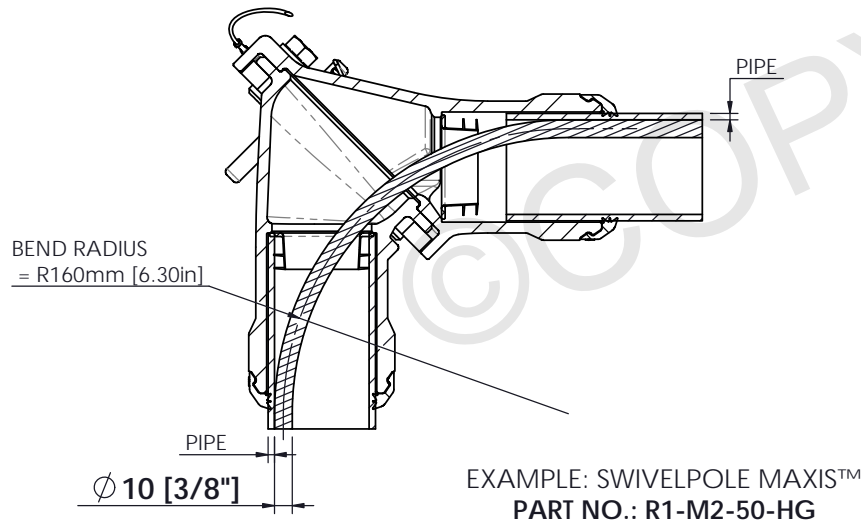
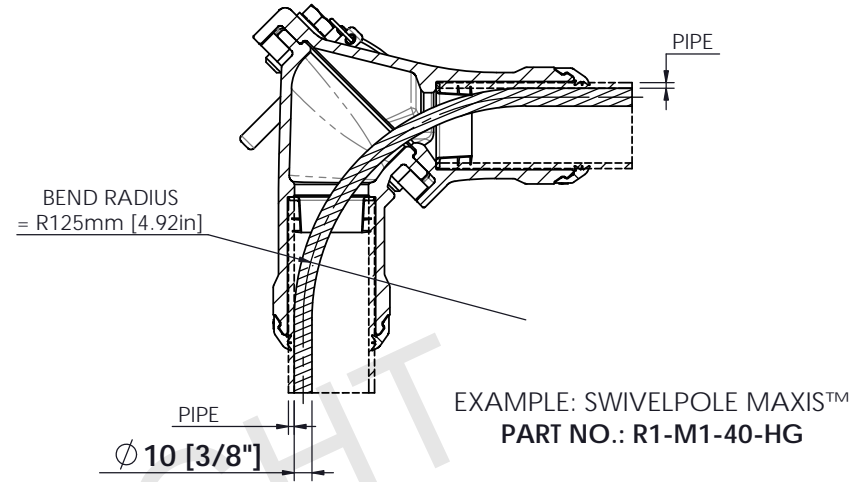
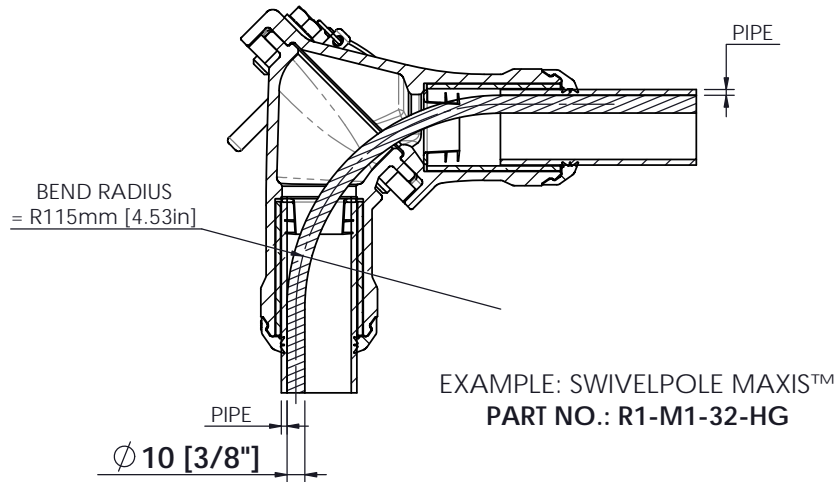


Maxis™ Cable Bending Radius shown in the lowered orientation



Scan Code with QR Reader app for more Swivelpole™ Light Mount Product Information

PATENTED PRODUCTS

www.swivelpole.com

Swivelpole

This document is the property of and protected by copyright owned by Swivelpole Group Pty Ltd. The designs and other information embodied in this document comprise confidential information of Swivelpole Group Pty Ltd and form part of products covered by international patents and registered designs including US patent No 6957832. Unauthorised use, reproduction and disclosure are strictly prohibited. This document must not be removed from the premises of the licensed user of this document without Swivelpole Group Pty Ltd's prior approval. (RQ2152 - 24/7/25)

ALL DIMENSIONS ARE IN MILLIMETERS	PROJECT	SERIES / CODE	PART NUMBER
	SWIVELPOLE™	Maxis™	As Noted
DRAWN BY	KM	DATE	07/02/21
CHECKED BY	AI	DATE	07/02/21
APPROVED BY	RP	DATE	07/02/21
THIRD ANGLE PROJECTION	SCALE		1:5
TITLE			Swivelpole™ Maxis™ M1 & M2 Ø10mm - Cable Bend Radius Client Detail
DRG No			C-M1-M2-DIA10-CABLE BEND RADIUS (TQ2832)
REV			1
A3			